



RFFM8211

Wi-Fi Front End Module

Product Overview

The Qorvo® RFFM8211 is an integrated front end module (FEM) designed for Wi-Fi 802.11b-ac and Bluetooth® systems. The ultra-small form factor and integrated matching minimizes layout area in the application.

Performance is focused on optimizing the PA for a supply voltage range from 4.2 to 3V that balances linear performance vs a voltage drop inherent in battery operated systems. Capable for 5V operation as well . A low loss path for bi-directional transmit and receive of Bluetooth® is integrated in.

Integrated die level filtering for 2nd and 3rd harmonics as well as 5 GHz rejection for DBDC operation are included.

The RFFM8211 integrates a 2.4 GHz power amplifier (PA), regulator, single pole three throw switch (SP3T), bypassable low noise amplifier (LNA) and DC power detector into a single device

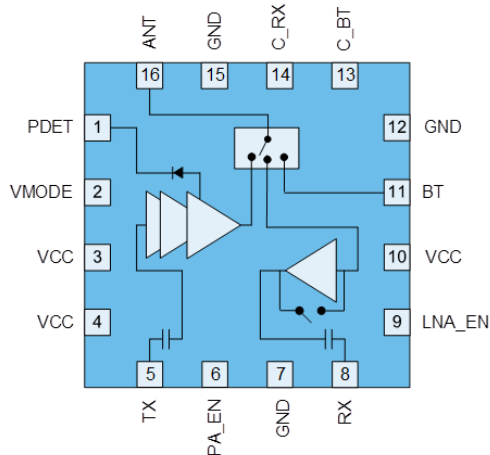


16 Pin 2.5x2.5mm QFN Package

Key Features

- 2412-2484 MHz
- $P_{OUT} = +19\text{dBm}$ MCS9 VHT40 -35dB Dynamic EVM
- $P_{OUT} = +20\text{dBm}$ MCS7 HT20 -30dB Dynamic EVM
- $P_{OUT} = +22\text{dBm}$ 11b Spectral Mask Compliance
- Optimized for +3.6 V Operation
- Capable from <3.3 to 5V Operation
- 27 dB Tx Gain
- 2.5 dB Noise Figure
- 12 dB Rx Gain & 6 dB Bypass Loss
- Low Power Mode Available
- Integrated DC Power Detector

Functional Block Diagram



Top View

Applications

- Mobiles Devices
- Consumer Electronics
- Gaming
- Access Points
- Wireless Routers
- Residential Gateways
- Customer Premise Equipment
- Internet of Things

Ordering Information

Part Number	Description
RFFM8211SB	Sample bag with 5 pieces
RFFM8211SQ	Sample bag with 25 pieces
RFFM8211SR	7" reel with 100 pieces
RFFM8211TR7	7" reel with 2,500 pieces
RFFM8211PCK-410	Assembled Eval Board (3.6V) + 5 pcs
RFFM8211PCK-411	Assembled Eval Board (5V) + 5 pcs



RFFM8211

Wi-Fi Front End Module

Handling Precautions

Parameter	Rating	Standard
ESD – Human Body Model (HBM)	Class 1C (1kV)	ANSI/ESD/JEDEC JS-001
ESD – Charged Device Model (CDM)	Class C3 (1kV)	JESD22-C101
MSL – Moisture Sensitivity Level	Level 2	IPC/JEDEC J-STD-020



Caution!

ESD sensitive device

Solderability

Compatible with both lead-free (260 °C max. reflow temperature) and tin/lead (245 °C max. reflow temperature) soldering processes.

Package lead plating: Electrolytic Ni/Pd/AU

RoHS Compliance

This part is compliant with the 2011/65/EU RoHS directive (Restrictions on the Use of Certain Hazardous Substances in Electrical and Electronic Equipment), as amended by Directive 2015/863/EU.

This product also has the following attributes:

- Lead free
- Halogen Free (Chlorine, Bromine)
- Antimony Free
- TBBP-A (C₁₅H₁₂Br₄O₂) Free
- SVHC Free



Contact Information

For the latest specifications, additional product information, worldwide sales and distribution locations:

Web: www.qorvo.com

Tel: 1-844-890-8163

Email: customer.support@qorvo.com

Important Notice

The information contained herein is believed to be reliable; however, Qorvo makes no warranties regarding the information contained herein and assumes no responsibility or liability whatsoever for the use of the information contained herein. All information contained herein is subject to change without notice. Customers should obtain and verify the latest relevant information before placing orders for Qorvo products. The information contained herein or any use of such information does not grant, explicitly or implicitly, to any party any patent rights, licenses, or any other intellectual property rights, whether with regard to such information itself or anything described by such information. **THIS INFORMATION DOES NOT CONSTITUTE A WARRANTY WITH RESPECT TO THE PRODUCTS DESCRIBED HEREIN, AND QORVO HEREBY DISCLAIMS ANY AND ALL WARRANTIES WITH RESPECT TO SUCH PRODUCTS WHETHER EXPRESS OR IMPLIED BY LAW, COURSE OF DEALING, COURSE OF PERFORMANCE, USAGE OF TRADE OR OTHERWISE, INCLUDING THE IMPLIED WARRANTIES OF MERCHANTABILITY AND FITNESS FOR A PARTICULAR PURPOSE.**

Without limiting the generality of the foregoing, Qorvo products are not warranted or authorized for use as critical components in medical, life-saving, or life-sustaining applications, or other applications where a failure would reasonably be expected to cause severe personal injury or death.

Copyright 2018 © Qorvo, Inc. | Qorvo is a registered trademark of Qorvo, Inc.

X-ON Electronics

Largest Supplier of Electrical and Electronic Components

Click to view similar products for [RF Front End](#) category:

Click to view products by [Qorvo](#) manufacturer:

Other Similar products are found below :

[SE2622L-R](#) [BGM1032N7E6327XUSA1](#) [LX5586LL](#) [SKY85703-11](#) [LX5586HLL](#) [LX5586ALL](#) [SKY66111-21](#) [SKY65728-11](#) [SKY68000-31](#)
[SKY85308-11](#) [SKY85302-11](#) [SKY65724-11](#) [ADTR1107ACCZ](#) [LMP91051MTX/NOPB](#) [SE5501L-R](#) [QPF4519SR](#) [SE5503A-R](#)
[ADA8282WBCPZ](#) [ADRF5545ABCPZN](#) [ADRF5545ABCPZN-R7](#) [AD8283WBCPZ](#) [AD8284WCSVZ](#) [ADRF5547BCPZN](#)
[ADRF5547BCPZN-R7](#) [ADRF5549BCPZN](#) [ADRF5549BCPZN-R7](#) [HV7350K6-G](#) [SE5516A-R](#) [MCP2030-I/SL](#) [MAX2009ETI+](#)
[MAX2078CTK+](#) [MAX2335ETI+](#) [MAX2678GTB/V+T](#) [MD2131K7-G](#) [MD2134K7-G](#) [RFFM6903TR13](#) [HV7351K6-G](#) [MCP2035-I/ST](#)
[SE2614BT-R](#) [SE2438T-R](#) [SST12LF02-QXCE](#) [SST12LF09-Q3CE](#) [RFX2401C](#) [RFX2402E](#) [SKY85201-11](#) [RFFM4591FTR7](#) [RFFM8211TR7](#)
[RFFM4293TR7](#) [RFFM4203TR7](#) [RFFM5765QTR7](#)