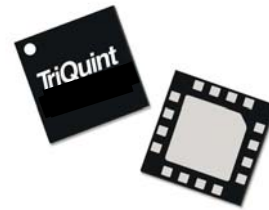


Applications

- IEEE802.11a/n/ac Wireless LAN Systems
- Set Top Box
- Access Points
- Telematics
- Gaming and Infotainment
- Portable Devices

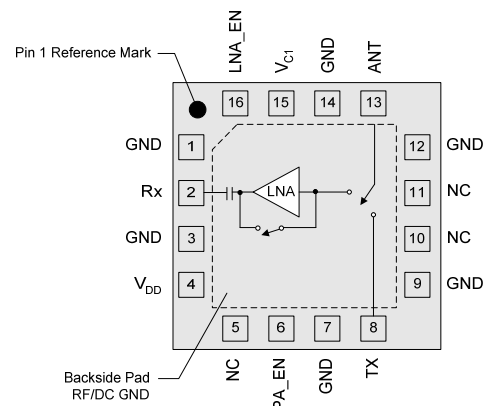
Product Features

- Fully Integrated, SPDT Switch and Bypass LNA
- Internally Matched Input / Output
- 2.5 dB Noise Figure
- 13 dB Rx Gain
- Lead-free / RoHS Compliant



16 Pin 2.5 x 2.5 mm QFN Package

Functional Block Diagram



General Description

The TQL1600 is a highly integrated WLAN front-end module designed for 802.11a/n/ac applications. The TQL1600 contains a low noise amplifier (LNA) with bypass mode and a transmit/receive switch.

The architecture and interface are optimized for next generation WLAN integration into high throughput 802.11ac devices providing outstanding stable performance across temperature and voltage range.

The TQL1600 is manufactured using TriQuint's high-reliability E/D pHEMT technology and is assembled in an ultra thin profile 16 pin 2.5 x 2.5 x 0.45 mm Pb-free QFN package.

Pin Configuration

Pin No.	Label
1, 3, 7, 9, 12, 14	GND
2	Rx
4	V _{DD}
5, 10, 11	NC
6	PA_EN
8	Tx
13	ANT
15	V _{C1}
16	LNA_EN
Backside Pad	RF/DC Ground

Ordering Information

Part No.	Description
TQL1600	5 GHz WLAN Switch/LNA FEM
TQL1600-EVB	Evaluation Board

Standard T/R size = 2500 pieces on a 7" reel

X-ON Electronics

Largest Supplier of Electrical and Electronic Components

Click to view similar products for [RF Front End](#) category:

Click to view products by [Qorvo](#) manufacturer:

Other Similar products are found below :

[SE2622L-R](#) [BGM1032N7E6327XUSA1](#) [LX5586LL](#) [LX5586HLL](#) [LX5586ALL](#) [SKY66111-21](#) [SKY65728-11](#) [SKY68000-31](#) [SKY85308-11](#)
[SKY85302-11](#) [SKY65724-11](#) [ADTR1107ACCZ](#) [LMP91051MTX/NOPB](#) [SE5501L-R](#) [QPF4519SR](#) [SE5503A-R](#) [ADA8282WBCPZ](#)
[ADRF5545ABCPZN](#) [ADRF5545ABCPZN-R7](#) [AD8283WBCPZ](#) [AD8284WCSVZ](#) [ADRF5547BCPZN](#) [ADRF5547BCPZN-R7](#)
[ADRF5549BCPZN](#) [ADRF5549BCPZN-R7](#) [HV7350K6-G](#) [SE5516A-R](#) [MCP2030-I/SL](#) [MAX2009ETI+](#) [MAX2078CTK+](#) [MAX2335ETI+](#)
[MAX2678GTB/V+T](#) [MD2131K7-G](#) [MD2134K7-G](#) [RFFM6903TR13](#) [HV7351K6-G](#) [MCP2035-I/ST](#) [SE2614BT-R](#) [SE2438T-R](#) [SST12LF02-QXCE](#) [SST12LF09-Q3CE](#) [RFX2401C](#) [RFX2402E](#) [SKY85201-11](#) [RFFM4591FTR7](#) [RFFM8211TR7](#) [RFFM4293TR7](#) [RFFM4203TR7](#)
[RFFM5765QTR7](#) [RFFM8200TR7](#)