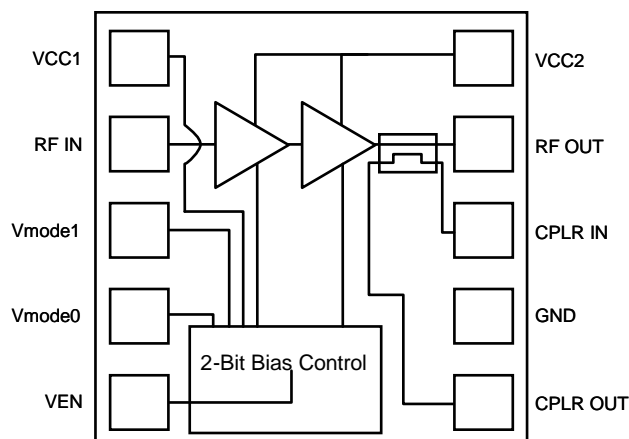


Multi-mode (WCDMA B5 / CDMA BC0 / HSPA+ / LTE) 3x3mm PA Module

Functional Block Diagram



Product Description

The TQM716015 is fully matched Power Amplifier Module designed for use in CDMA (BC0), WCDMA (Bands 5&6) and LTE handsets. Its compact 3x3mm package including a coupler and built-in voltage regulator makes it ideal for today's extremely small data enabled phones. Its RF performance meets the stringent linearity requirements for multi-mode operation.

The TQM716015 is designed on TriQuint's GaAs BiHEMT technology with CuFlip® assembly offering state of the art reliability, temperature stability and ruggedness. The 3-Gain state PA die operates in LPM, MPM and HPM to maximize talk time over the entire range of operating conditions. To simplify the cost/time of calibration while in production the TQM716015 can be used in 1-bit operation; either LPM/HPM with only 3.5mA of IcQ up to +13dBm in LPM, or MPM/HPM with 11mA of IcQ up to +17dBm in MPM.

Electrical Specifications

Parameter	Typ	Units
Frequency	836	MHz
WCDMA mode maximum Pout ¹	28.3	dBm
LPM Quiescent Current	3.5	mA
ACLR5	-41	dBc
ACLR10	-56	dBc
Power Supply Current @ 28.3dBm	510	mA
Rx Band Noise	-132	dBm/Hz

Note 1: Test Conditions WCDMA REL99 Test Mode: V_{CC}=3.4VDC, V_{EN}=HIGH, T_c=25°C

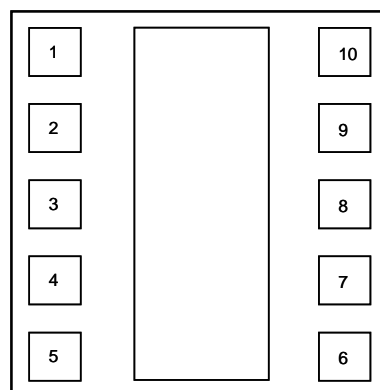
Features

- GaAs BiHEMT / CuFlip® PA Technology
- Typical Quiescent Current values:
LPM: 3.5 mA
MPM: 11 mA
HPM: 80 mA
- Excellent Linearity in all modes
- Excellent Phase Discontinuity
- Integrated high performance coupler
- Built-in voltage regulator functionality eliminating any external switch circuitry
- Small 10-pin, 3x3mm module
- Lead-free 260°C / RoHS / Halogen-free
- Full ESD protection

Applications

- WCDMA B5 Applications
- CDMA2000 Cellular (BC0) Applications
- HSDPA/HSUPA/HSPA+ Applications
- LTE-Compatible Applications

Package Style



10-Pin Laminate Module
Top View (through package)

Data Sheet

For additional information and latest specifications, see our website: www.triquint.com
Revision N, August 08, 2012



X-ON Electronics

Largest Supplier of Electrical and Electronic Components

Click to view similar products for [RF Amplifier](#) category:

Click to view products by [Qorvo](#) manufacturer:

Other Similar products are found below :

[A82-1](#) [BGA622H6820XTSA1](#) [BGA 728L7 E6327](#) [BGB719N7ESDE6327XTMA1](#) [HMC397-SX](#) [HMC405](#) [HMC561-SX](#) [HMC8120-SX](#)
[HMC8121-SX](#) [HMC-ALH382-SX](#) [HMC-ALH476-SX](#) [SE2433T-R](#) [SMA3101-TL-E](#) [SMA39](#) [A66-1](#) [A66-3](#) [A67-1](#) [LX5535LQ](#) [LX5540LL](#)
[MAAM02350](#) [HMC3653LP3BETR](#) [HMC549MS8GETR](#) [HMC-ALH435-SX](#) [SMA101](#) [SMA32](#) [SMA411](#) [SMA531](#) [SST12LP17E-XX8E](#)
[SST12LP19E-QX6E](#) [WPM0510A](#) [HMC5929LS6TR](#) [HMC5879LS7TR](#) [HMC1126](#) [HMC1087F10](#) [HMC1086](#) [HMC1016](#) [SMA1212](#)
[MAX2689EWS+T](#) [MAAMSS0041TR](#) [MAAM37000-A1G](#) [LTC6430AIUF-15#PBF](#) [CHA5115-QDG](#) [SMA70-2](#) [SMA4011](#) [A231](#) [HMC-](#)
[AUH232](#) [LX5511LQ](#) [LX5511LQ-TR](#) [HMC7441-SX](#) [HMC-ALH310](#)