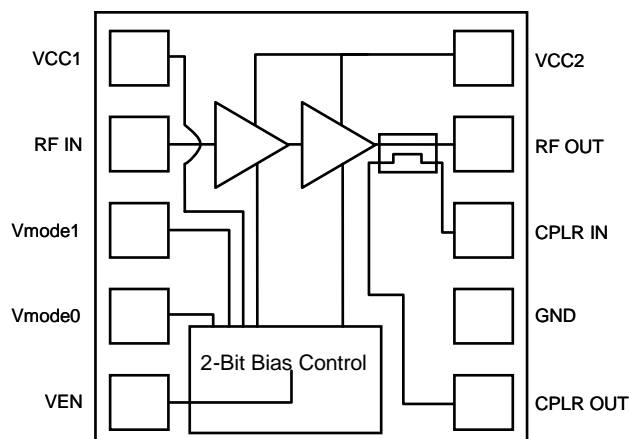


**Multi-mode (WCDMA B1 / CDMA BC6 / HSPA+ / LTE) 3x3mm PA Module**

**Functional Block Diagram**



**Product Description**

The TQM776011 is fully matched Power Amplifier Module designed for use in WCDMA UMTS Band 1, CDMA BC6 (IMT) & LTE handsets. Its compact 3x3mm package including a coupler and built-in voltage regulator makes it ideal for today's extremely small data enabled phones. Its RF performance meets the stringent linearity requirements for multi-mode operation.

The TQM776011 is designed on TriQuint's GaAs BiHEMT technology with CuFlip® assembly offering state of the art reliability, temperature stability and ruggedness. The 3-Gain state PA die operates in LPM, MPM and HPM to maximize talk time over the entire range of operating conditions. To simplify the cost/time of calibration while in production the TQM776011 can be used in 1-bit operation; either LPM/HPM with only 4mA of IcQ up to +13dBm in LPM, or MPM/HPM with 9mA of IcQ up to +17dBm in MPM.

**Electrical Specifications**

Parameter	Typ	Units
Frequency	1950	MHz
WCDMA mode maximum Pout <sup>1</sup>	28.25	dBm
LPM Quiescent Current	4	mA
ACLR5	-41	dBc
ACLR10	-57	dBc
Power Supply Current @ 28.25dBm	490	mA
Rx Band Noise	-140	dBm/Hz

Note 1: Test Conditions WCDMA Rel99 Test Mode: V<sub>CC</sub>=3.4VDC, V<sub>EN</sub>=HIGH, T<sub>C</sub>=25°C

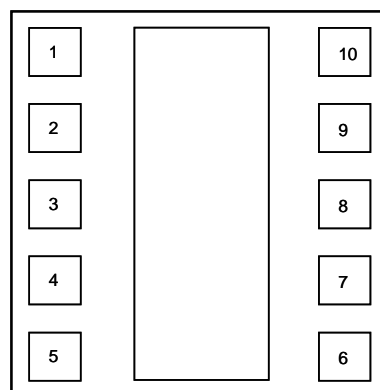
**Features**

- GaAs BiHEMT / CuFlip® PA Technology
- Typical Quiescent Current values:  
LPM: 4 mA  
MPM: 9 mA  
HPM: 90 mA
- Excellent Linearity in all modes
- Excellent Phase Discontinuity
- Integrated high performance coupler
- Built-in voltage regulator functionality eliminating any external switch circuitry
- Small 10-pin, 3x3mm module
- Lead-free 260°C / RoHS / Halogen-free
- Full ESD protection

**Applications**

- WCDMA B1 Applications
- CDMA2000 IMT (BC6) Applications
- HSDPA/HSUPA/HSPA+ Applications
- LTE-Compatible Applications

**Package Style**



10-Pin Laminate Module  
Top View (through package)

**Datasheet**

For additional information and latest specifications, see our website: [www.triquint.com](http://www.triquint.com)  
Revision Q, August 08, 2012



## X-ON Electronics

Largest Supplier of Electrical and Electronic Components

*Click to view similar products for [RF Modules](#) category:*

*Click to view products by [Qorvo](#) manufacturer:*

Other Similar products are found below :

[SIMSA868-PRO](#) [SIMSA915C-PRO](#) [SIMSA868C-PRO](#) [SIMSA433C-PRO](#) [SIMSA915-PRO](#) [AM-RX12A-433P](#) [SIMSA868C-N-PRO](#)  
[SIMSA433C-N-PRO](#) [SIMSA915C-N-PRO](#) [2221706-1](#) [RAD-900-DAIO6](#) [S2-107XB-Z2356-Z2352](#) [G510-Q50-50-00](#) [RFM6501W-868S2](#)  
[650201000G](#) [650200808G](#) [650201421G](#) [IQD-GW-02](#) [MAMWLE01](#) [RC-SPIRIT2-433](#) [RC-SPIRIT2-868](#) [DL-RFM69HC-433M](#) [DL-](#)  
[RFM69HC-868M](#) [DL-RFM69HC-915M](#) [ECC961613EU](#) [E01C-ML01SP2](#) [H330 A30-00](#) [RC-CC1101-SPI-868](#) [RC-CC1101-SPI-SMT-434](#)  
[RC-CC1101-SPI-SMT-868](#) [RC-CC1310-868](#) [RCQ2-434](#) [RCS1K-868](#) [RCTX-434](#) [RCTX-434-L](#) [CTU-D2R](#) [CTU-D5N](#) [RFM02 868D](#)  
[RFM02 868S2](#) [RFM110-433S1](#) [RFM119S-433S1](#) [RFM119W-433S1](#) [RFM12B-433S1P](#) [RFM12B-868DP](#) [RFM210LCF-433S1](#) [RFM219SW-](#)  
[868S1](#) [RFM23B-868-D](#) [RFM31B-433-S2](#) [RFM42B-868-D](#) [RFM98PW-433S2](#)