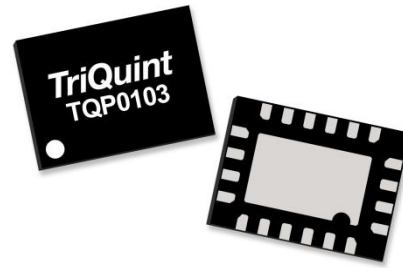


Applications

- W-CDMA / LTE
- Macrocell Base Station Driver
- Microcell Base Station
- Small Cell
- Active Antenna
- General Purpose Applications

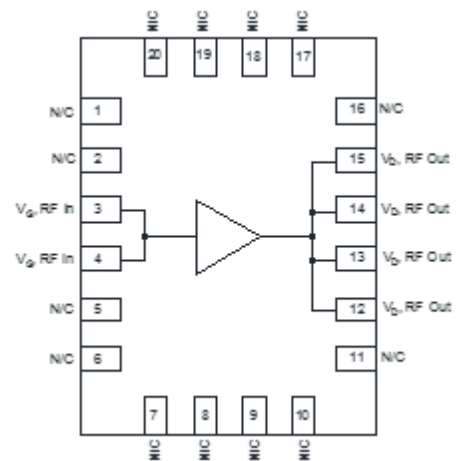


20 Pin 3x4mm QFN

Product Features

- Operating Frequency Range: DC to 4 GHz
- Output Power (P_{SAT}): 15 W
- Drain Efficiency: 64%
- Linear Gain: 19 dB
- Package Dimensions: 3 x 4 x 0.85 mm

Functional Block Diagram



General Description

The TQP0103 is a wide band over-molded QFN discrete power amplifier. The device is a single stage unmatched power amplifier transistor.

The TQP0103 can be used in Doherty architecture for the final stage of a base station power amplifier for small cell, microcell, and active antenna systems. The TQP0103 can also be used as a driver in a macrocell base station power amplifier.

The wide bandwidth of the TQP0103 makes it suitable for many difference applications from DC to 4 GHz. TQP0103 can deliver P_{SAT} of 15 W at 28 to 32 V operation.

Lead-free and ROHS compliant.

Pin Configuration

Pin No.	Label
1-2, 5-11, 16-20	N/C
3-4	RF IN, V_G
12-15	RF OUT, V_D
Backside Paddle	RF/DC GND

Ordering Information

Part No.	ECCN	Description
TQP0103	EAR99	15 W, DC to 4 GHz, GaN PA
TQP0103-PCB	EAR99	2.5-2.7 GHz Evaluation Board

Absolute Maximum Ratings

Parameter	Rating
Gate Voltage (V_G)	-6 V
Drain Voltage (V_D)	+40 V
Peak RF Input Power	32 dBm
VSWR Mismatch, P1dB Pulse (20% duty cycle, 100 μ s width), T = 25°C	10:1
Storage Temperature	-65 to +150°C

Operation of this device outside the parameter ranges given above may cause permanent damage.

Recommended Operating Conditions

Parameter	Min	Typ	Max	Units
Operating Temperature	-40		+105	°C
Gate Voltage (V_G)		-2.9		V
Drain Voltage (V_D)		32		V
Quiescent Current (I_{CQ})		70		mA
T_{CH} for >10 ⁶ hours MTTF			225	°C

Electrical performance is measured under conditions noted in the electrical specifications table. Specifications are not guaranteed over all recommended operating conditions.

Electrical Specifications

Test conditions unless otherwise noted: $V_G = -3.03$ V, $V_D = 32$ V, $I_{CQ} = 70$ mA, T = 25°C. 2.6 GHz single-ended applications circuit

Parameter	Conditions	Min	Typ	Max	Units
Frequency Range		DC		4000	MHz
Quiescent Current		60	70	80	mA
Linear Gain	$P_{OUT} = 30$ dBm, Pulsed (10% duty cycle, 100 μ s width)	17	19		dB
P3dB	Pulsed (10% duty cycle, 100 μ s width)	41.2	42		dBm
Drain Efficiency	P3dB	60	64		%
Input Return Loss			14		dB

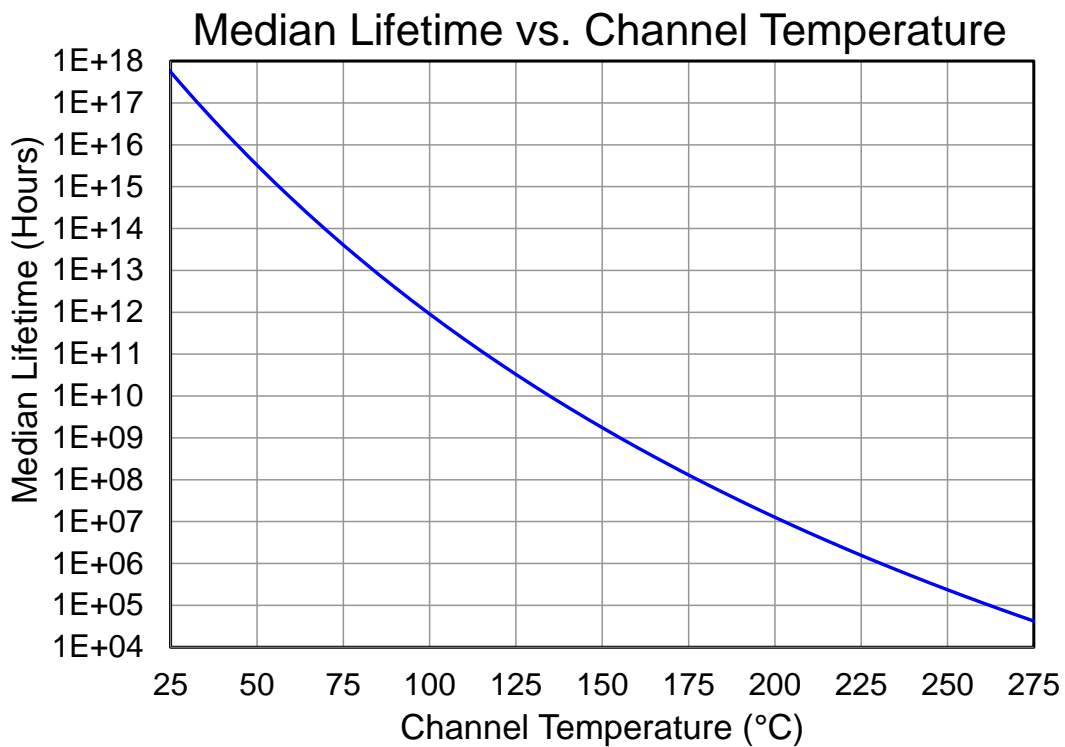
Electrical Specifications

Parameter	Conditions	Value	Units
Thermal Resistance at Average Power (θ_{JC})	$T_{CASE} = 85^{\circ}C$, $T_{CH} = 135.2^{\circ}C$, CW: $P_{DISS} = 7.03 W$, $P_{OUT} = 1.44 W$	7.1	$^{\circ}C/W$
Thermal Resistance at Saturated Power (θ_{JC})	$T_{CASE} = 85^{\circ}C$, $T_{CH} = 184.0^{\circ}C$, CW: $P_{DISS} = 12.75 W$, $P_{OUT} = 22.49 W$	7.8	$^{\circ}C/W$

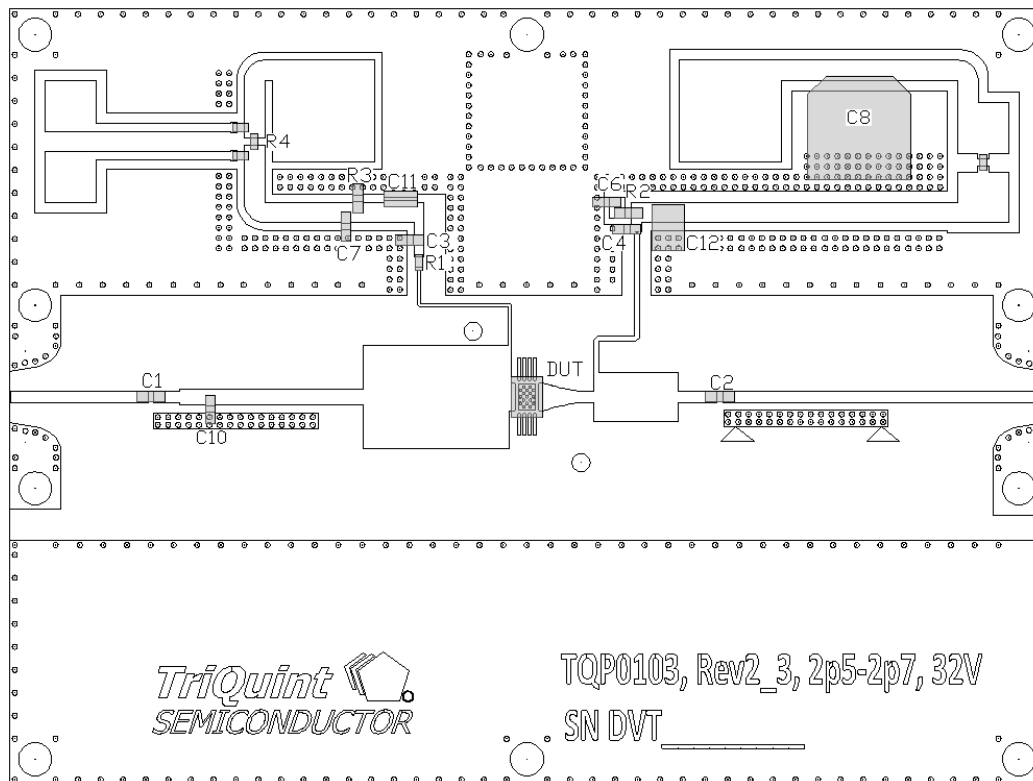
Notes:

1. Thermal resistance measured to package backside.

Median Lifetime



Evaluation Board Layout

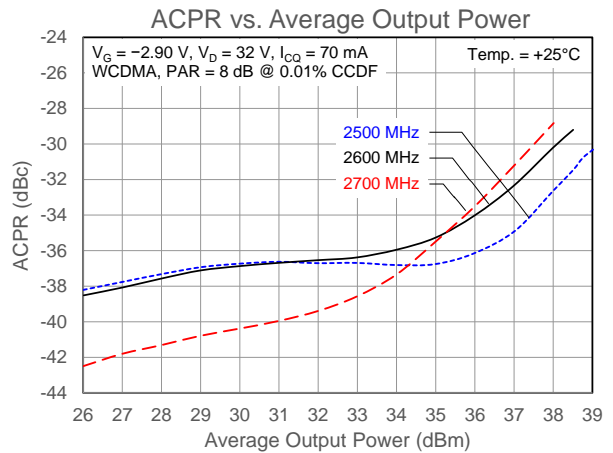
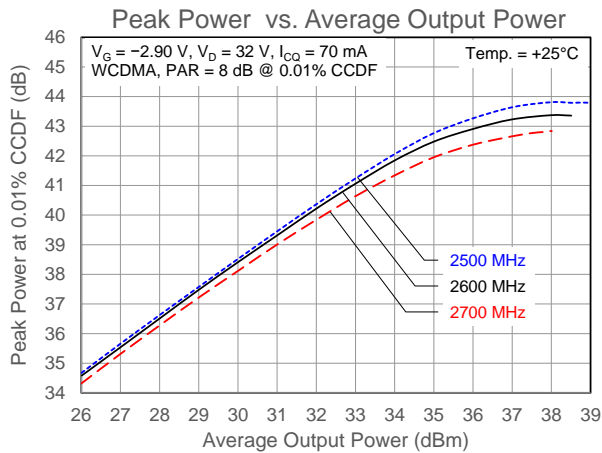
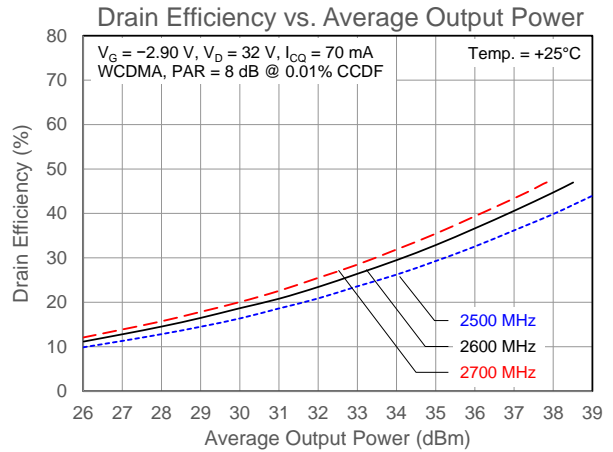
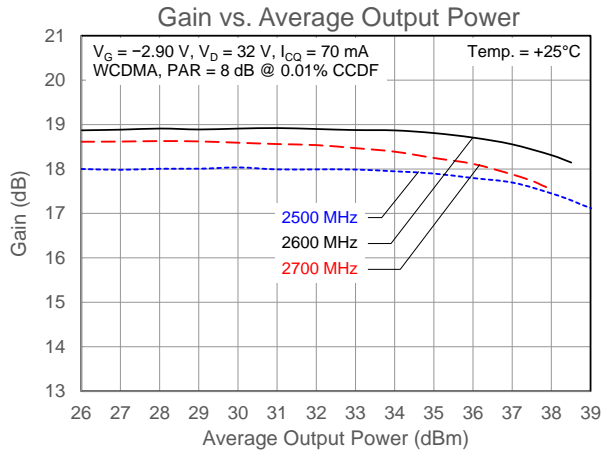
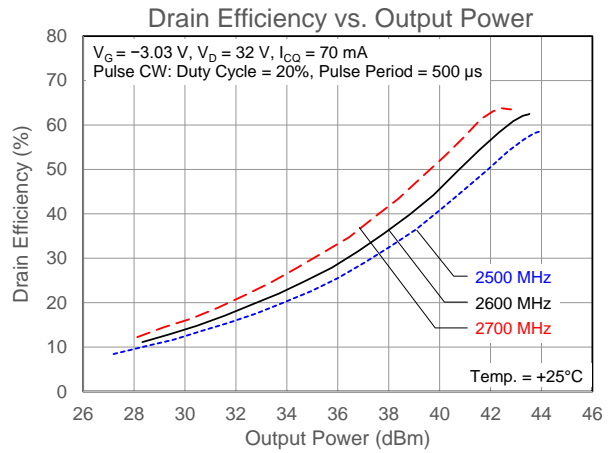
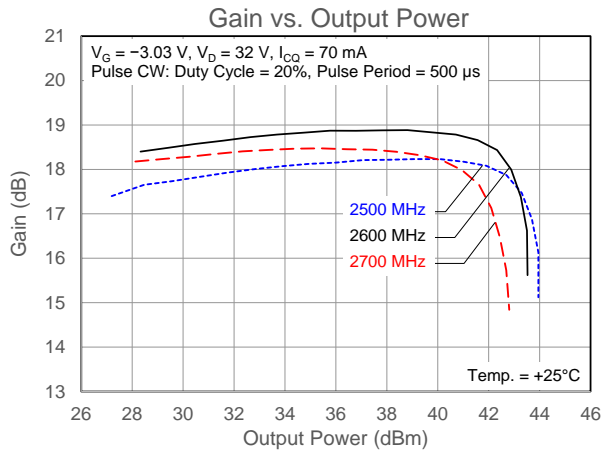


Bill of Materials

Reference Des.	Value	Description	Manuf.	Part Number
C1, C3, C4	10.0 pF	Capacitor	ATC	600S
C2	22.0 pF	Capacitor	ATC	600S
C9	0.5 pF	Capacitor (DNP)		
R1	20 Ω	Resistor	Venkel	0603-8 LCR
C5, C6	1000 pF	Capacitor	various	
R2	10 Ω	Resistor	Venkel	0603-8 LCR
R3	1000 Ω	Resistor	Venkel	0603-8 LCR
R4	0 Ω	Jumper	Venkel	0603-8 LCR
C8	220 μ F	Capacitor, Electrolytic	various	
C10	1.0 pF	Capacitor	ATC	600S
C11	10 μ F	Capacitor, X7R Ceramic		
C12	1 μ F	Capacitor	AVX	1C105K

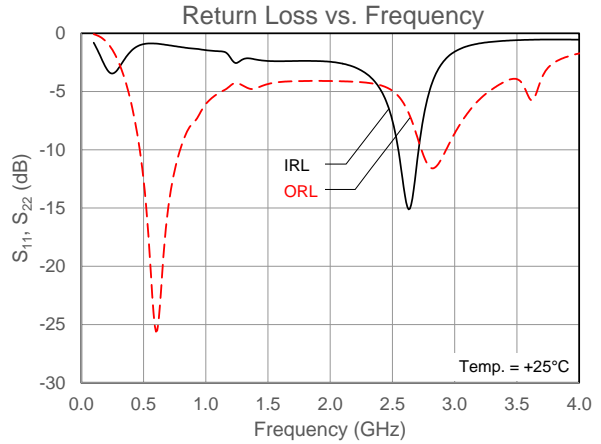
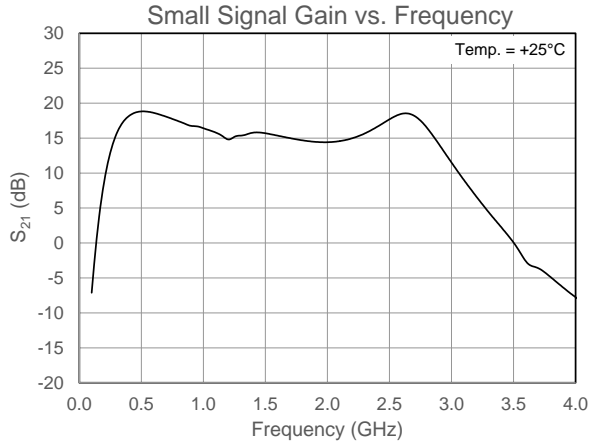
Performance Plots

Test conditions unless otherwise noted: $V_D = 32\text{ V}$, $I_{CQ} = 70\text{ mA}$, $T = 25^\circ\text{C}$, 2.6 GHz single-ended application circuit



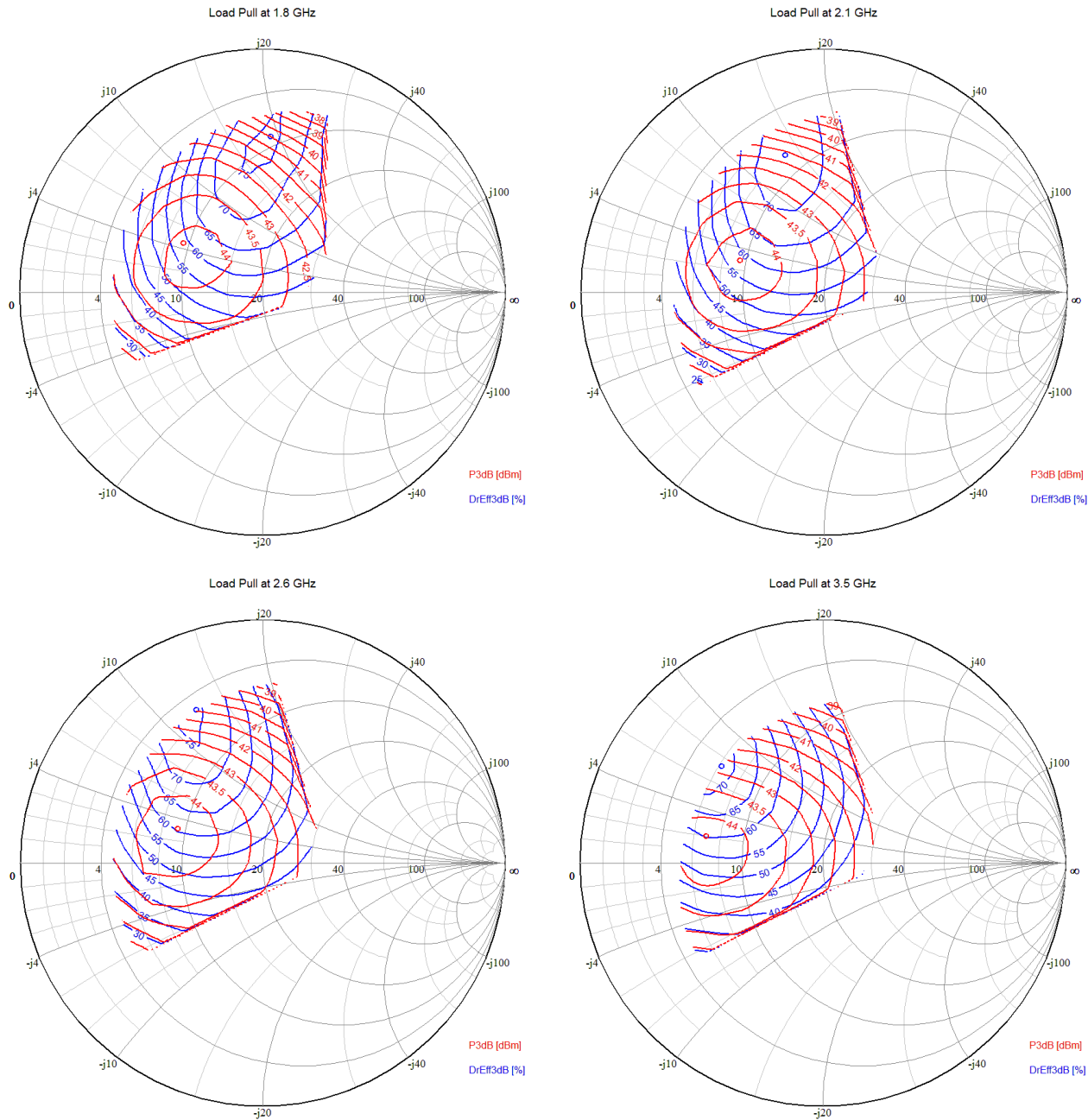
Performance Plots

Test conditions unless otherwise noted: $V_D = 32\text{ V}$, $I_{CQ} = 70\text{ mA}$, $T = 25^\circ\text{C}$, 2.6 GHz single-ended application circuit

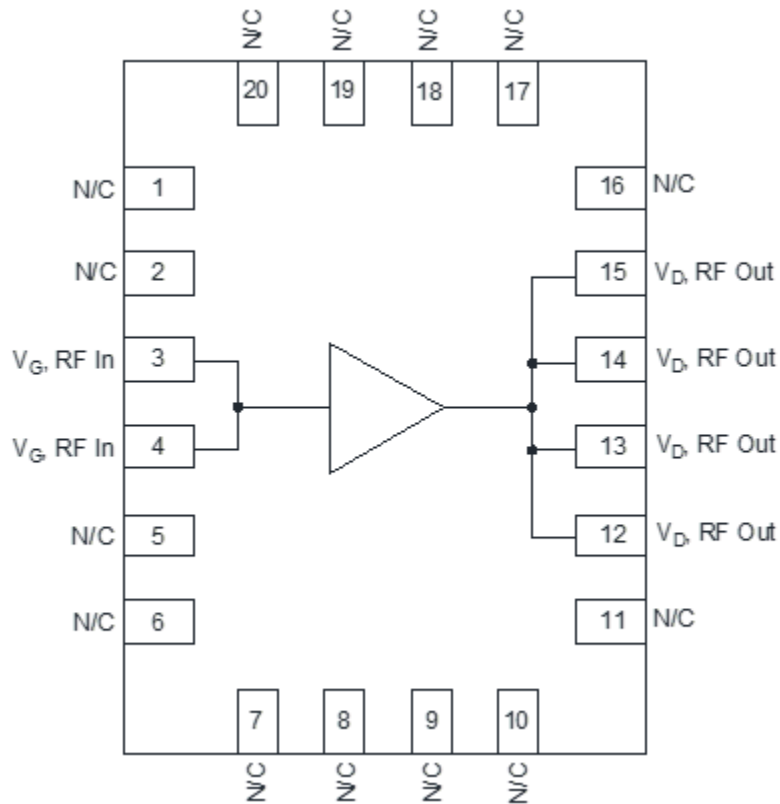


Load Pull Plots

Test conditions unless otherwise noted: $V_D = 32\text{ V}$, $I_{CQ} = 70\text{ mA}$, $T = 25^\circ\text{C}$, Pulse CW (duty cycle = 20%, pulse period = 500 μs)



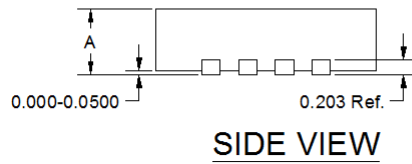
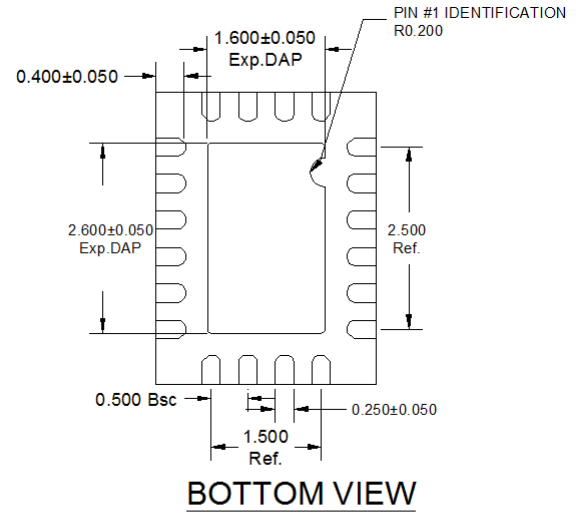
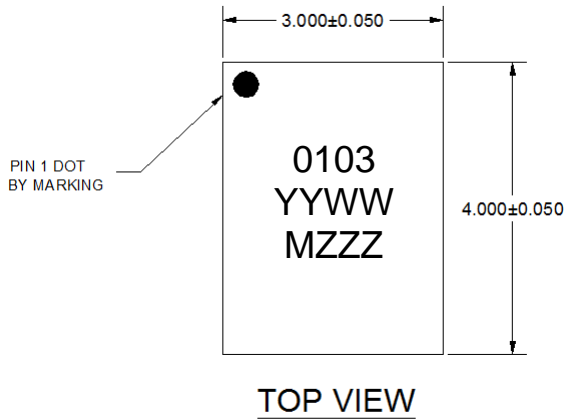
Pin Configuration and Description



Pin No.	Label	Description
1, 2, 5, 6, 7, 8, 9, 10, 11, 16, 17, 18, 19, 20	N/C	No Connection
3, 4	RF IN, V _G	RF Input, Gate Bias
12, 13, 14, 15	RF OUT, V _D	RF Output, Drain Bias
Backside Paddle	RF/DC GND	RF/DC Ground

Package Marking and Dimensions

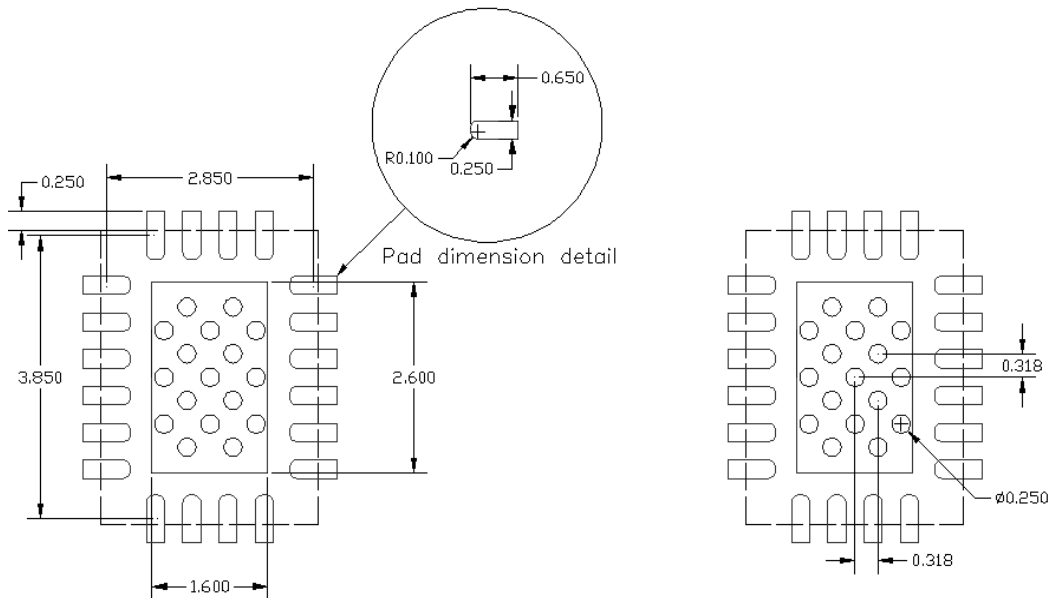
Marking: Part ID – 0103
 Year/Workweek – YYWW
 “M” + Lot Number – MZZZ



A	QFN	
	MAX.	0.900
	NOM.	0.850
	MIN.	0.800

Notes:
 1. All dimensions are in millimeters. Angles are in degrees.

PCB Mounting Pattern



Notes:
 1. All dimensions are in millimeters. Angles are in degrees.

Product Compliance Information**ESD Sensitivity Ratings**

Caution! ESD-Sensitive Device

ESD Rating: Class 1B
Value: Passes ≥ 600 V
Test: Human Body Model (HBM)
Standard: JEDEC Standard JS-001-2012

ESD Rating: Class C3
Value: Passes ≥ 1000 V
Test: Charged Device Model (CDM)
Standard: JEDEC Standard JESD22-C101F

MSL Rating

MSL Rating: Level 3
Test: 260°C convection reflow
Standard: JEDEC Standard IPC/JEDEC J-STD-020D.1

ECCN

US Department of Commerce EAR99

Solderability

Compatible with both lead-free (260°C maximum reflow temperature) and tin/lead (245°C maximum reflow temperature) soldering processes.

Contact plating: NiPdAu

RoHS Compliance

This part is compliant with EU 2002/95/EC RoHS directive (Restrictions on the Use of Certain Hazardous Substances in Electrical and Electronic Equipment).

This product also has the following attributes:

- Lead Free
- Halogen Free (Chlorine, Bromine)
- Antimony Free
- TBBP-A (C₁₅H₁₂Br₄O₂) Free
- PFOS Free
- SVHC Free

Contact Information

For the latest specifications, additional product information, worldwide sales and distribution locations, and information about TriQuint:

Web: www.triquint.com
Email: info-sales@triquint.com

Tel: +1.972.994.8465
Fax: +1.972.994.8504

For technical questions and application information: Email: btsapplications@tqs.com

Important Notice

The information contained herein is believed to be reliable. TriQuint makes no warranties regarding the information contained herein. TriQuint assumes no responsibility or liability whatsoever for any of the information contained herein. TriQuint assumes no responsibility or liability whatsoever for the use of the information contained herein. The information contained herein is provided "AS IS, WHERE IS" and with all faults, and the entire risk associated with such information is entirely with the user. All information contained herein is subject to change without notice. Customers should obtain and verify the latest relevant information before placing orders for TriQuint products. The information contained herein or any use of such information does not grant, explicitly or implicitly, to any party any patent rights, licenses, or any other intellectual property rights, whether with regard to such information itself or anything described by such information.

TriQuint products are not warranted or authorized for use as critical components in medical, life-saving, or life-sustaining applications, or other applications where a failure would reasonably be expected to cause severe personal injury or death.

X-ON Electronics

Largest Supplier of Electrical and Electronic Components

Click to view similar products for [RF Amplifier](#) category:

Click to view products by [Qorvo](#) manufacturer:

Other Similar products are found below :

[A82-1](#) [BGA622H6820XTSA1](#) [BGA 728L7 E6327](#) [BGB719N7ESDE6327XTMA1](#) [HMC397-SX](#) [HMC405](#) [HMC561-SX](#) [HMC8120-SX](#)
[HMC8121-SX](#) [HMC-ALH382-SX](#) [HMC-ALH476-SX](#) [SE2433T-R](#) [SMA3101-TL-E](#) [SMA39](#) [A66-1](#) [A66-3](#) [A67-1](#) [LX5535LQ](#) [LX5540LL](#)
[MAAM02350](#) [HMC3653LP3BETR](#) [HMC549MS8GETR](#) [HMC-ALH435-SX](#) [SMA101](#) [SMA32](#) [SMA411](#) [SMA531](#) [SST12LP17E-XX8E](#)
[SST12LP19E-QX6E](#) [WPM0510A](#) [HMC5929LS6TR](#) [HMC5879LS7TR](#) [HMC1126](#) [HMC1087F10](#) [HMC1086](#) [HMC1016](#) [SMA1212](#)
[MAX2689EWS+T](#) [MAAMSS0041TR](#) [MAAM37000-A1G](#) [LTC6430AIUF-15#PBF](#) [CHA5115-QDG](#) [SMA70-2](#) [SMA4011](#) [A231](#) [HMC-](#)
[AUH232](#) [LX5511LQ](#) [LX5511LQ-TR](#) [HMC7441-SX](#) [HMC-ALH310](#)