

## Features

- Frequency range : 32.768 kHz
- SMD : Plastic package
- External dimensions (mm)  
L : 6.9 x W : 1.4 x H : 1.4
- RoHS compliant  
Contains Pb, exempted by RoHS directive

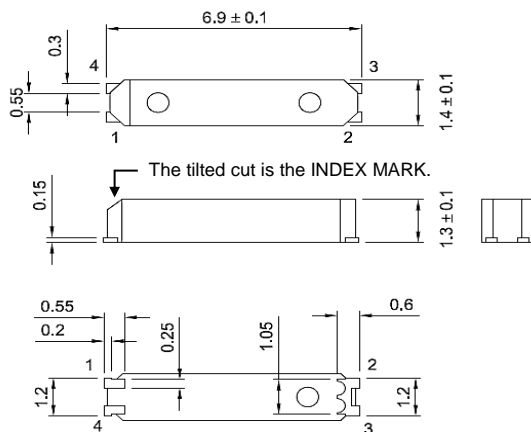
## Applications

- Small mobile devices  
Consumer products

## Electrical Characteristics

Item	Symbol	QT1M	Conditions
Nominal Frequency	$f_0$	32.768 kHz	
Frequency Tolerance	$\Delta f/f_0$	$\pm 20$ ppm	at 25°C
Load Capacitance	$C_L$	7pF, 9pF, 12.5pF	
Operating Temperature Range	$T_{OTR}$	-40°C ~ +85°C	
Storage Temperature Range	$T_{STR}$	-55°C ~ +125°C	
Turnover Temperature	$T_M$	25°C $\pm$ 5°C	
Temperature Coefficient	$\beta$	-0.04ppm/°C <sup>2</sup> Max.	
Motional Capacitance	$C_1$	1.9 fF Typ.	
Motional Resistance (ESR)	$R_1$	65 kΩ Max.	at 25°C
Drive Level	$D_L$	1 $\mu$ W Max.	
Aging	$\Delta f/f_0$	$\pm 3$ ppm Max.	at 25°C $\pm$ 3°C, first year
Shunt Capacitance	$C_0$	0.8 pF Typ.	

## Dimensions



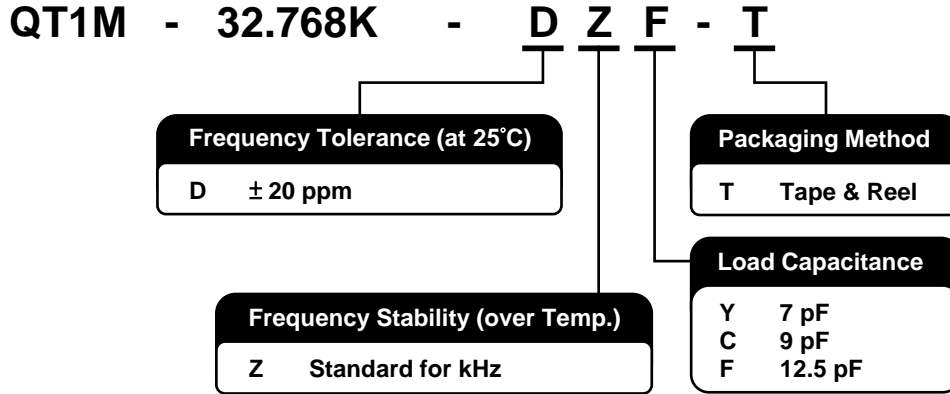
### Internal Connection



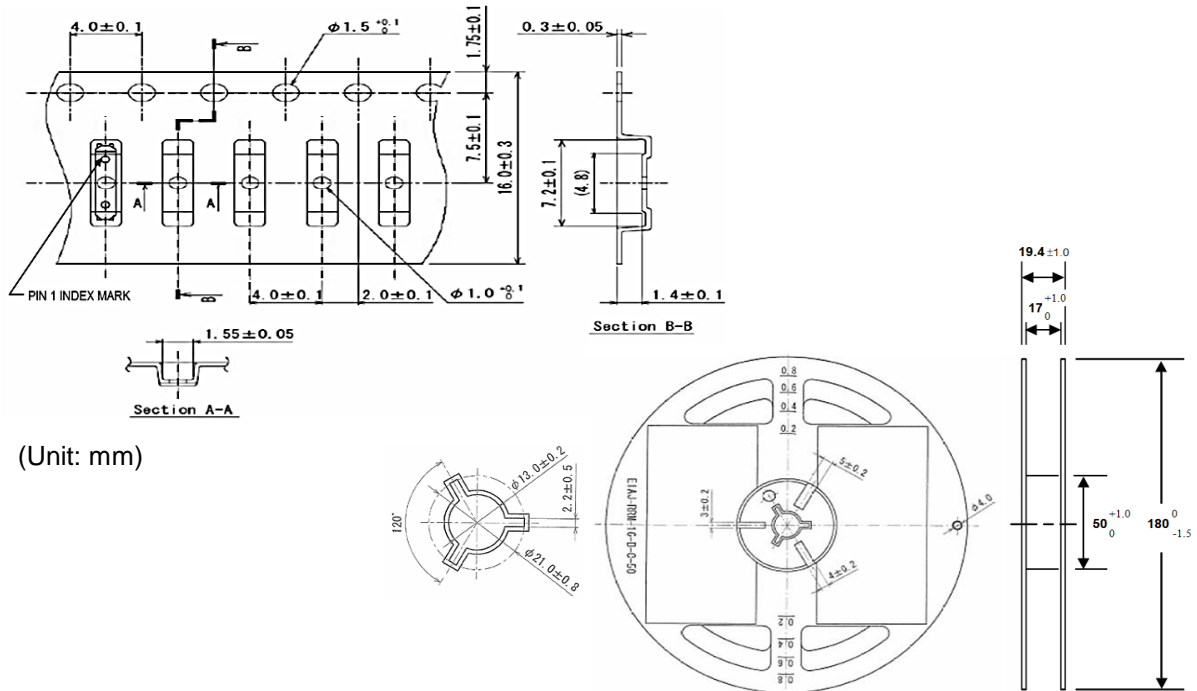
Do not connect pin2 & pin3 to external device.

(Unit: mm)

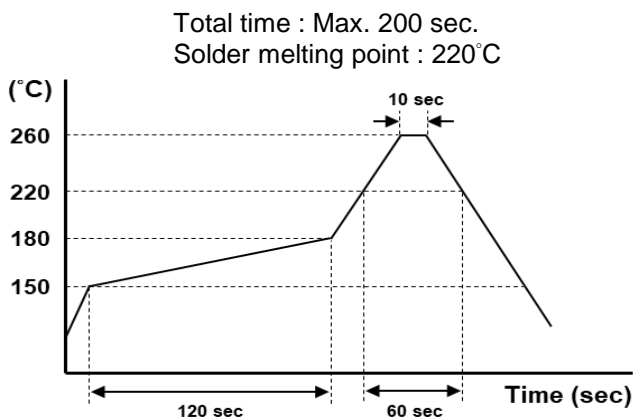
### Ordering Information



### Packing



### Reflow Profile



## X-ON Electronics

Largest Supplier of Electrical and Electronic Components

*Click to view similar products for QST manufacturer:*

Other Similar products are found below :

[QMA6100P](#) [QMC5883L](#) [QMC5883P](#) [QMC6309](#) [QMI8658A](#) [QMI8658C](#) [QT1M-32.768KDZF-T](#) [QT26-32.768KDZF-B](#) [QT26-32.768KEZF-B](#) [QT325G-12.000MDDJ-T](#) [QT325G-25.000MDDJ-T](#) [QT325G-25.000MEEV-T](#) [QT3CD-32.768KDZB-T](#) [QT3CD-32.768KDZC-T](#) [QT3CD-32.768KDZF-T](#) [QT3CD-32.768KDZY-T](#) [QT3CD-32.768KEZB-T](#) [QT3CD-32.768KEZC-T](#) [QT3CD-32.768KEZY-T](#) [QT49-11.0592MAAJ-B](#) [QT49-20.000MAAJ-B](#) [QT49-20.000MEEJ-B](#) [QT49-3.579545MAAJ-B](#) [QT49-4.000MAAJ-B](#) [QT49-4.000MAAK-B](#) [QT49-7.3728MAAJ-B](#) [QT49-8.000MAHK-B](#) [QT49S-10.000MAAJ-T](#) [QT49S-10.000MEEJ-T](#) [QT49S-16.000MAAE-T](#) [QT49S-16.000MAAJ-T](#) [QT49S-16.000MAGJ-T](#) [QT49S-16.000MAHK-T](#) [QT49S-16.000MEEJ-T](#) [QT49S-20.000MEEJ-T](#) [QT49S-25.000MAAK-T](#) [QT49S-3.6864MAAJ-T](#) [QT49S-7.3728MAHJ-T](#) [QT532G-8.000MDHK-T](#) [QT532S-12.000MAAE-T](#) [QT532S-12.000MAAJ-T](#) [QT532S-12.000MAHJ-T](#) [QT532S-32.000MEEQ-T](#) [QT532S-8.000MBBK-T](#) [QT532S-8.000MDBJ-T](#) [QTM750-50.000MBD-T](#) [QTM750-50.000MCD-T](#) [QTM750-50.000MCE-T](#) [QTM750-50.000MDE-T](#)