

Features

- Frequency range : 8MHz to 54MHz
- Glass sealing, ceramic SMD package
- External dimensions (mm)
L : 5.0 x W : 3.2 x H : 1.2
- RoHS compliant
Contains Pb, exempted by RoHS directive

Applications

- PC, TV, Game, Camera
- Notebook, Hard disk
- Computer peripherals
- Home electronics
- Consumer products

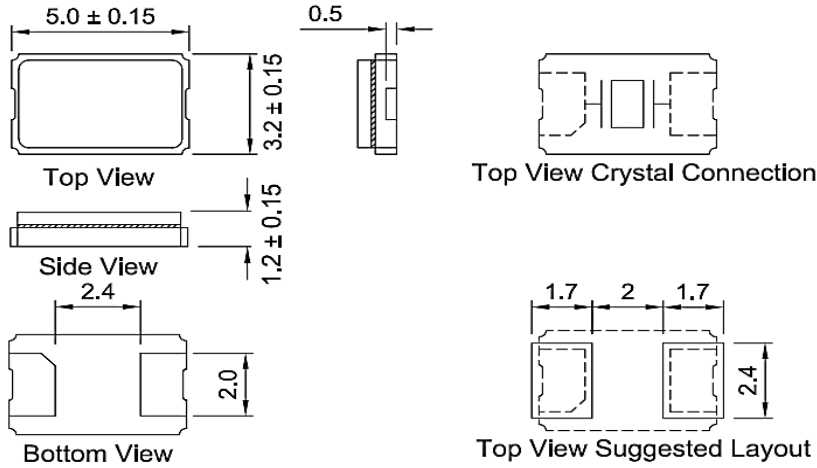
Electrical Characteristics

Item		QT532G	Conditions
Frequency Range	F_0	8MHz ~ 54MHz	
Frequency Tolerance	F_{tol}	$\pm 30\text{ppm}$, $\pm 20\text{ppm}$	at 25°C
Frequency Stability over Operating Temperature Range (refer to 25°C)	F_{stab}	$\pm 30\text{ ppm}$	-20°C ~ +70°C
		$\pm 20\text{ ppm}$	
		$\pm 30\text{ ppm}$	-40°C ~ +85°C
Operating Temperature Range	T_{OTR}	-20°C ~ +70°C	
		-40°C ~ +85°C	
Shunt Capacitance	C_0	5pF Max.	
Drive Level	D_L	1 ~ 200 μ W (100 μ W Typ.)	
Load Capacitance	C_L	12pF, 18pF, 20pF	
Aging	F_{aging}	$\pm 3\text{ ppm Max.}$	at 25°C \pm 3°C, first year
Storage Temperature Range	T_{STR}	-55°C ~ +125°C	

Motional Resistance (ESR)

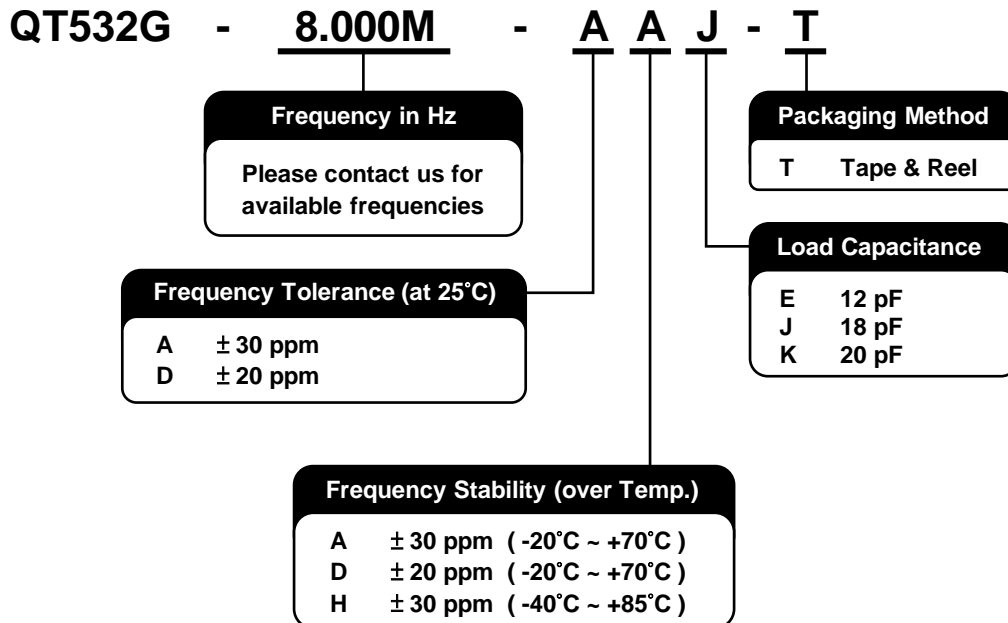
Fundamental	
8 ~ 12 MHz	80 Ω Max.
12 ~ 54 MHz	50 Ω Max.

Dimensions

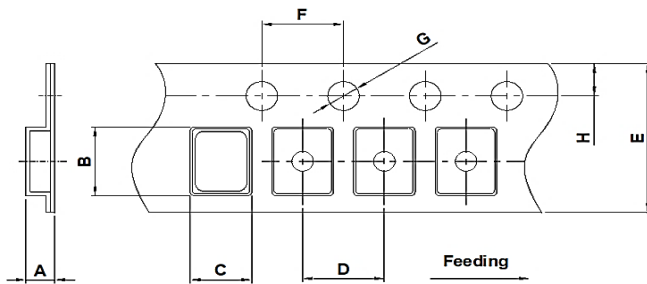


Units: mm

Ordering Information

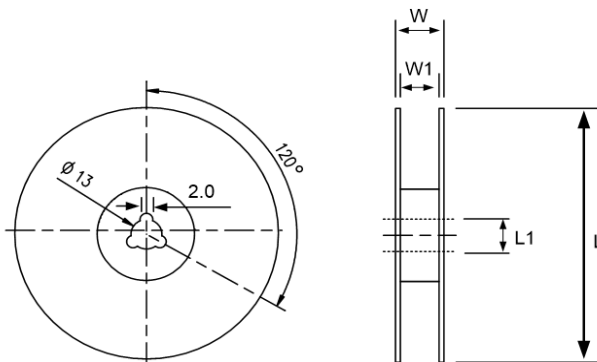


Packing



DIMENSIONS	A	B	C	D	E	F	G	H
	1.65±0.10	5.40±0.10	3.50±0.10	8.00±0.10	12.00±0.30	4.00±0.10	1.55±0.10	1.75±0.10

(Unit: mm)



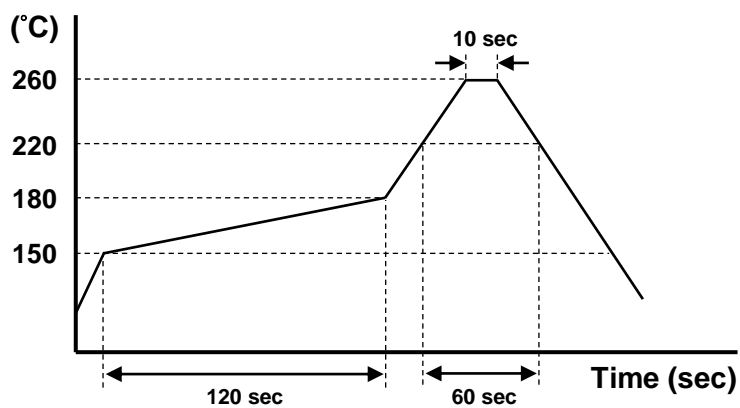
DIMENSIONS	L	L1	W	W1
	180±1.00	13±0.50	16.5±0.20	12±0.10

(Unit: mm)

Reflow Profile

Solder melting point : 220°C ± 10°C, 60 sec. Min.

Peak temperature : 260°C ± 5°C, 10 sec. Min.



X-ON Electronics

Largest Supplier of Electrical and Electronic Components

Click to view similar products for QST manufacturer:

Other Similar products are found below :

[QMA6100P](#) [QMC5883L](#) [QMC5883P](#) [QMC6309](#) [QMI8658A](#) [QMI8658C](#) [QT1M-32.768KDZF-T](#) [QT26-32.768KDZF-B](#) [QT26-32.768KEZF-B](#) [QT325G-12.000MDDJ-T](#) [QT325G-25.000MDDJ-T](#) [QT325G-25.000MEEV-T](#) [QT3CD-32.768KDZB-T](#) [QT3CD-32.768KDZC-T](#) [QT3CD-32.768KDZF-T](#) [QT3CD-32.768KDZY-T](#) [QT3CD-32.768KEZB-T](#) [QT3CD-32.768KEZC-T](#) [QT3CD-32.768KEZY-T](#) [QT49-11.0592MAAJ-B](#) [QT49-20.000MAAJ-B](#) [QT49-20.000MEEJ-B](#) [QT49-3.579545MAAJ-B](#) [QT49-4.000MAAJ-B](#) [QT49-4.000MAAK-B](#) [QT49-7.3728MAAJ-B](#) [QT49-8.000MAHK-B](#) [QT49S-10.000MAAJ-T](#) [QT49S-10.000MEEJ-T](#) [QT49S-16.000MAAE-T](#) [QT49S-16.000MAAJ-T](#) [QT49S-16.000MAGJ-T](#) [QT49S-16.000MAHK-T](#) [QT49S-16.000MEEJ-T](#) [QT49S-20.000MEEJ-T](#) [QT49S-25.000MAAK-T](#) [QT49S-3.6864MAAJ-T](#) [QT49S-7.3728MAHJ-T](#) [QT532G-8.000MDHK-T](#) [QT532S-12.000MAAE-T](#) [QT532S-12.000MAAJ-T](#) [QT532S-12.000MAHJ-T](#) [QT532S-32.000MEEQ-T](#) [QT532S-8.000MBBK-T](#) [QT532S-8.000MDBJ-T](#) [QTM750-50.000MBD-T](#) [QTM750-50.000MCD-T](#) [QTM750-50.000MCE-T](#) [QTM750-50.000MDE-T](#)