

Features

- Frequency range : 1MHz to 170MHz
- SMD seam sealing ceramic package
- Supply voltage : 1.8V ~ 3.3V
- CMOS output
- Tri-state function available
- External dimensions (mm)
L : 7.0 x W : 5.0 x H : 1.3
- RoHS compliant & Pb free

Applications

- Networking, Server, Storage
- Wireless communications
- Fibre channel, Ethernet, SATA, SAS, PCI-E, USB, WLAN, xDSL, xPON
- PC mainboard, Notebook, HDD, SSD, Graphics card, Computer peripherals
- Audio, Video, Gaming, Printer, DSC, IP CAM, Consumer products

Electrical Characteristics

Item	QTM750	Conditions
Frequency Range (F_0)	1MHz ~ 170MHz	
Frequency Stability (F_{stab})	$\pm 50\text{ppm}$, $\pm 30\text{ppm}$, $\pm 25\text{ppm}$	Note [1]
Operating Temperature Range (T_{OTR})	-40°C ~ $+85^\circ\text{C}$	
Supply Voltage (V_{DD})	1.8V, 2.5V, 3.3V	$V_{DD} \pm 10\%$
Current Consumption (I_{DD})	10 mA Max.	1MHz ~ 75MHz
	20 mA Max.	75MHz ~ 170MHz
Output Type	CMOS	
Output Load (C_L)	15 pF	
Output Voltage High (V_{OH})	90% V_{DD} Min.	
Output Voltage Low (V_{OL})	10% V_{DD} Max.	
Rise & Fall Time (T_r / T_f)	8 ns Max.	10% ~ 90% of V_{DD}
Duty Cycle	40% ~ 60%	
Start-up Time	5 ms Max.	
Enable Voltage High, Logic "1"	70% V_{DD} Min.	Input to Pin1 Note [2]
Enable Voltage Low, Logic "0"	30% V_{DD} Max.	
Phase Jitter, RMS	1 ps Max.	Note [3]
Aging (F_{aging})	± 3 ppm Max.	at $25^\circ\text{C} \pm 3^\circ\text{C}$, first year
Storage Temperature Range (T_{STR})	-55°C ~ $+125^\circ\text{C}$	

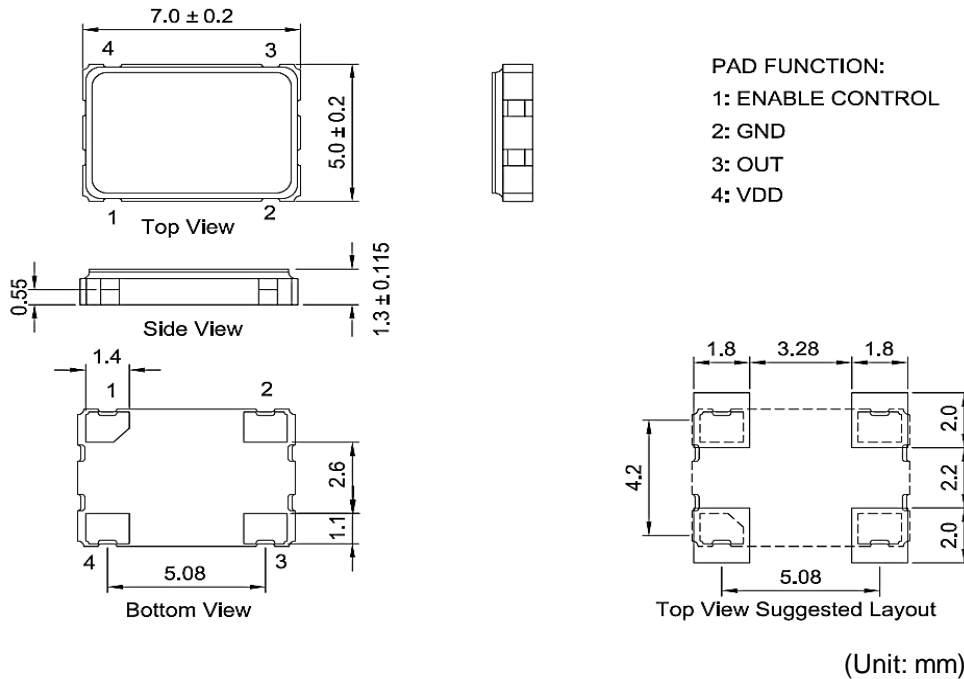
Notes:

[1] Inclusive of frequency tolerance at 25°C , 1st year aging at 25°C , and variations over operating temperature, supply voltage, and load.

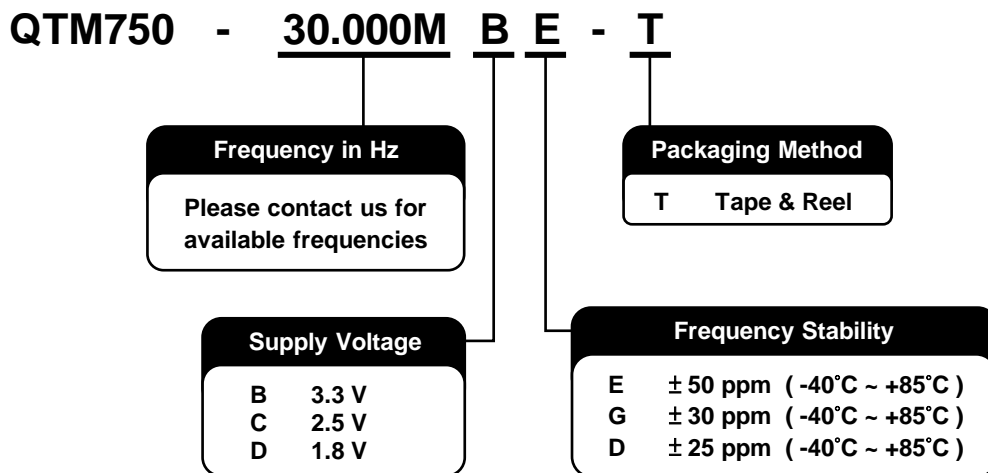
[2] Output will be enabled if Pin1 is Logic "1" or open; Output will be disabled if Pin1 is Logic "0".

[3] Freq. 10MHz~40MHz, integrated 12kHz~5MHz; Freq. >40MHz, integrated 12kHz~20MHz.

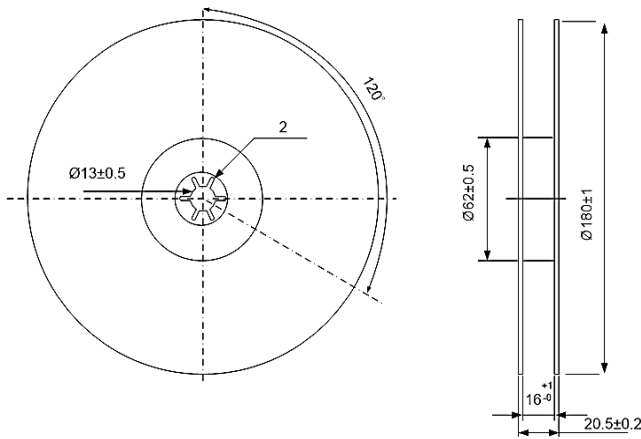
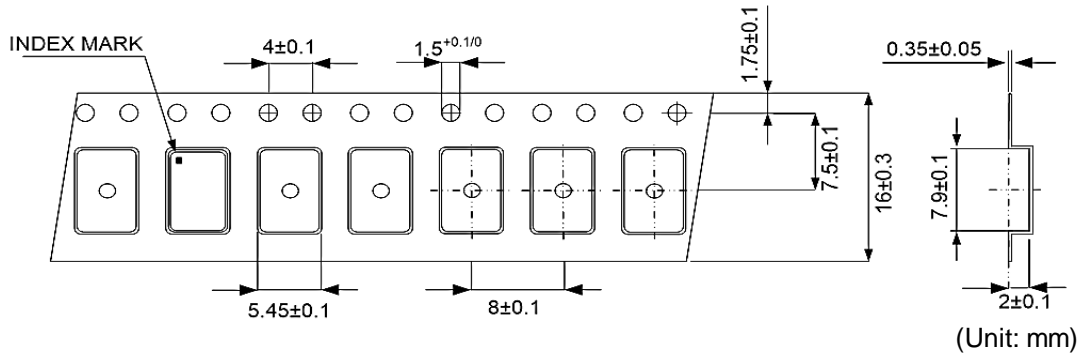
Dimensions



Ordering Information



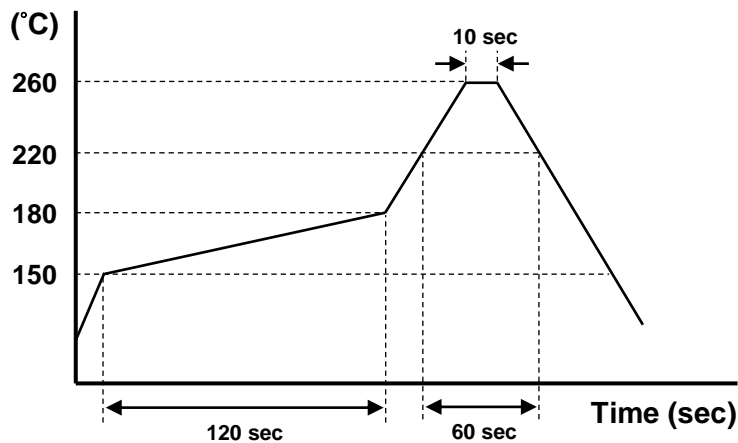
Packing



Reflow Profile

Solder melting point : 220°C ± 10°C, 60 sec. Min.

Peak temperature : 260°C ± 10°C, 10 sec. Min.



X-ON Electronics

Largest Supplier of Electrical and Electronic Components

Click to view similar products for QST manufacturer:

Other Similar products are found below :

[QMA6100P](#) [QMC5883L](#) [QMC5883P](#) [QMC6309](#) [QMI8658A](#) [QT1M-32.768KDZF-T](#) [QT26-32.768KEZF-B](#) [QT325G-12.000MDDJ-T](#)
[QT325G-12.000MDHK-T](#) [QT325G-25.000MDDJ-T](#) [QT325G-25.000MEEV-T](#) [QT325G-26.000MEEV-T](#) [QT3CD-32.768KDZB-T](#) [QT3CD-](#)
[32.768KDZC-T](#) [QT3CD-32.768KDZF-T](#) [QT3CD-32.768KDZY-T](#) [QT3CD-32.768KEZB-T](#) [QT3CD-32.768KEZC-T](#) [QT3CD-32.768KEZY-T](#)
[QT49-11.0592MAAJ-B](#) [QT49-20.000MAAJ-B](#) [QT49-20.000MBBK-B](#) [QT49-20.000MEEJ-B](#) [QT49-3.579545MAAJ-B](#) [QT49-4.000MAAJ-B](#)
[QT49-4.000MAAK-B](#) [QT49-4.000MBBK-B](#) [QT49-7.3728MAAJ-B](#) [QT49-8.000MAHK-B](#) [QT49S-10.000MAAJ-T](#) [QT49S-10.000MAGJ-T](#)
[QT49S-10.000MBBK-T](#) [QT49S-10.000MEEJ-T](#) [QT49S-16.000MAAE-T](#) [QT49S-16.000MAAJ-T](#) [QT49S-16.000MAGJ-T](#) [QT49S-](#)
[16.000MAHK-T](#) [QT49S-16.000MEEJ-T](#) [QT49S-20.000MEEJ-T](#) [QT49S-25.000MAAK-T](#) [QT49S-3.6864MAAJ-T](#) [QT49S-7.3728MAHJ-T](#)
[QT532G-8.000MDHK-T](#) [QT532S-12.000MAAE-T](#) [QT532S-12.000MAAJ-T](#) [QT532S-12.000MAHJ-T](#) [QT532S-32.000MEEQ-T](#) [QT532S-](#)
[8.000MBBK-T](#) [QT532S-8.000MDBJ-T](#) [QT532S-8.000MEEQ-T](#)