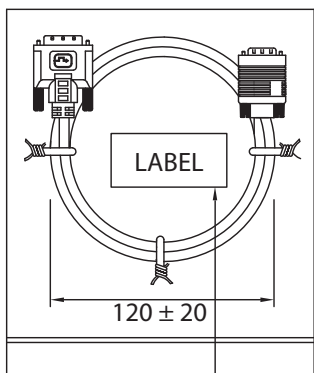
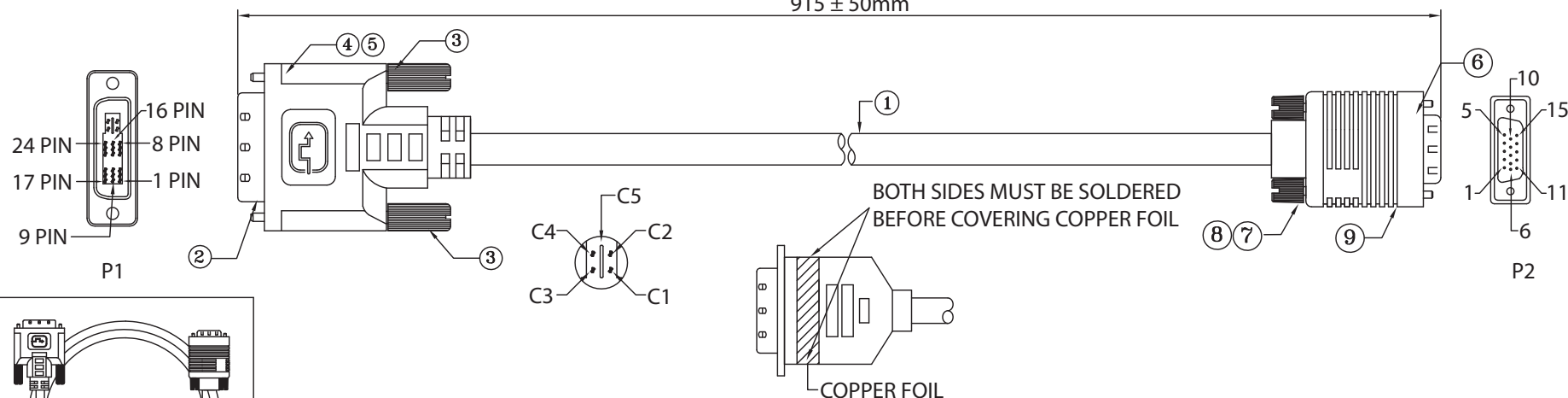


THESE DRAWINGS ARE THE PROPERTY OF QUALTEK ELECTRONICS AND NOT TO BE REPRODUCED FOR OR COMMUNICATED TO A THIRD PARTY WITHOUT THE EXPRESS WRITTEN PERMISSION OF AN OFFICER OF QUALTEK ELECTRONICS.

| REVISION | | | |
|----------|--|----------|----------|
| REV. | DESCRIPTION | DATE | APPROVED |
| B | Updated Specifications | 03-22-11 | LY |
| C | Updated Graphics and Cord Specifications | 09-16-11 | LY |

915 ± 50mm



P/N:1321001-03
DVI (12+5)P/M TO HDB 15 P/M
Length:3FT
Color: Black

| WIRE ARRANGEMENT | | |
|------------------|----------------------|------|
| P1 | COLOR | P2 |
| C1 | RED COAXIAL | 1 |
| C2 | GREEN COAXIAL | 2 |
| C3 | BLUE COAXIAL | 3 |
| C4 | WHITE | 13 |
| | RED COAXIAL SHIELD | 6 |
| C5 | GREEN COAXIAL SHIELD | 7 |
| | BLUE COAXIAL SHIELD | 8 |
| 6 | GREEN | 15 |
| 7 | ORANGE | 12 |
| 8 | BROWN | 14 |
| 15 | BLACK | 10 |
| | | 5 |
| 14 | | |
| 16 | RED | 9 |
| CASE | BRAID SHIELD | CASE |

CONTROLLED

| No. | PARTS NAME | SPECIFICATION STANDARD | QTY |
|-----|----------------------------|---|-----|
| ① | CABLE UL2919 | O.D.: 7.3 ± 0.2mm BLACK COLOR | 1 |
| ② | CONN 1 DVI (12+5)P/M BLACK | AU FLASH.PIN BRASS FRONT GOLD FLASH BACK TIN PLATED | 1 |
| ③ | SCREW | #4-40UNC MOLDED BLACK COLOR | 2 |
| ④ | PLASTIC HOOD | BLACK | |
| ⑤ | SHIELD CASE | TIN PLATED 0.4t ID=Ø8.0mm | |
| ⑥ | CONN 2 HDB15P/M | 3R 15PIN , BLACK COLOR | 1 |
| ⑦ | SCREW | #4-40UNC MOLDED BLACK COLOR | 2 |
| ⑧ | SHIELD CASE | MUST BE SOLDERED 360° | |
| ⑨ | PLASTIC HOOD | BLACK | |

NOTES:

- CABLE: UL2919
(28AWGx1PxS+AM)x3C+28AWGx4C+28AWGx1P+AB (85% AL)
OUTER JACKET: BLACK, OD: 7.3 ± 0.2mm
- CONNECTORS: DVI (12+5)P/M - HDB15P/M
- ELECTRICAL TEST:
<1>.100% OPEN SHORT & MISS WIRE TEST
<2>.INSULATION RESISTANCE: DC400V/0.01s 10M ohm MIN.
<3>.CONDUCTOR RESISTANCE: 3 ohm MAX.
- PACKING: 1PC/POLYBAG
- RoHS COMPLIANT

Qualtek Electronics Corp.
WCI DIVISION

Part Number: **1321001-03**



Description:

DVI (12+5)P/M - HDB15P/M

| Dim range (mm) | Tolerance +/- (mm) | UNIT: mm | REV.C |
|----------------|--------------------|---------------------|----------------|
| 0-1 | 0.15 | Description: | REV.C |
| 1-6 | 0.20 | | |
| 6-18 | 0.30 | UNIT: mm | REV.C |
| 18-50 | 0.50 | | |
| 50-120 | 0.70 | Drawn / Date | Checked / Date |
| 120-250 | 0.90 | B.Grubb 01-24-07 | 01-24-07 |
| 250-500 | 1.20 | | JJH / 01-24-07 |

X-ON Electronics

Largest Supplier of Electrical and Electronic Components

Click to view similar products for [Audio Cables](#) / [Video Cables](#) / [RCA Cables](#) category:

Click to view products by [Qualtek](#) manufacturer:

Other Similar products are found below :

[59384500100E](#) [RCA10RCA](#) [DB25M05DB25MY](#) [DB25M10DB25MY](#) [DB25M10XLRMXLRFY](#) [1-3737-600-3216](#) [15AK25X](#) [CA19](#) [CA20](#)
[CAG34](#) [25FK25](#) [LF3BLX](#) [30-513](#) [28-511-0](#) [30-419](#) [30AR30](#) [30AK30](#) [30AN30](#) [RCA05RCA](#) [RCA05RCAB](#) [RCA05TS](#) [RCA10RCAB](#)
[420001400-3](#) [426058900-3](#) [427493000-3](#) [49152A-010-S2](#) [TT6RX](#) [TT7BKX](#) [TT93602](#) [32-3766](#) [32HR07284X](#) [CA25B](#) [CA39](#)
[DB25M02XLRMXLRFY](#) [LF1BKX](#) [LF3RX](#) [49442 010S2](#) [DVI-I-VGA/DVI-D-CBL-MATRIX](#) [VMP3YX](#) [VMP2YX](#) [TT746](#) [TT744](#) [CN13B](#)
[MDC4P13](#) [MDC8P53](#) [LF4GNX](#) [LF2GYX](#) [426494200-3](#) [49153A 010S2](#) [LF1RX](#)