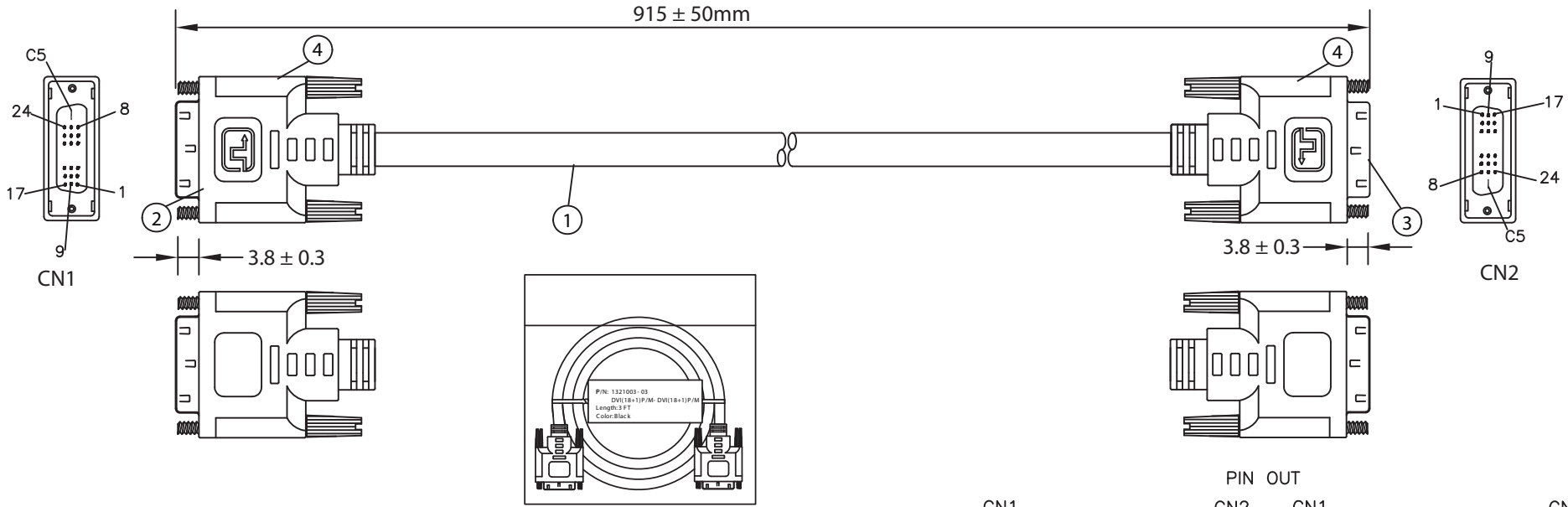


THESE DRAWINGS ARE THE PROPERTY OF QUALTEK ELECTRONICS AND NOT TO BE REPRODUCED FOR OR COMMUNICATED TO A THIRD PARTY WITHOUT THE EXPRESS WRITTEN PERMISSION OF AN OFFICER OF QUALTEK ELECTRONICS.

REVISION			
REV.	DESCRIPTION	DATE	APPROVED
B	Updated Pin Out, Notes and Graphics	10-26-16	LY



NOTES:

- CABLE: UL20276  
(28AWG\*1PR+EAM)\*4+28AWG\*1PR+28AWG\*3C+AEB(AL) 65%  
OUTER JACKET: BLACK, OD: 7.0 ± 0.2mm
- CONNECTOR: DVI 18+1 MALE  
INSULATOR: BLACK  
PIN G/F  
NICKEL PLATED SHELL  
THUMB SCREW: 2.8\*32.5 4-40UNC
- CONNECTOR: DVI 18+1 MALE  
INSULATOR: BLACK  
PIN G/F  
NICKEL PLATED SHELL  
THUMB SCREW: 2.8\*32.5 4-40UNC
- PVC MOLDED: COLOR V398 30P BLACK
- ELECTRICAL TEST:  
<1>.100% OPEN SHORT & MISS WIRE TEST  
<2>.INSULATION RESISTANCE: DC400V 10M ohm MIN.  
<3>.CONDUCTOR RESISTANCE: 3 ohm MAX.
- PACKING: 1PC/POLYBAG

PIN OUT

CN1		CN2		CN1		CN2	
1	WHITE	1	WHITE	15	WHITE	15	WHITE
2	BROWN	2	VIOLET	16	VIOLET	16	VIOLET
3	DRAIN	3	WHITE	17	WHITE	17	WHITE
6	YELLOW	6	GREEN	18	GREEN	18	GREEN
7	ORANGE	7	DRAIN	19	DRAIN	19	DRAIN
9	WHITE	9	WHITE	23	WHITE	23	WHITE
10	RED	10	BLUE	24	BLUE	24	BLUE
11	DRAIN	11	DRAIN	22	DRAIN	22	DRAIN
14	RED	14	SHELL	SHELL	BRAID & DRAIN	SHELL	SHELL

**CONTROLLED**

Dim range (mm)	Tolerance +/- (mm)	Qualtek Electronics Corp. WCI DIVISION		
		Part Number: 1321003-03	RoHS Compliant	
0-1	0.15	Description: DVI (18+1)P/M - DVI (18+1)P/M		
1-6	0.20	UNIT: mm REV.B		
6-18	0.30	Drawn / Date	Checked / Date	Approved / Date
18-50	0.50	B. Grubb 01-24-07	01-24-07	JJH / 01-24-07
50-120	0.70			
120-250	0.90			
250-500	1.20			

## X-ON Electronics

Largest Supplier of Electrical and Electronic Components

*Click to view similar products for [Audio Cables](#) / [Video Cables](#) / [RCA Cables](#) category:*

*Click to view products by [Qualtek](#) manufacturer:*

Other Similar products are found below :

[59384500100E](#) [RCA10RCA](#) [DB25M05DB25MY](#) [DB25M10DB25MY](#) [DB25M10XLRMXLRFY](#) [15AK25X](#) [CA19](#) [CA20](#) [CAG34](#) [25FK25](#)  
[LF3BLX](#) [30-513](#) [28-511-0](#) [30-419](#) [30AR30](#) [30AK30](#) [30AN30](#) [RCA05RCA](#) [RCA05RCAB](#) [RCA05TS](#) [RCA10RCAB](#) [420001400-3](#)  
[426058900-3](#) [427493000-3](#) [49152A-010-S2](#) [TT6RX](#) [TT7BKX](#) [TT93602](#) [32-3766](#) [32HR07284X](#) [CA25B](#) [CA39](#) [DB25M02XLRMXLRFY](#)  
[LF1BKX](#) [LF3RX](#) [49442 010S2](#) [DVI-I-VGA/DVI-D-CBL-MATRIX](#) [VMP3YX](#) [VMP2YX](#) [TT746](#) [TT744](#) [CN13B](#) [MDC4P13](#) [MDC8P53](#)  
[LF4GNX](#) [LF2GYX](#) [426494200-3](#) [49153A 010S2](#) [LF1RX](#) [VMPBNCF](#)