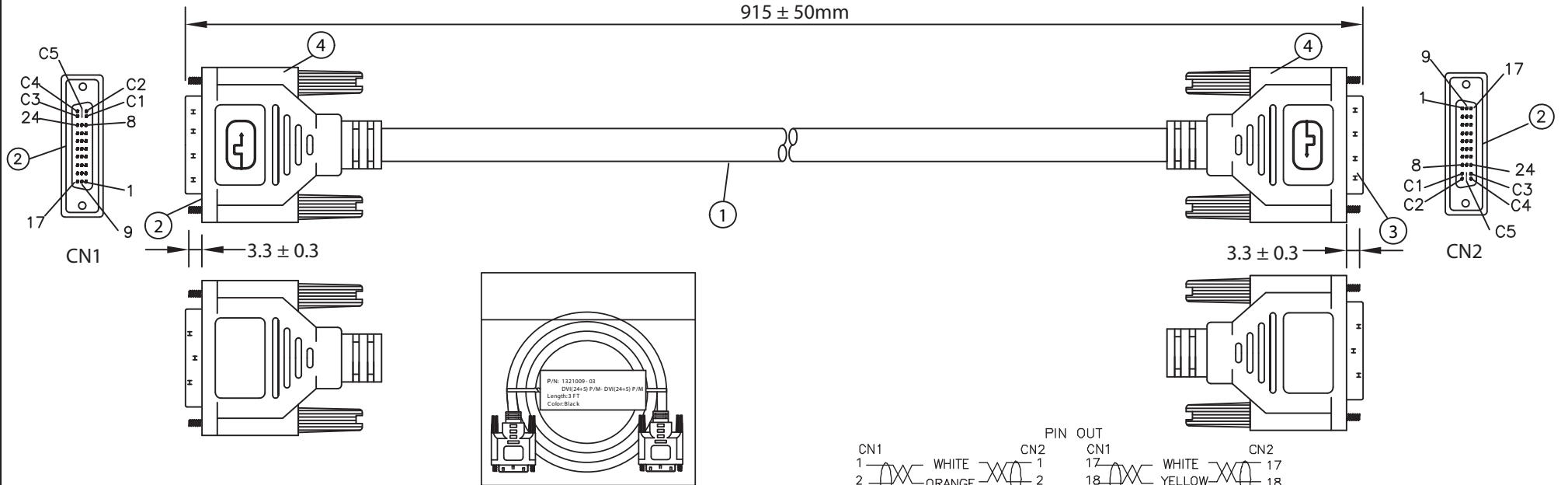


THESE DRAWINGS ARE THE PROPERTY OF QUALTEK ELECTRONICS AND NOT TO BE REPRODUCED FOR OR COMMUNICATED TO A THIRD PARTY WITHOUT THE EXPRESS WRITTEN PERMISSION OF AN OFFICER OF QUALTEK ELECTRONICS.

REVISION			
REV.	DESCRIPTION	DATE	APPROVED
A	Changed Cable Spec	03-12-07	DP
B	Updated Pin Out, Notes and Graphics	08-27-15	LY
C	Updated Pin Out	10-04-17	LY



NOTES:

- CABLE: UL20276
(28AWG*1PR+EAM)*7+(28AWG*1PR+SAM)*3+28AWG*1PR
+28AWG*5C+AEB(AL) 65%
PVC OUTER JACKET: BLACK, OD: 9.5 ± 0.3mm
- CONNECTOR: DVI 24+5 MALE
INSULATOR: BLACK
PIN G/F
NICKEL PLATED SHELL
THUMB SCREW: E4*28.5mm #4-40UNC
- CONNECTOR: DVI 24+5 MALE
INSULATOR: BLACK
PIN G/F
NICKEL PLATED SHELL
THUMB SCREW: E4*28.5mm #4-40UNC
- PVC MOLDED: COLOR V398 45P BLACK
- ELECTRICAL TEST:
<1>.100% OPEN SHORT & MISS WIRE TEST
<2>.INSULATION RESISTANCE: AC300V DC400V 10M ohm MIN.
<3>.CONDUCTOR RESISTANCE: 3 ohm MAX.
- PACKING: 1PC/POLYBAG

PIN OUT					
CN1	1	WHITE	CN2	1	WHITE
2	ORANGE	2	17	YELLOW	
3	DRAIN	3	18	YELLOW	
4	DRAIN	4	19	DRAIN	
5	WHITE	5	20	WHITE	
6	BROWN	6	21	GREEN	
7	ORANGE	7	22	DRAIN	
8	YELLOW	8	23	WHITE	
9	GREEN	9	24	RED	
10	WHITE	10	C1	RED(CEN)	
11	BLACK	11	C2	GREEN(CEN)	
12	DRAIN	12	C3	BLUE(CEN)	
13	DRAIN	13	C4	BLUE	
14	WHITE	14	C5	GREEN(S)+BLUE(S)+RED(S)	
15	BLUE	15	SHELL	BRAID& DRAIN	
16	RED	16	SHELL	SHELL	

CONTROLLED

Dim range (mm)		Tolerance +/- (mm)	Qualtek Electronics Corp. WCI DIVISION		
0-1		0.15	Part Number: 1321009-03 RoHS Compliant		
1-6		0.20	Description: DVI (24+5)P/M - DVI (24+5)P/M		
6-18		0.30	UNIT: mm REV.C		
18-50		0.50	Drawn / Date		
50-120		0.70	Checked / Date		
120-250		0.90	Approved / Date		
250-500		1.20	B.Grubb 01-12-07		
			01-12-07		
			JH / 01-12-07		

X-ON Electronics

Largest Supplier of Electrical and Electronic Components

Click to view similar products for [Audio Cables](#) / [Video Cables](#) / [RCA Cables](#) category:

Click to view products by [Qualtek](#) manufacturer:

Other Similar products are found below :

[59384500100E](#) [RCA10RCA](#) [DB25M05DB25MY](#) [DB25M10DB25MY](#) [DB25M10XLRMXLRFY](#) [1-3737-600-3216](#) [15AK25X](#) [CA19](#) [CA20](#)
[CAG34](#) [25FK25](#) [LF3BLX](#) [30-513](#) [28-511-0](#) [30-419](#) [30AR30](#) [30AK30](#) [30AN30](#) [RCA05RCA](#) [RCA05RCAB](#) [RCA05TS](#) [RCA10RCAB](#)
[420001400-3](#) [426058900-3](#) [427493000-3](#) [49152A-010-S2](#) [TT6RX](#) [TT7BKX](#) [TT93602](#) [32-3766](#) [32HR07284X](#) [CA25B](#) [CA39](#)
[DB25M02XLRMXLRFY](#) [LF1BKX](#) [LF3RX](#) [49442 010S2](#) [DVI-I-VGA/DVI-D-CBL-MATRIX](#) [VMP3YX](#) [VMP2YX](#) [TT746](#) [TT744](#) [CN13B](#)
[MDC4P13](#) [MDC8P53](#) [LF4GNX](#) [LF2GYX](#) [426494200-3](#) [49153A 010S2](#) [LF1RX](#)