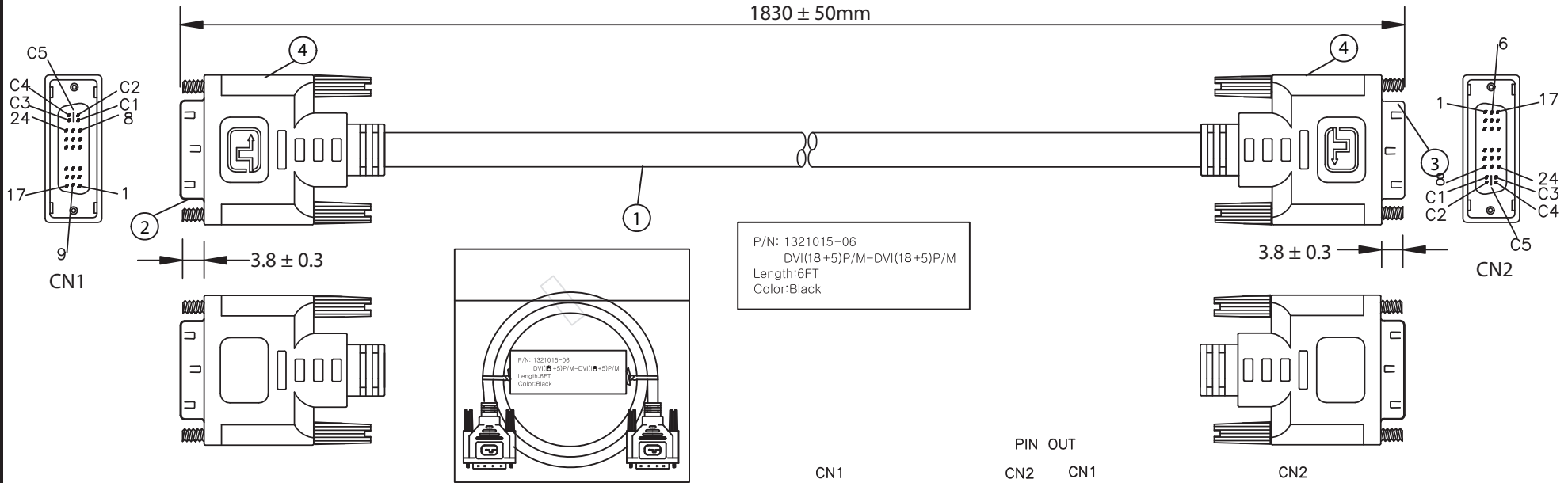


THESE DRAWINGS ARE THE PROPERTY OF QUALTEK ELECTRONICS AND NOT TO BE REPRODUCED FOR OR COMMUNICATED TO A THIRD PARTY WITHOUT THE EXPRESS WRITTEN PERMISSION OF AN OFFICER OF QUALTEK ELECTRONICS.

REVISION			
REV.	DESCRIPTION	DATE	APPROVED
B	Updated Pin Out, Notes and Graphics	09-22-14	LY



NOTES:

- CABLE: UL20276**
 (28AWG*1PR+EAM)*4+(28AWG*1C+SAM)*3+
 28AWG*1PR+28AWG*5C+AEB(AL) 65%
 OUTER JACKET: BLACK, OD: 8.5 ± 0.2mm
- CONNECTOR: DVI 18+5 MALE**
 INSULATOR: BLACK
 PIN G/F
 NICKEL PLATED SHELL
 THUMB SCREW: 2.8*32.5mm #4-40UNC
- CONNECTOR: DVI 18+5 MALE**
 INSULATOR: BLACK
 PIN G/F
 NICKEL PLATED SHELL
 THUMB SCREW: 2.8*32.5mm #4-40UNC
- PVC MOLDED: COLOR V398 45P BLACK**
- ELECTRICAL TEST:**
 <1>.100% OPEN SHORT & MISS WIRE TEST
 <2>.INSULATION RESISTANCE: AC300V DC400V 10M ohm MIN.
 <3>.CONDUCTOR RESISTANCE: 2 ohm MAX.
- PACKING: 1PC/POLYBAG**

PIN OUT

CN1		CN2		CN1		CN2	
1	WHITE	1	WHITE	17	WHITE	17	WHITE
2	BROWN	2	BROWN	18	GREEN	18	GREEN
3	DRAIN	3	DRAIN	19	DRAIN	19	DRAIN
6	YELLOW	6	YELLOW	23	WHITE	23	WHITE
7	ORANGE	7	ORANGE	24	BLUE	24	BLUE
8	BLACK	8	BLACK	22	DRAIN	22	DRAIN
9	WHITE	9	WHITE	C1	RED(CEN)	C1	RED(CEN)
10	RED	10	RED	C2	GREEN(CEN)	C2	GREEN(CEN)
11	DRAIN	11	DRAIN	C3	BLUE(CEN)	C3	BLUE(CEN)
14	RED	14	RED	C4	BLUE	C4	BLUE
15	WHITE	15	WHITE	C5	GREEN(S)+BLUE(S)+RED(S)	C5	GREEN(S)+BLUE(S)+RED(S)
16	VIOLET	16	VIOLET	SHELL	BRAID&DRAIN	SHELL	BRAID&DRAIN

CONTROLLED

Dim range (mm)	Tolerance +/- (mm)	Qualtek Electronics Corp. WCI DIVISION		
		Part Number: 1321015-06	RoHS Compliant	
0-1	0.15	Description: DVI (18+5)P/M - DVI (18+5)P/M		
1-6	0.20			
6-18	0.30			
18-50	0.50			
50-120	0.70			
120-250	0.90	UNIT: mm	REV. B	
250-500	1.20	Drawn / Date	Checked / Date	Approved / Date
		B. Grubb 01-02-07	01-02-07	JJH / 01-02-07

X-ON Electronics

Largest Supplier of Electrical and Electronic Components

Click to view similar products for [Audio Cables](#) / [Video Cables](#) / [RCA Cables](#) category:

Click to view products by [Qualtek](#) manufacturer:

Other Similar products are found below :

[59384500100E](#) [RCA10RCA](#) [DB25M05DB25MY](#) [DB25M10DB25MY](#) [DB25M10XLRMXLRFY](#) [1-3737-600-3216](#) [15AK25X](#) [CA19](#) [CA20](#)
[CAG34](#) [25FK25](#) [LF3BLX](#) [30-513](#) [28-511-0](#) [30-419](#) [30AR30](#) [30AK30](#) [30AN30](#) [RCA05RCA](#) [RCA05RCAB](#) [RCA05TS](#) [RCA10RCAB](#)
[420001400-3](#) [426058900-3](#) [427493000-3](#) [49152A-010-S2](#) [TT6RX](#) [TT7BKX](#) [TT93602](#) [32-3766](#) [32HR07284X](#) [CA25B](#) [CA39](#)
[DB25M02XLRMXLRFY](#) [LF1BKX](#) [LF3RX](#) [49442 010S2](#) [DVI-I-VGA/DVI-D-CBL-MATRIX](#) [VMP3YX](#) [VMP2YX](#) [TT746](#) [TT744](#) [CN13B](#)
[MDC4P13](#) [MDC8P53](#) [LF4GNX](#) [LF2GYX](#) [426494200-3](#) [49153A 010S2](#) [LF1RX](#)