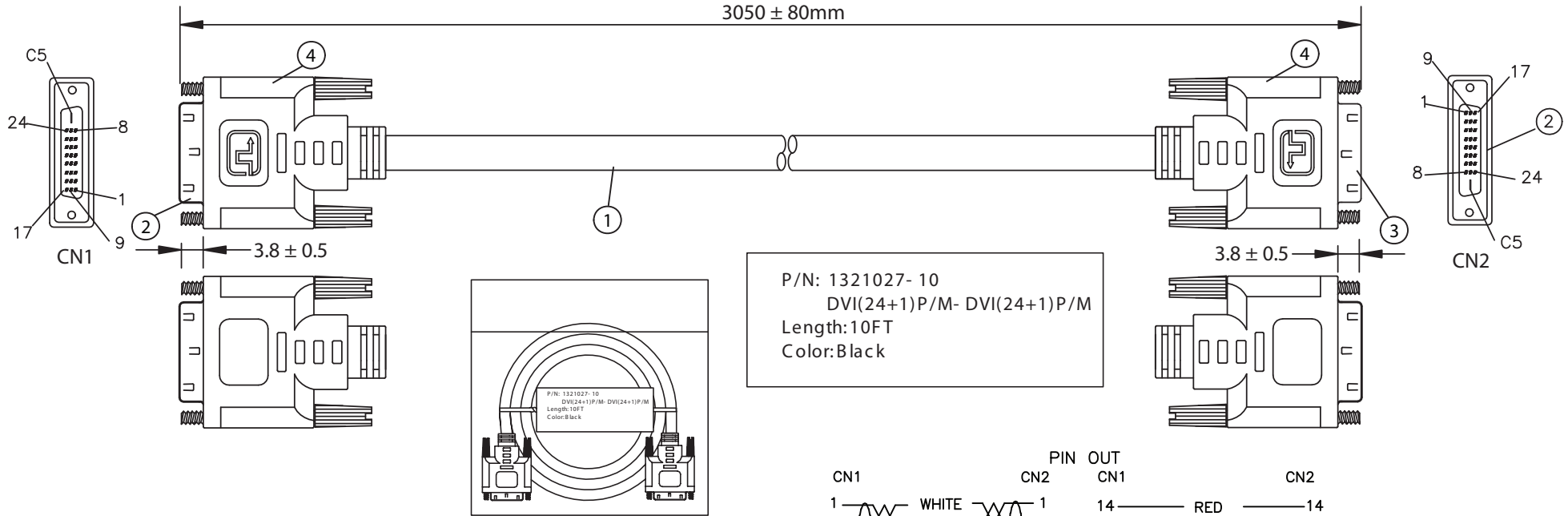


THESE DRAWINGS ARE THE PROPERTY OF QUALTEK ELECTRONICS AND NOT TO BE REPRODUCED FOR OR COMMUNICATED TO A THIRD PARTY WITHOUT THE EXPRESS WRITTEN PERMISSION OF AN OFFICER OF QUALTEK ELECTRONICS.

REVISION			
REV.	DESCRIPTION	DATE	APPROVED
B	Updated Notes and Graphics	11-18-15	LY



P/N: 1321027- 10  
 DVI(24+1)P/M- DVI(24+1)P/M  
 Length: 10FT  
 Color: Black

NOTES:

- CABLE: UL20276  
 (28AWG\*1PR+EAM)\*7+28AWG\*1PR+28AWG\*3C+AEB(AL) 65%  
 OUTER JACKET: BLACK, OD: 8.5 ± 0.2mm
- CONNECTOR: DVI 24+1 MALE  
 INSULATOR: BLACK  
 PIN G/F  
 NICKEL PLATED SHELL  
 THUMB SCREW: 2.8\*32.5mm 4-40UNC
- CONNECTOR: DVI 24+1 MALE  
 INSULATOR: BLACK  
 PIN G/F  
 NICKEL PLATED SHELL  
 THUMB SCREW: 2.8\*32.5mm 4-40UNC
- PVC MOLDED: COLOR V398 30P BLACK
- ELECTRICAL TEST:  
 <1>.100% OPEN SHORT & MISS WIRE TEST  
 <2>.INSULATION RESISTANCE: AC300V DC400V 10M ohm MIN.  
 <3>.CONDUCTOR RESISTANCE: 3 ohm MAX.
- PACKING: 1PC/POLYBAG

CN1		CN2		PIN OUT		CN1		CN2	
1	WHITE	1	WHITE	14	RED	14	RED	14	RED
2	GREEN	2	GREEN	15	VIOLET	15	VIOLET	15	VIOLET
3	DRAIN	3	DRAIN	16	WHITE	16	WHITE	16	WHITE
4	DRAIN	4	DRAIN	17	PINK	17	PINK	17	PINK
5	BLUE	5	BLUE	18	ORANGE	18	ORANGE	18	ORANGE
6	YELLOW	6	YELLOW	19	DRAIN	19	DRAIN	19	DRAIN
7	ORANGE	7	ORANGE	20	DRAIN	20	DRAIN	20	DRAIN
9	WHITE	9	WHITE	21	BLACK	21	BLACK	21	BLACK
10	RED	10	RED	22	GRAY	22	GRAY	22	GRAY
11	DRAIN	11	DRAIN	23	LIGHT-BLUE	23	LIGHT-BLUE	23	LIGHT-BLUE
12	DRAIN	12	DRAIN	24	VIOLET	24	VIOLET	24	VIOLET
13	WHITE	13	WHITE	22	DRAIN	22	DRAIN	22	DRAIN
	BROWN		BROWN	SHELL	BRAID & DRAIN	SHELL	BRAID & DRAIN	SHELL	BRAID & DRAIN

**CONTROLLED**

Dim range (mm)	Tolerance +/- (mm)	Qualtek Electronics Corp. WCI DIVISION		
		Part Number: 1321027-10	RoHS Compliant	
0-1	0.15	Description: DVI (24+1)P/M - DVI (24+1)P/M		
1-6	0.20		UNIT: mm	REV. B
6-18	0.30	Drawn / Date	Checked / Date	Approved / Date
18-50	0.50	B. Grubb 01-25-07	01-25-07	JJH / 01-25-07
50-120	0.70			
120-250	0.90			
250-500	1.20			

## X-ON Electronics

Largest Supplier of Electrical and Electronic Components

*Click to view similar products for [Audio Cables](#) / [Video Cables](#) / [RCA Cables](#) category:*

*Click to view products by [Qualtek](#) manufacturer:*

Other Similar products are found below :

[59384500100E](#) [RCA10RCA](#) [DB25M05DB25MY](#) [DB25M10DB25MY](#) [DB25M10XLRMXLRFY](#) [1-3737-600-3216](#) [15AK25X](#) [CA19](#) [CA20](#)  
[CAG34](#) [25FK25](#) [LF3BLX](#) [30-513](#) [28-511-0](#) [30-419](#) [30AR30](#) [30AK30](#) [30AN30](#) [RCA05RCA](#) [RCA05RCAB](#) [RCA05TS](#) [RCA10RCAB](#)  
[420001400-3](#) [426058900-3](#) [427493000-3](#) [49152A-010-S2](#) [TT6RX](#) [TT7BKX](#) [TT93602](#) [32-3766](#) [32HR07284X](#) [CA25B](#) [CA39](#)  
[DB25M02XLRMXLRFY](#) [LF1BKX](#) [LF3RX](#) [49442 010S2](#) [DVI-I-VGA/DVI-D-CBL-MATRIX](#) [VMP3YX](#) [VMP2YX](#) [TT746](#) [TT744](#) [CN13B](#)  
[MDC4P13](#) [MDC8P53](#) [LF4GNX](#) [LF2GYX](#) [426494200-3](#) [49153A 010S2](#) [LF1RX](#)