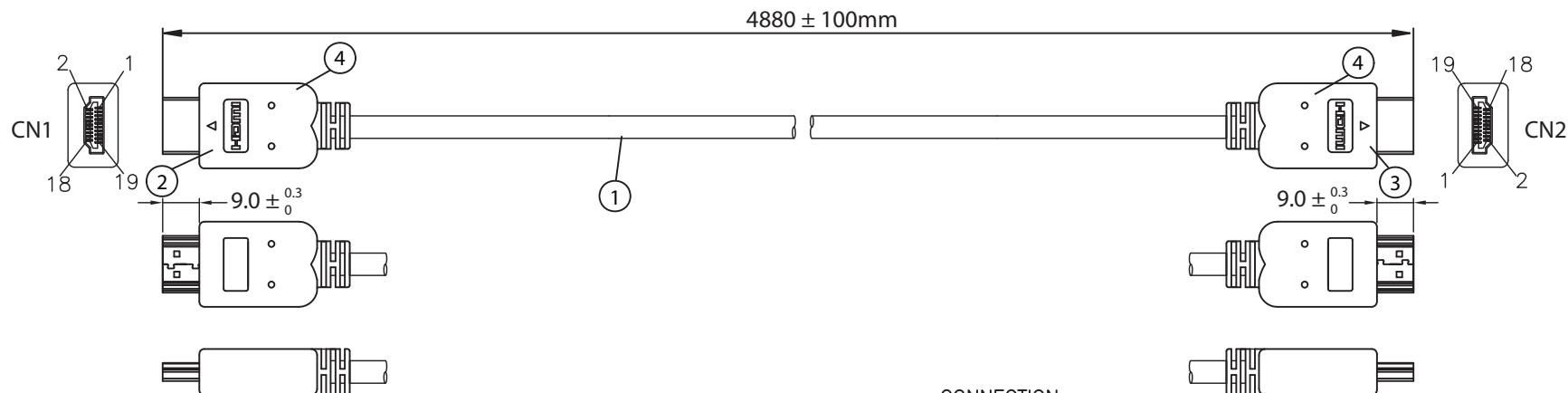
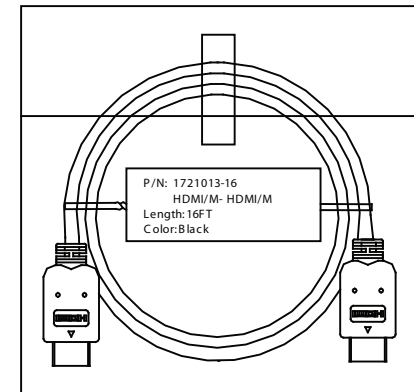
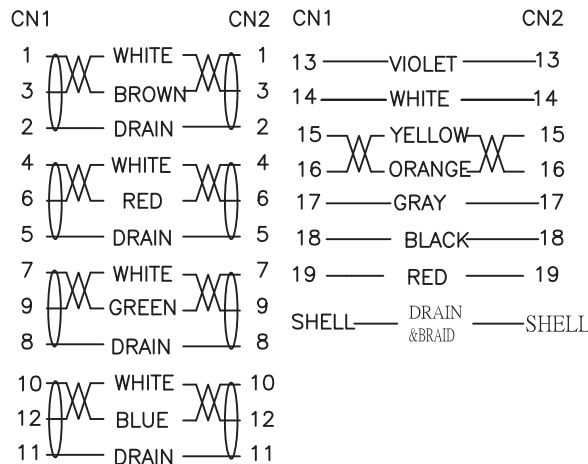


THESE DRAWINGS ARE THE PROPERTY OF QUALTEK ELECTRONICS AND NOT TO BE REPRODUCED FOR OR COMMUNICATED TO A THIRD PARTY WITHOUT THE EXPRESS WRITTEN PERMISSION OF AN OFFICER OF QUALTEK ELECTRONICS.

REVISION			
REV.	DESCRIPTION	DATE	APPROVED
A	Changed HDMI/M Mold Design / Changed Cable Spec /	03-12-07	DP
B	Updated Notes	12-04-09	LY
C	Updated Graphics, Notes, and Pin out	02-07-14	LY



CONNECTION



NOTES:

- CABLE: UL20276  
(26AWG\*1PR+EAM)\*4+26AWG\*1PR+26AWG\*5C+AEB (AL) 65%  
OUTER JACKET: BLACK, OD: 8.5 ± 0.2mm
- CONNECTOR: HDMI A 19P MALE  
INSULATOR: BLACK PBT  
PIN G/F  
NICKEL PLATED SHELL
- CONNECTOR: HDMI A 19P MALE  
INSULATOR: BLACK PBT  
PIN G/F  
NICKEL PLATED SHELL
- PVC MOLDED: 45P BLACK
- ELECTRICAL TEST:  
<1>.100% OPEN SHORT & MISS WIRE TEST  
<2>.INSULATION RESISTANCE: AC 300V DC400V 10M ohm MIN.  
<3>.CONDUCTOR RESISTANCE: 3 ohm MAX.
- 1PC/POLYBAG

**CONTROLLED**

Dim range (mm)	Tolerance +/- (mm)	Qualtek Electronics Corp. WCI DIVISION		
		Part Number:	1721013-16	RoHS Compliant
0-1	0.15	Description: HDMI/M - HDMI/M		
1-6	0.20			
6-18	0.30		UNIT: mm	REV. C
18-50	0.50		Checked / Date	Approved / Date
50-120	0.70	Drawn / Date		
120-250	0.90	B. Grubb 01-25-07	01-25-07	JJH / 01-25-07
250-500	1.20			

## X-ON Electronics

Largest Supplier of Electrical and Electronic Components

*Click to view similar products for [HDMI Cables](#) category:*

*Click to view products by [Qualtek](#) manufacturer:*

Other Similar products are found below :

[426301400-3](#) [68767-0003](#) [CA-MINIDP-HDMIF-10FT](#) [HP-19AFMM-SL7A01](#) [HP-19AFMM-SL7A05](#) [S-HDI-DVI-2](#) [S-HDI-DVI-5](#) [10HM-15128-01](#) [HD0003](#) [31888](#) [31889](#) [31893](#) [31897](#) [31908](#) [31911](#) [31913](#) [31914](#) [31915](#) [31919](#) [31920](#) [31921](#) [31923](#) [31925](#) [31926](#) [31929](#) [31930](#) [31932](#) [31935](#) [31936](#) [31937](#) [31938](#) [CV0036B](#) [CV0038](#) [CV0057B](#) [CV0058](#) [CV0058B](#) [CV0059B](#) [50580](#) [50581](#) [50582](#) [50989](#) [51579](#) [51586](#) [51724](#) [51957](#) [52859](#) [31890](#) [31891](#) [31892](#) [31894](#)