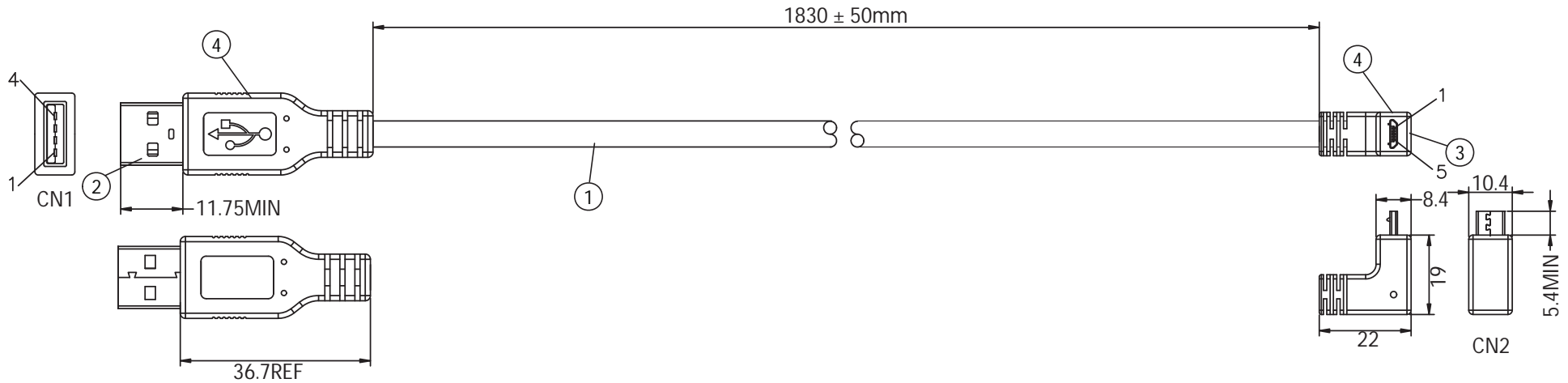
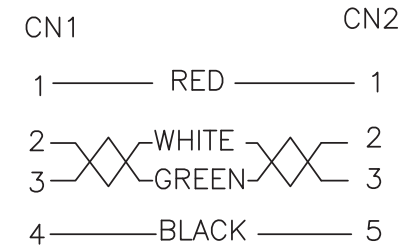


THESE DRAWINGS ARE THE PROPERTY OF QUALTEK ELECTRONICS AND NOT TO BE REPRODUCED FOR OR COMMUNICATED TO A THIRD PARTY WITHOUT THE EXPRESS WRITTEN PERMISSION OF AN OFFICER OF QUALTEK ELECTRONICS.

REVISION			
REV.	DESCRIPTION	DATE	APPROVED



CONNECTION



SHELL — BRAID & DRAIN — SHELL

NOTES:

- CABLE: UL2725  
28AWGx1PR+24AWGx2C+ AEB(AL) 65%  
OUTER JACKET: BLACK, OD: 4.5 ± 0.2mm
- CONNECTOR: USB 2.0 A TYPE MALE  
INSULATOR: WHITE PBT  
PIN G/F  
NICKEL PLATED SHELL
- CONNECTOR: MICRO USB 2.0 (B) 5P/M TYPE MALE  
INSULATOR: BLACK PBT  
PIN G/F  
NICKEL PLATED SHELL
- PVC MOLDED: COLOR 45P BLACK
- ELECTRICAL TEST:  
<1>.100% OPEN SHORT & MISS WIRE TEST  
<2>.INSULATION RESISTANCE: AC 300V DC300V 10M ohm MIN.  
<3>.CONDUCTOR RESISTANCE: 1 ohm MAX.
- PACKING: 1PC/POLYBAG W/ LABEL

**CONTROLLED**

Dim range (mm)	Tolerance +/- (mm)	Qualtek Electronics Corp. WCI DIVISION		
		Part Number: 3021076-06		RoHS Compliant
0-1	0.15	Description: USB 4P(A)/M - MICRO USB 5P(B)/M		
1-6	0.20			
6-18	0.30	UNIT: mm		
18-50	0.50	UNIT: mm		
50-120	0.70	Drawn / Date	Checked / Date	Approved / Date
120-250	0.90	R. Nuti 04-06-18	04-06-18	LY / 04-06-18
250-500	1.20			

## X-ON Electronics

Largest Supplier of Electrical and Electronic Components

*Click to view similar products for [USB Cables / IEEE 1394 Cables](#) category:*

*Click to view products by [Qualtek](#) manufacturer:*

Other Similar products are found below :

[68768-0173](#) [88764-0800](#) [148700-1](#) [AC102012-1](#) [AC102012-2](#) [45-1345-15](#) [45-1358-15](#) [45-1363-15](#) [IP-USB1\(C10\)S-RW](#)  
[CABLE/RTP/USB/DT](#) [45-1351-15](#) [45-1357-15](#) [45-1433-1](#) [10115240-12200LF](#) [687680278](#) [MDM9PH004B](#) [MDM9PH004P](#) [FTP-629Y401](#)  
[FTP-628Y302](#) [FTP-628Y402](#) [UA-30AMFM-SL7B01](#) [UA-30AMFM-SL7B03](#) [UES-1001A160](#) [UES-1003A160](#)  
[USBFTV2PEMSA2N10OPEN](#) [FTP-629Y602](#) [USBCAMCM100](#) [USB A/F\\*2 to 2.54 2\\*5P-SH L=400mm](#) [103-1020-BL-00100](#) [103-1030-BL-](#)  
[F0300](#) [103-1092-BL-F0200](#) [105-1092-BL-00300](#) [105-1092-BL-00200](#) [105-1031-BL-00200](#) [105-1032-RE-B0200](#) [103-1020-BL-00300](#) [103-](#)  
[1010-BL-00200](#) [103-1020-BL-00200](#) [9370-P](#) [9372-0-15-01-13-14-10-0](#) [USBFTV2SA2G10OPEN](#) [103-1030-BL-F0200](#) [105-1032-RE-B0100](#)  
[105-1032-RE-B0050](#) [105-1032-SV-B0200](#) [10-00003](#) [BERTVW19](#) [KUCA1](#) [USBF21GSCC](#) [3004-235](#)