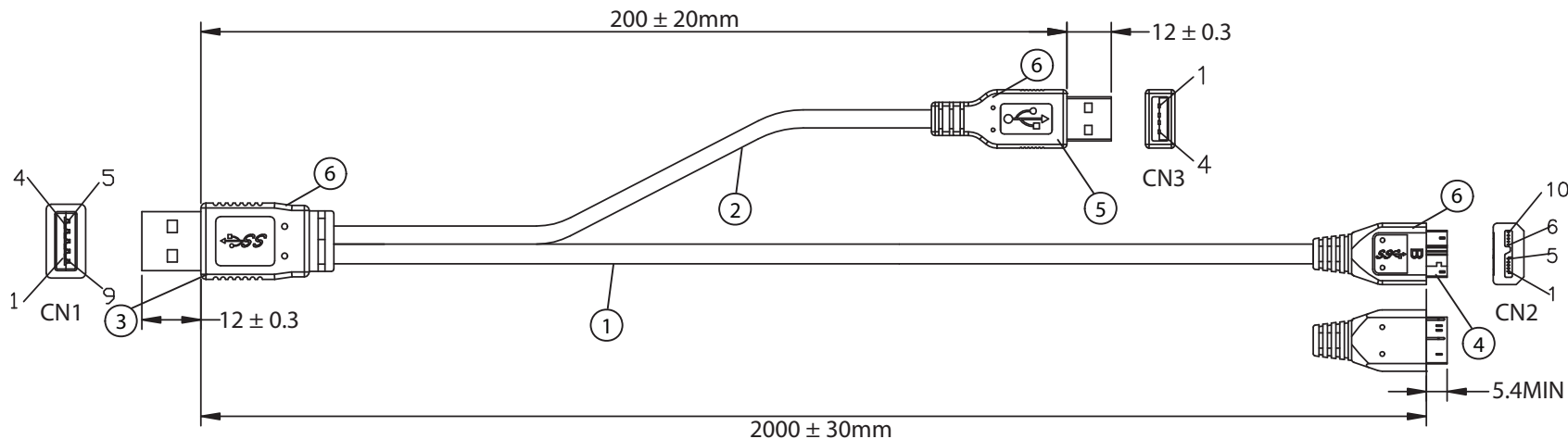


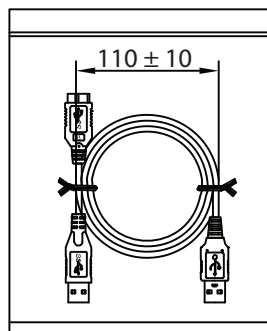
THESE DRAWINGS ARE THE PROPERTY OF QUALTEK ELECTRONICS AND NOT TO BE REPRODUCED FOR OR COMMUNICATED TO A THIRD PARTY WITHOUT THE EXPRESS WRITTEN PERMISSION OF AN OFFICER OF QUALTEK ELECTRONICS.

REVISION			
REV.	DESCRIPTION	DATE	APPROVED
B	Updated Graphics and Notes	10-13-14	LY



NOTES:

- CABLE: UL20276
(30AWG*1PR+EAM)*2+30AWG*1PR+24AWG*2C+AEB(AL) 65%
OUTER JACKET: BLACK, OD: 5.5 ± 0.2mm
- CABLE: UL2725
30AWG*1PR+28AWG*2C+AEB(48B AL)
OUTER JACKET: BLACK, OD: 3.5 ± 0.2mm
- CONNECTOR: USB 3.0 A TYPE MALE
INSULATOR: BLUE PBT
PIN G/F
NICKEL PLATED SHELL
- CONNECTOR: MICRO USB 3.0 B TYPE MALE
INSULATOR: BLACK
PIN G/F
NICKEL PLATED SHELL
- CONNECTOR: USB 2.0 A TYPE MALE
INSULATOR: BLACK PBT
PIN G/F
NICKEL PLATED SHELL
- PVC MOLDED: V398 45P BLACK
- PACKING: 1PC/POLYBAG
- ELECTRICAL TEST:
 - <1>.100% OPEN SHORT & MISS WIRE TEST
 - <2>.INSULATION RESISTANCE: AC/DC300V 10M ohm MIN.
 - <3>.CONDUCTOR RESISTANCE: 2 ohm MAX.



PIN OUT			
CN3	CN1	CN2	
1 — RED	1 — RED	1	
	2 — WHITE	2	
	3 — GREEN	3	
4 — BLACK	4 — BLACK	5	
	5 — BLUE	6	
	6 — YELLOW	7	
	7 — DRAIN WIRE	8	
	8 — PURPLE	9	
	9 — ORANGE	10	
SHELL — BRAID	SHELL — BRAID	SHELL	

CONTROLLED

Dim range (mm)	Tolerance +/- (mm)	Qualtek Electronics Corp. WCI DIVISION		
		Part Number: 3023023-02M		RoHS Compliant
0-1	0.15	Description: USB 3.0 A/M - MICRO USB 3.0 B/M + POWER CABLE		
1-6	0.20			
6-18	0.30			
18-50	0.50			
50-120	0.70			
120-250	0.90			
250-500	1.20			
		UNIT: mm	REV. B	
		Drawn / Date	Checked / Date	Approved / Date
		R.Nuti 06-25-10	06-25-10	LY / 06-25-10

X-ON Electronics

Largest Supplier of Electrical and Electronic Components

Click to view similar products for [USB Cables / IEEE 1394 Cables](#) category:

Click to view products by [Qualtek](#) manufacturer:

Other Similar products are found below :

[68768-0173](#) [FNY-W6003-01](#) [88764-0800](#) [148700-1](#) [17-200621](#) [17-250051P](#) [954](#) [17-200261](#) [AC102012-1](#) [AC102012-2](#) [FTP-629Y601](#) [45-1345-15](#) [45-1358-15](#) [45-1363-15](#) [IP-USB1\(C10\)S-RW](#) [CABLE/RTP/USB/DT](#) [45-1351-15](#) [45-1357-15](#) [45-1433-1](#) [687680278](#)
[USBFTVX2SA2N03A](#) [USBFTV2SA2N03A](#) [USBFTV2SA2N05A](#) [FTP-629Y401](#) [FTP-628Y302](#) [FTP-628Y402](#) [CSMNB9MF-5](#) [FNY-W6022](#) [UA-30AMF-SD7B03](#) [UA-30AMFM-SL7B03](#) [USBAPSCC7202A](#) [17-200641](#) [UES-1001A160](#) [UES-1003A160](#)
[USBFTVX7SA2N20A](#) [USBFTV2PEMSA2N10A](#) [FTP-629Y602](#) [USBCAMCM100](#) [USB A/F*2 to 2.54 2*5P-SH L=400mm](#) [68784-0075](#)
[MINI-SCREW-USB-DATACABLE](#) [19800-010500-200-RS](#) [103-1092-BL-F0050](#) [103-1020-BL-00100](#) [103-1092-BL-F0200](#) [103-1092-BL-F0100](#) [105-1092-BL-00300](#) [105-1092-BL-00200](#) [105-1031-BL-00200](#) [105-1032-RE-B0200](#)