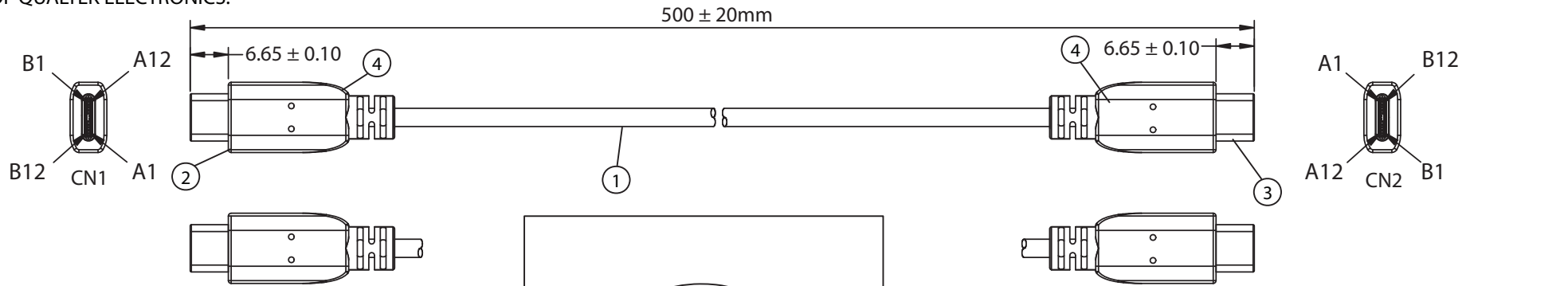
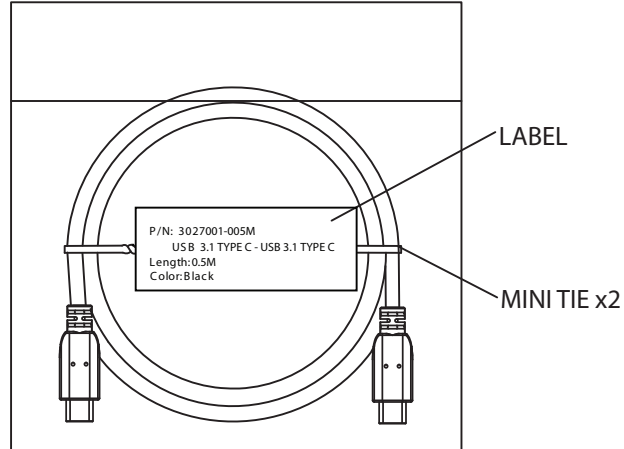


THESE DRAWINGS ARE THE PROPERTY OF QUALTEK ELECTRONICS AND NOT TO BE REPRODUCED FOR OR COMMUNICATED TO A THIRD PARTY WITHOUT THE EXPRESS WRITTEN PERMISSION OF AN OFFICER OF QUALTEK ELECTRONICS.

REVISION			
REV.	DESCRIPTION	DATE	APPROVED
B	Updated Voltage Rating	10-31-17	LY



P/N: 3027001-005M
 USB 3.1 TYPE C - USB 3.1 TYPE C
 Length: 0.5M
 Color: Black



PIN OUT		
CN1		CN2
A4, A9, B4, B9	RED(26AWG*2C)	A4, A9, B4, B9
A1, A12, B1, B12	DRAIN(26AWG*2C)	A1, A12, B1, B12
A5	BLUE(32AWG)	A5
B5	YELLOW(32AWG)	B5
A6	GREEN	A6
A7	WHITE	A7
A2	YELLOW(LUCENCY MYLAR)	B11
A3	BLUE(LUCENCY MYLAR)	B10
A1, A12, B1, B12	DRAIN	A1, A12, B1, B12
B11	ORANGE(LUCENCY MYLAR)	A2
B10	PURPLE(LUCENCY MYLAR)	A3
A1, A12, B1, B12	DRAIN	A1, A12, B1, B12
B2	YELLOW(BLUE MYLAR)	A11
B3	BLUE(BLUE MYLAR)	A10
A1, A12, B1, B12	DRAIN	A1, A12, B1, B12
A11	ORANGE(BLUE MYLAR)	B2
A10	PURPLE(BLUE MYLAR)	B3
A1, A12, B1, B12	DRAIN	A1, A12, B1, B12
A8	RED(32AWG)	B8
B8	BLACK(32AWG)	A8
SHELL	BRAID	SHELL

NOTES:

- CABLE: UL2725
 (7/0.085TAX1PR+EAM)x4+7/0.08TAX1PR+19/0.1TAX2C+
 7/0.08TAX4C+19/0.10TAX2+CONDUCTIVE FILM(PE)+ B 85%
 PVC OUTER JACKET: BLACK, OD: 4.8 ± 0.2mm
- CONNECTOR: USB 3.1 GEN 2 TYPE C MALE
 INSULATOR: BLACK PBT
 PIN GOLD PLATED
 NICKEL PLATED SHELL
 PCB WITH E-MARKER
- CONNECTOR: USB 3.1 GEN 2 TYPE C MALE
 INSULATOR: BLACK PBT
 PIN GOLD PLATED
 NICKEL PLATED SHELL
- PVC MOLDED: COLOR V398 45P BLACK
- ELECTRICAL TEST:
 <1>.100% OPEN SHORT & MISS WIRE TEST
- DATA TRANSFER RATE UP TO 10Gbps (NOMINAL)
- CURRENT RATING UP TO 5A (NOMINAL)
- VOLTAGE RATING UP TO 20V (NOMINAL)
- PACKING: 1PC/POLYBAG W/ LABEL

CONTROLLED

Dim range (mm)	Tolerance +/- (mm)	Qualtek Electronics Corp. WCI DIVISION		
0-1	0.15	Part Number: 3027001-005M RoHS Compliant		
1-6	0.20	Description: USB 3.1(C)/M - USB 3.1 (C)/M		
6-18	0.30	UNIT: mm		REV. B
18-50	0.50	Drawn / Date	Checked / Date	Approved / Date
50-120	0.70	R. Nuti	08-24-15	LY / 08-24-15
120-250	0.90			
250-500	1.20			

X-ON Electronics

Largest Supplier of Electrical and Electronic Components

Click to view similar products for [USB Cables / IEEE 1394 Cables](#) category:

Click to view products by [Qualtek](#) manufacturer:

Other Similar products are found below :

[68768-0173](#) [FNY-W6003-01](#) [88764-0800](#) [148700-1](#) [17-200621](#) [17-250051P](#) [954](#) [17-200261](#) [AC102012-1](#) [AC102012-2](#) [FTP-629Y601](#) [45-1345-15](#) [45-1358-15](#) [45-1363-15](#) [IP-USB1\(C10\)S-RW](#) [CABLE/RTP/USB/DT](#) [45-1351-15](#) [45-1357-15](#) [45-1433-1](#) [687680278](#)
[USBFTVX2SA2N03A](#) [USBFTV2SA2N03A](#) [USBFTV2SA2N05A](#) [MDM9PH004B](#) [MDM9PH004P](#) [FTP-629Y401](#) [FTP-628Y302](#) [FTP-628Y402](#) [CSMNB9MF-5](#) [FNY-W6022](#) [UA-30AMF-SD7B03](#) [UA-30AMFM-SL7B03](#) [USBAPSCC7202A](#) [17-200641](#) [UES-1001A160](#) [UES-1003A160](#) [USBFTVX7SA2N20A](#) [USBFTV2PEMSA2N10A](#) [FTP-629Y602](#) [USBCAMCM100](#) [USB A/F*2 to 2.54 2*5P-SH L=400mm](#)
[68784-0075](#) [MINI-SCREW-USB-DATACABLE](#) [19800-010500-200-RS](#) [103-1092-BL-F0050](#) [103-1020-BL-00100](#) [103-1092-BL-F0200](#) [103-1092-BL-F0100](#) [105-1092-BL-00300](#) [105-1092-BL-00200](#)