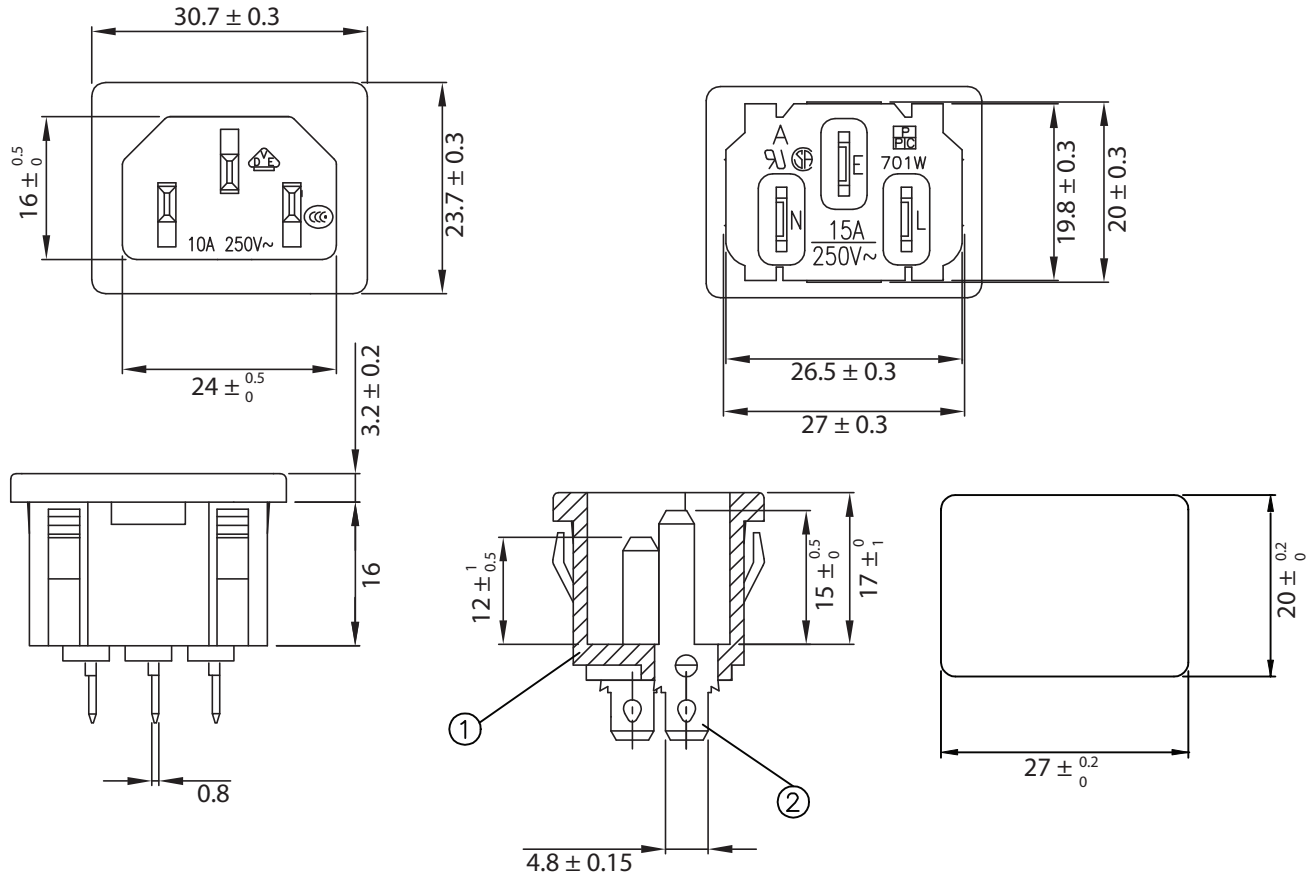


THESE DRAWINGS ARE THE PROPERTY OF QUALTEK ELECTRONICS AND NOT TO BE REPRODUCED FOR OR COMMUNICATED TO A THIRD PARTY WITHOUT THE EXPRESS WRITTEN PERMISSION OF AN OFFICER OF QUALTEK ELECTRONICS.

REVISION			
REV.	DESCRIPTION	DATE	APPROVED
B	RoHS Compliancy	06-01-06	DP
C	Updated Dimensions	06-30-08	DP
D	Updated Panel Thickness, Cutout, and Approvals	03-03-16	LY



**CONTROLLED**

NOTES:

RATING:

UL, CSA: 15A 250V AC  
 VDE, CCC: 10A 250V AC  
 INSULATION RESISTANCE: OVER 100M OHM 500V DC  
 DIELECTRIC RESISTANCE: 2000V AC ONE MINUTE  
 PANEL THICKNESS: 0.8mm ~ 1.5mm  
 APPROVALS: UL, CSA, VDE, CCC  
 RoHS COMPLIANT

2	Contact Pin Brass Strip Tin-Plated	3	
1	Body Insulator Nylon Black Color	1	
		<b>Qualtek Electronics Corp.</b>	
		<b>PPC DIVISION</b>	
		Part Number:	701W-X2/03 <span style="border: 1px solid green; padding: 2px;">RoHS Compliant</span>
		Description:	
		<b>AC RECEPTACLE</b>	
Dim range (mm)	Tolerance +/- (mm)		
0-1	0.15		
1-6	0.20		
6-18	0.30		
18-50	0.50		
50-120	0.70	UNIT: mm	REV. D
120-250	0.90	Drawn / Date	Checked / Date
250-500	1.20	B.Zhang 05-24-05	05-24-05
		Approved / Date	JJH / 05-24-05

## X-ON Electronics

Largest Supplier of Electrical and Electronic Components

*Click to view similar products for [AC Power Entry Modules](#) category:*

*Click to view products by [Qualtek](#) manufacturer:*

Other Similar products are found below :

[0098.0050](#) [6167.0002](#) [6609100-2](#) [7-6609955-2](#) [FKI2-50-6/M5](#) [FN361-6-06](#) [FN389-4-22](#) [FN9226B-6-02](#) [FN9233S1-10-06](#) [FN9233S1-8-06](#)  
[FN9233S1B-8-06](#) [FN9233S1R-1-06](#) [FN9233S1R-12-06](#) [FN9233SB-1-06](#) [FN9233SB-12-06](#) [FN9233SB-8-06](#) [FN9233SR-10-06](#) [FN9244B-15-06HI](#) [FN9244EB-3-06](#) [FN9244EB-8-06](#) [FN9244ER-15-06](#) [FN9244ER-8-06](#) [FN9244ES1-8-06](#) [FN9244ESB-8-06](#) [FN9244R-12-06](#)  
[FN9244S1-12-06](#) [FN9244S1R-3-06](#) [FN9244SB-8-06](#) [FN9244SR-6-06](#) [FN9244U-3-06](#) [FN9244U-8-06](#) [8-6609940-2](#) [PE00SSSXB](#) [Fuse-H-EUR-1](#) [Fuse-H-USA-1](#) [PM00XD000](#) [A-0701-HT-H](#) [15EJMS8](#) [1-6609941-2](#) [200JM6-2](#) [CA121003-6](#) [SK-1015\(F1-5\)](#) [161-R3015-E](#) [1-6609153-2](#) [FN323-1-05](#) [FN9233B-8-06](#) [FN9233EB-1-06](#) [FN9233ES1R-10-06](#) [FN9233R-12-06](#) [FN9233S-10-06](#)