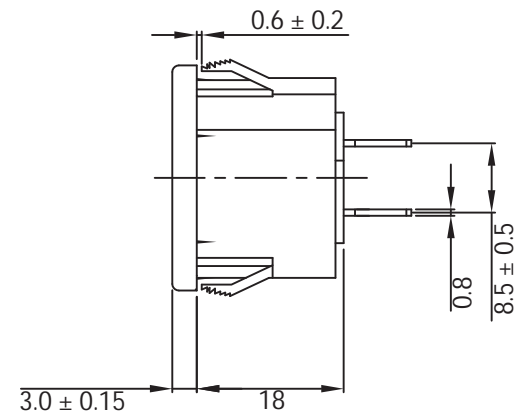
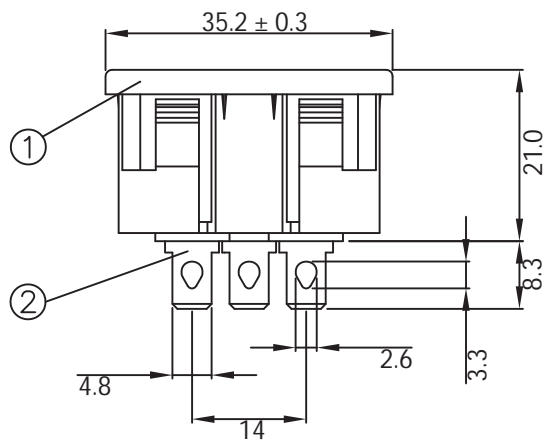
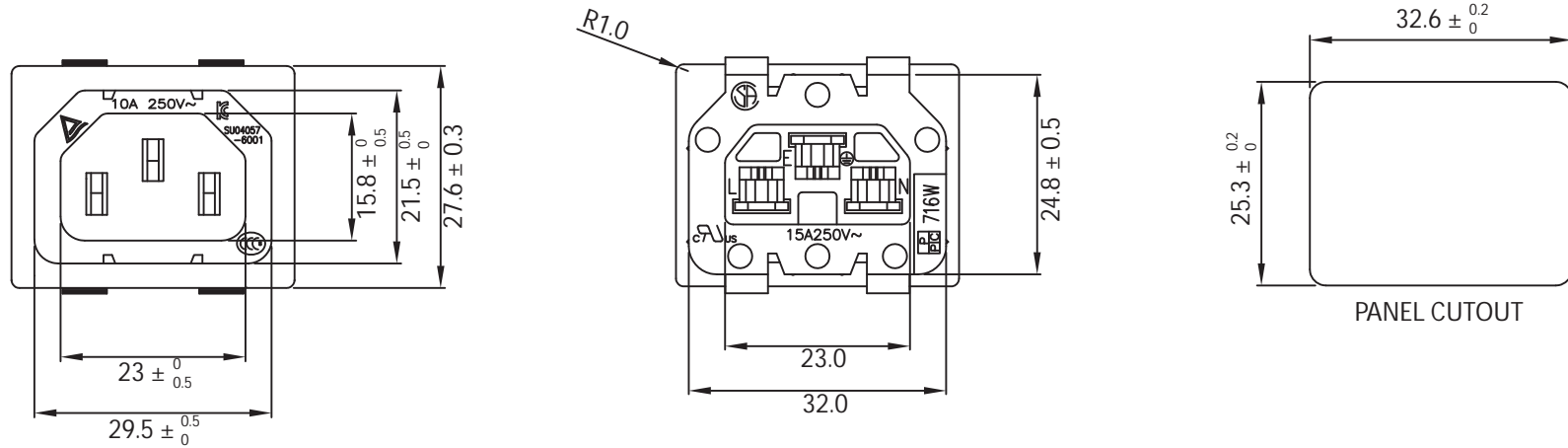


THESE DRAWINGS ARE THE PROPERTY OF QUALTEK ELECTRONICS AND NOT TO BE REPRODUCED FOR OR COMMUNICATED TO A THIRD PARTY WITHOUT THE EXPRESS WRITTEN PERMISSION OF AN OFFICER OF QUALTEK ELECTRONICS.

REVISION			
REV.	DESCRIPTION	DATE	APPROVED
B	RoHS Compliancy	06-01-06	DP
C	Updated Approvals and Notes	01-26-16	LY
D	Depth Change to meet UL 60320	11-26-18	LY



**CONTROLLED**

NOTES:

RATING:

UL, CSA: 15A 250V AC  
TUV, CCC: 10A 250V AC  
APPROVALS: UL, CSA, TUV, CCC  
PANEL THICKNESS: 0.8~2.0mm  
RoHS COMPLIANT

2	Contact PIN Brass Strip t=0.8mm Tin-Plated	3	
1	Body Insulator PC Black Color UL94V-0	1	
		<b>Qualtek Electronics Corp.</b>	
		<b>PPC DIVISION</b>	
		Part Number: <b>716W-X2/02</b> <span style="border: 1px solid green; padding: 2px;">RoHS Compliant</span>	
		Description: <b>AC RECEPTACLE</b>	
0-1	0.40	UNIT: mm	REV. D
1-6	0.40		
6-18	0.50	UNIT: mm	REV. D
18-50	0.50		
50-120	0.70	Drawn / Date	Checked / Date
120-250	0.90	B.ZHANG	07-14-05
250-500	1.20	07-14-05	JJH / 07-14-05

## X-ON Electronics

Largest Supplier of Electrical and Electronic Components

*Click to view similar products for [AC Power Entry Modules](#) category:*

*Click to view products by [Qualtek](#) manufacturer:*

Other Similar products are found below :

[0098.0050](#) [6167.0002](#) [6609100-2](#) [7-6609955-2](#) [FKI2-50-6/M5](#) [FN361-6-06](#) [FN389-4-22](#) [FN9226B-6-02](#) [FN9233S1-10-06](#) [FN9233S1-8-06](#)  
[FN9233S1B-8-06](#) [FN9233S1R-1-06](#) [FN9233S1R-12-06](#) [FN9233SB-1-06](#) [FN9233SB-12-06](#) [FN9233SB-8-06](#) [FN9233SR-10-06](#) [FN9244B-15-06HI](#) [FN9244EB-3-06](#) [FN9244EB-8-06](#) [FN9244ER-15-06](#) [FN9244ER-8-06](#) [FN9244ES1-8-06](#) [FN9244ESB-8-06](#) [FN9244R-12-06](#)  
[FN9244S1-12-06](#) [FN9244S1R-3-06](#) [FN9244SB-8-06](#) [FN9244SR-6-06](#) [FN9244U-3-06](#) [FN9244U-8-06](#) [8-6609940-2](#) [PE00SSSXB](#) [Fuse-H-EUR-1](#) [Fuse-H-USA-1](#) [PM00XD000](#) [A-0701-HT-H](#) [15EJMS8](#) [1-6609941-2](#) [200JM6-2](#) [CA121003-6](#) [SK-1015\(F1-5\)](#) [161-R3015-E](#) [1-6609153-2](#) [FN323-1-05](#) [FN9233B-8-06](#) [FN9233EB-1-06](#) [FN9233ES1R-10-06](#) [FN9233R-12-06](#) [FN9233S-10-06](#)