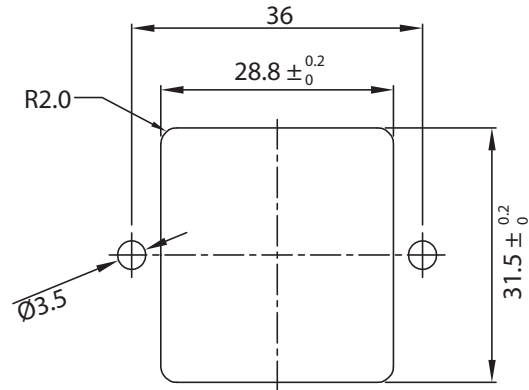
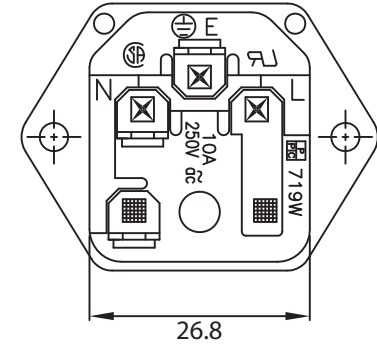
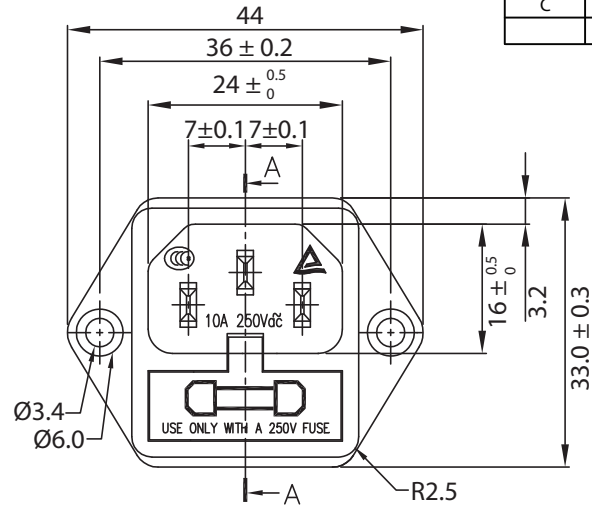
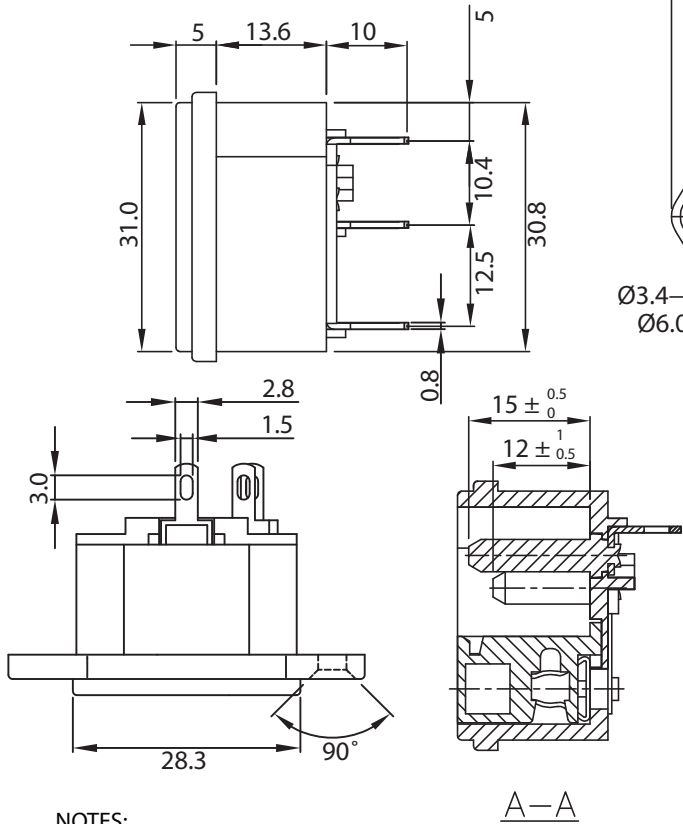
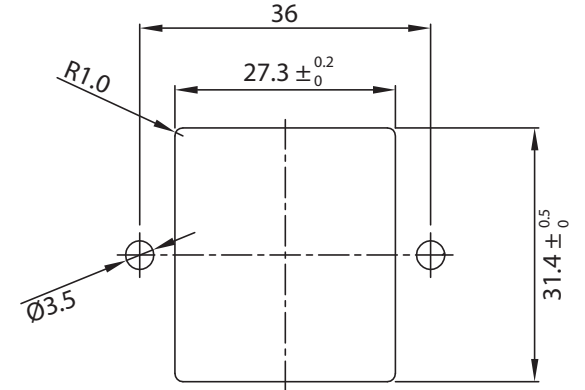


THESE DRAWINGS ARE THE PROPERTY OF QUALTEK ELECTRONICS AND NOT TO BE REPRODUCED FOR OR COMMUNICATED TO A THIRD PARTY WITHOUT THE EXPRESS WRITTEN PERMISSION OF AN OFFICER OF QUALTEK ELECTRONICS.

REVISION			
REV.	DESCRIPTION	DATE	APPROVED
B	RoHS Compliancy	06-01-06	DP
C	Updated Approvals and Added Dimension Specifications	06-29-16	LY



PANEL CUTOUT
INLET FLANGE MOUNTED BEHIND PANEL



PANEL CUTOUT
INLET FLANGE MOUNTED IN FRONT OF PANEL

NOTES:

MATERIAL:

- MOULDING: NYLON, FLAMMABILITY RATING UL 94 V-0
- CONTACTS: BRASS, PINS NICKEL PLATED, TAGS TIN PLATED
- RATING: 10A 250V AC
- CONTACT RESISTANCE: <10m OHM
- INSULATION RESISTANCE: >100M OHM 500VDC MIN
- DIELECTRICS STRENGTH: 2000VAC/1mA 1MIN
- A.C. BREAKDOWN:
 - POLE-POLE: 5kV
 - POLES-PANEL: 4.0kV
- OPERATING TEMPERATURE: -10 °C TO +60 °C
- APPROVALS: UL, CSA, TUV, CCC
- DUAL FUSEHOLDER, ONE ACTIVE, ONE SPARE
- FUSES NOT INCLUDED - RECOMMENDED SIZE: 5 X 20mm
- RECOMMENDED SCREW SIZE: M3.0
- RoHS COMPLIANT

CONTROLLED

Dim range (mm)	Tolerance +/- (mm)	Qualtek Electronics Corp. PPC DIVISION		
		Part Number:	719W-00/02	RoHS Compliant
0-1	0.15	Description: AC RECEPTACLE		
1-6	0.20			
6-18	0.30	UNIT: mm		
18-50	0.50			
50-120	0.70	Drawn / Date	Checked / Date	REV. C
120-250	0.90	B.Zhang 01-21-03	01-21-03	Approved / Date
250-500	1.20			JJH / 01-21-03

X-ON Electronics

Largest Supplier of Electrical and Electronic Components

Click to view similar products for [AC Power Entry Modules](#) category:

Click to view products by [Qualtek](#) manufacturer:

Other Similar products are found below :

[0098.0050](#) [6167.0002](#) [6609100-2](#) [7-6609955-2](#) [FKI2-50-6/M5](#) [FN361-6-06](#) [FN389-4-22](#) [FN9226B-6-02](#) [FN9233S1-10-06](#) [FN9233S1-8-06](#)
[FN9233S1B-8-06](#) [FN9233S1R-1-06](#) [FN9233S1R-12-06](#) [FN9233SB-1-06](#) [FN9233SB-12-06](#) [FN9233SB-8-06](#) [FN9233SR-10-06](#) [FN9244B-15-06HI](#) [FN9244EB-3-06](#) [FN9244EB-8-06](#) [FN9244ER-15-06](#) [FN9244ER-8-06](#) [FN9244ES1-8-06](#) [FN9244ESB-8-06](#) [FN9244R-12-06](#)
[FN9244S1-12-06](#) [FN9244S1R-3-06](#) [FN9244SB-8-06](#) [FN9244SR-6-06](#) [FN9244U-3-06](#) [FN9244U-8-06](#) [8-6609940-2](#) [PE00SSSXB](#) [Fuse-H-EUR-1](#) [Fuse-H-USA-1](#) [PM00XD000](#) [A-0701-HT-H](#) [15EJMS8](#) [1-6609941-2](#) [200JM6-2](#) [CA121003-6](#) [SK-1015\(F1-5\)](#) [161-R3015-E](#) [1-6609153-2](#) [FN323-1-05](#) [FN9233B-8-06](#) [FN9233EB-1-06](#) [FN9233ES1R-10-06](#) [FN9233R-12-06](#) [FN9233S-10-06](#)