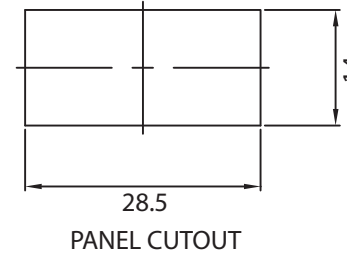
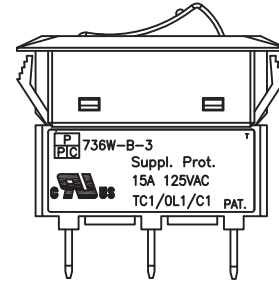
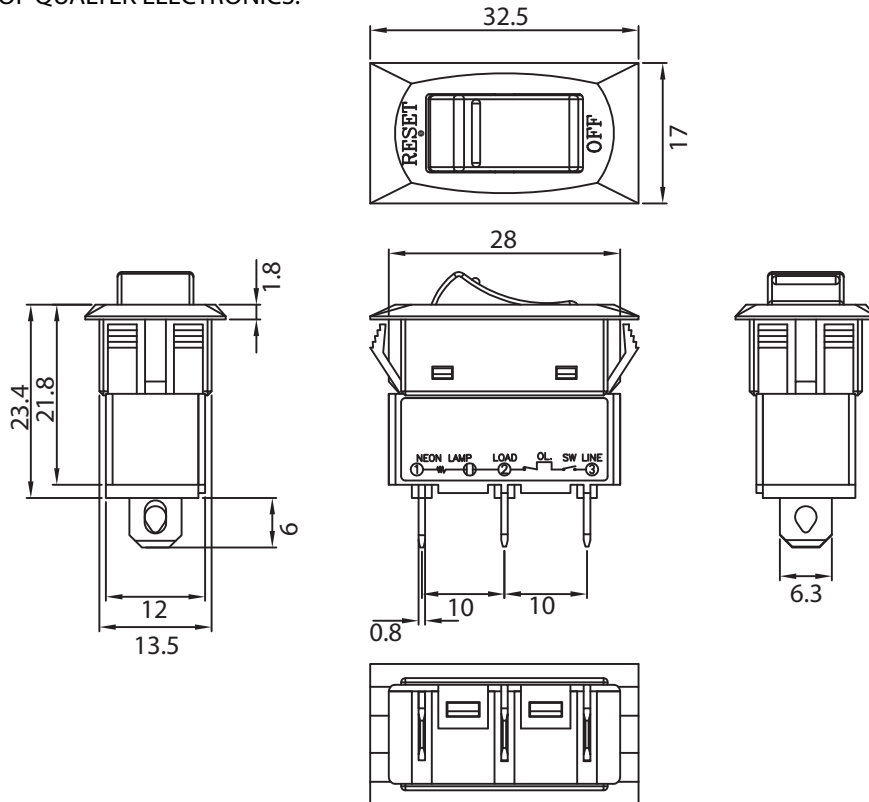


THESE DRAWINGS ARE THE PROPERTY OF QUALTEK ELECTRONICS AND NOT TO BE REPRODUCED FOR OR COMMUNICATED TO A THIRD PARTY WITHOUT THE EXPRESS WRITTEN PERMISSION OF AN OFFICER OF QUALTEK ELECTRONICS.

REVISION			
REV.	DESCRIPTION	DATE	APPROVED



CIRCUIT BREAKER TRIP TIME VS AMPERES			
Model Number	Current Rating	Overload Percentage	Trip Time (in seconds) VS Amperes at +25 °C
736W-B/301	7-15A	100%	No Trip
		150%	Trip in 1 hour
		200%	5~35
		300%	1~10
		400%	0.45~5.5
		500%	0.25~3.5
		600%	0.1~2.0

TRIP TIME FACTOR			
-10°C	X1.70	30°C	X0.90
0°C	X1.50	40°C	X0.80
10°C	X1.30	50°C	X0.70
20°C	X1.10	60°C	X0.60
25°C	X1.00	-	-

NOTES:

RATING: 15A 125V AC
 OPERATING TEMPERATURE: -10°C TO +60°C
 BODY COLOR: BLACK
 ACTUATOR COLOR: RED
 PRINT COLOR: WHITE
 ILLUMINATED SWITCH
 APPROVALS: UL, cUL
 RoHS COMPLIANT

CONTROLLED

Dim range (mm)	Tolerance +/- (mm)	Qualtek Electronics Corp. PPC DIVISION		
		Part Number: 736W-B/301	RoHS Compliant	
0-1	0.15	Description: CIRCUIT BREAKER/SWITCH ILLUMINATED WITH BLACK BODY AND RED ACTUATOR		
1-6	0.20			
6-18	0.30	UNIT: mm		
18-50	0.50	Drawn / Date	Checked / Date	Approved / Date
50-120	0.70	R. Nuti	04-06-14	LY / 04-06-14
120-250	0.90	04-06-14	04-06-14	LY / 04-06-14
250-500	1.20			

X-ON Electronics

Largest Supplier of Electrical and Electronic Components

Click to view similar products for [Circuit Breakers](#) category:

Click to view products by [Qualtek](#) manufacturer:

Other Similar products are found below :

[LUGZX66-1-61-20.0-44](#) [M39019/01-201S](#) [M39019/01-221](#) [M39019/01-323](#) [M39019/01-333](#) [M39019/01-336](#) [M39019/02-248](#) [M39019/02-311](#) [M39019/02-316](#) [M39019/04-249S](#) [M39019/05-246S](#) [M39019/06-254S](#) [M55629/1-016](#) [M55629/1-018](#) [M55629/1-021](#) [M55629/1-033](#) [M55629/1-036](#) [M55629/1-046](#) [M55629/1-048](#) [M55629/1-058](#) [M55629/1-067](#) [M55629/1-070](#) [M55629/1-079](#) [M55629/1-084](#) [M55629/1-085](#) [M55629/1-101](#) [M55629/1-109](#) [M55629/11-102](#) [M55629/1-120](#) [M55629/12-045](#) [M55629/12-046](#) [M55629/1-330](#) [M55629/1-366](#) [M55629/1-387](#) [M55629/1-401](#) [M55629/1-450](#) [M55629/2-022](#) [M55629/2-030](#) [M55629/2-072](#) [M55629/2-082](#) [M55629/2-099](#) [M55629/2-101](#) [M55629/2-102](#) [M55629/21-BM-BM](#) [M55629/21-HM-HM](#) [M55629/21-NS-NS](#) [M55629/22-NR-NR-NR](#) [M55629/22-RS-RS-RS](#) [M55629/2-347](#) [M55629/2-401](#)