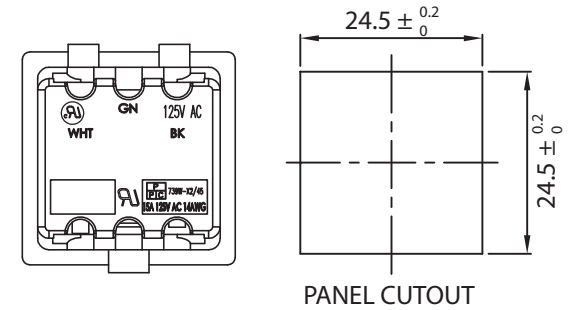
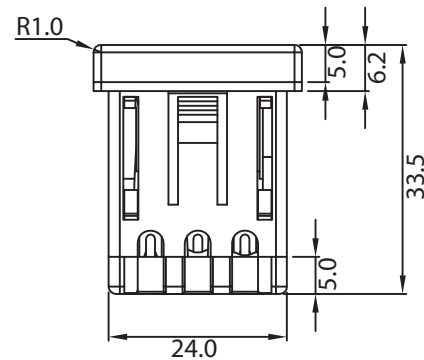
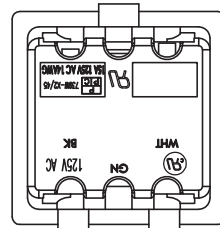
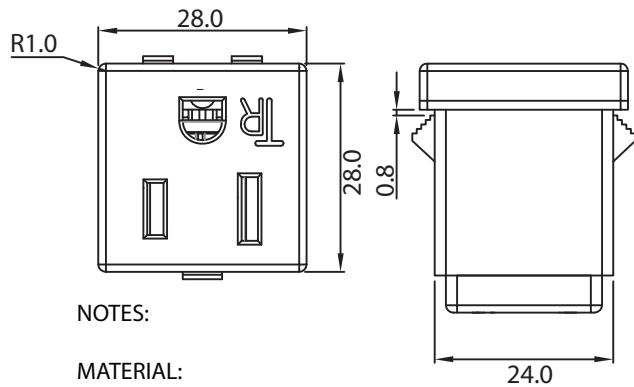
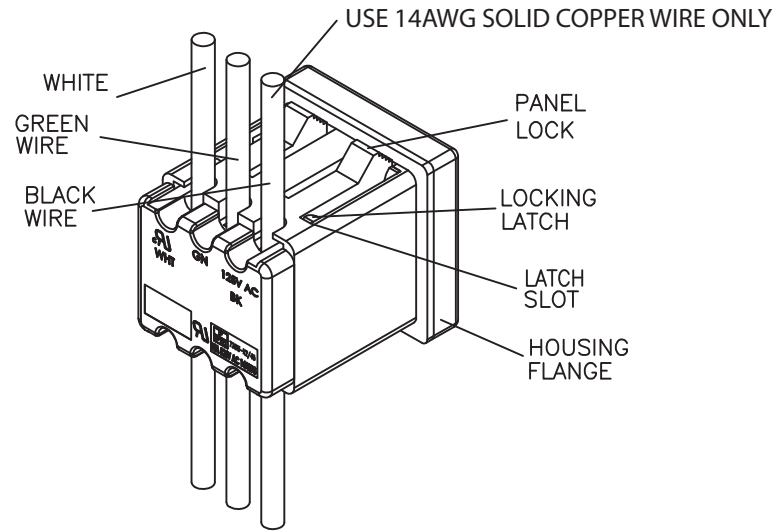


THESE DRAWINGS ARE THE PROPERTY OF QUALTEK ELECTRONICS AND NOT TO BE REPRODUCED FOR OR COMMUNICATED TO A THIRD PARTY WITHOUT THE EXPRESS WRITTEN PERMISSION OF AN OFFICER OF QUALTEK ELECTRONICS.

| REVISION | | | |
|----------|-------------|------|----------|
| REV. | DESCRIPTION | DATE | APPROVED |
| | | | |
| | | | |
| | | | |



NOTES:

MATERIAL:

- TOP COVER: PC BLACK COLOR
- BODY: NYLON 66 BLACK COLOR
- SPRING: SWC
- SHUTTER: POM WHITE COLOR
- BACK COVER: PC BLACK COLOR
- GN TERMINAL: BRASS t=0.4mm
- BK TERMINAL: BRASS t=0.4mm
- WHT TERMINAL: BRASS t=0.4mm NI-PLATED
- USE 14AWG SOLID COPPER WIRE ONLY
- PRODUCT SHIPPED UNASSEMBLED
- RATING: 15A 125V AC
- APPROVALS: UL, cUL
- PANEL THICKNESS: 0.8~2.0mm
- TAMPER RESISTANT
- RoHS COMPLIANT

CONTROLLED

| Dim range (mm) | Tolerance +/- (mm) | Qualtek Electronics Corp. PPC DIVISION | | |
|----------------|--------------------|--|----------------|-----------------|
| | | Part Number: 739W-X2/45 | RoHS Compliant | |
| 0-1 | 0.20 | Description: TAMPER RESISTANT AC RECEPTACLE | | |
| 1-6 | 0.25 | | | |
| 6-18 | 0.40 | UNIT: mm | | |
| 18-50 | 0.50 | Drawn / Date | Checked / Date | Approved / Date |
| 50-120 | 0.70 | R. Nuti | 01-06-15 | LY / 01-06-15 |
| 120-250 | 0.90 | | | |
| 250-500 | 1.20 | | | |

X-ON Electronics

Largest Supplier of Electrical and Electronic Components

Click to view similar products for [AC Power Plugs & Receptacles](#) category:

Click to view products by [Qualtek](#) manufacturer:

Other Similar products are found below :

[739W-X2/03-BACK1](#) [85447L](#) [1301460003](#) [1301520016](#) [1301520008](#) [14W07](#) [15W07](#) [22806](#) [929662-1](#) [27W75](#) [27W81](#) [962160-1](#)
[29W08MB](#) [29W82](#) [26W](#) [26W76BLK](#) [27W47](#) [27W48](#) [28W](#) [28W81](#) [29W47MB](#) [HDR-E14FG1+](#) [30-9717-25](#) [43305](#) [85266](#) [5262DW](#) [22801](#)
[22804](#) [25W47](#) [701W-15/06](#) [701W-20/27](#) [26W75](#) [27T76](#) [29T48](#) [739W-20/XX](#) [1301860536](#) [1301520018](#) [1301520021](#) [1301520020](#)
[8210GY](#) [29W48](#) [3011-06](#) [A52S22A](#) [739W-X2/XX3](#) [26T49](#) [2707](#) [26W47-W](#) [1301450073](#) [RECWALLBOXBA](#) [1301490033](#)