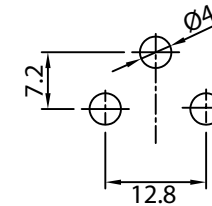
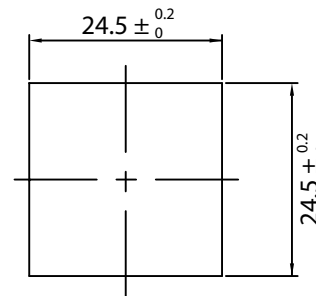
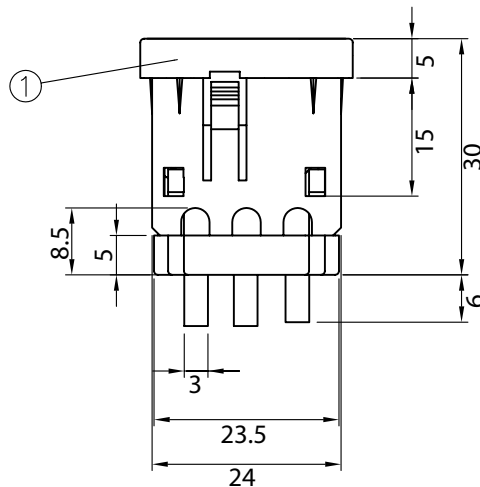
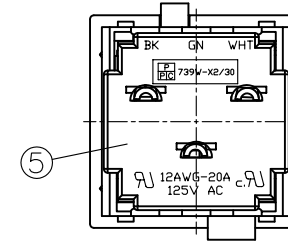
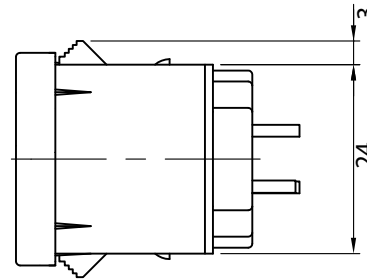
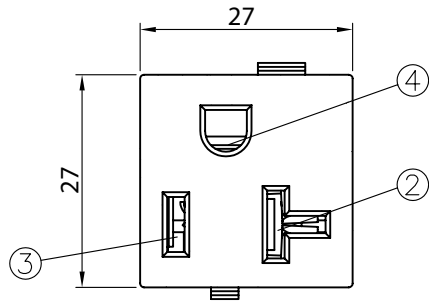


THESE DRAWINGS ARE THE PROPERTY OF QUALTEK ELECTRONICS AND NOT TO BE REPRODUCED FOR OR COMMUNICATED TO A THIRD PARTY WITHOUT THE EXPRESS WRITTEN PERMISSION OF AN OFFICER OF QUALTEK ELECTRONICS.

Revision			
Rev.	Description	Date	Approved



CONTROLLED

NOTE:

RATING: 20A 125V AC
 RECOMMENDED TO USE SOLID WIRE ONLY
 PANEL THICKNESS: 0.8~1.8mm
 APPROVALS: UL, cUL
 RoHS COMPLIANT

5	Cover back of the body, NYLON Black Color	1
4	Contact PIN Brass Strip t=0.7mm Tin Plated	1
3	Contact PIN Brass Strip t=0.7mm Tin Plated	1
2	Contact PIN Brass Strip t=0.7mm Tin Plated	1
1	Body Insulator NYLON Black Color	1

Dim range (mm)	Tolerance +/- (mm)	Qualtek Electronics Corp. PPC DIVISION		
0-1	0.15	Part Number: 739W-X2/30 RoHS Compliant		
1-6	0.20	Description: SNAP-IN 20 AMP T-SLOT RECEPTACLE		
6-18	0.30	UNIT: mm		
18-50	0.50	Drawn / Date	Checked / Date	Approved / Date
50-120	0.70	D.Povozhaev 05-14-07	05-14-07	JJH / 05-14-07
120-250	0.90			
250-500	1.20			

X-ON Electronics

Largest Supplier of Electrical and Electronic Components

Click to view similar products for [AC Power Plugs & Receptacles](#) category:

Click to view products by [Qualtek](#) manufacturer:

Other Similar products are found below :

[739W-X2/03-BACK1](#) [85447L](#) [1301460003](#) [1301520016](#) [1301520008](#) [14W07](#) [15W07](#) [22806](#) [929662-1](#) [27W75](#) [27W81](#) [962160-1](#)
[29W08MB](#) [29W82](#) [26W](#) [26W76BLK](#) [27W47](#) [27W48](#) [28W](#) [28W81](#) [29W47MB](#) [HDR-E14FG1+](#) [30-9717-25](#) [43305](#) [85266](#) [5262DW](#) [22801](#)
[22804](#) [25W47](#) [701W-15/06](#) [701W-20/27](#) [26W75](#) [27T76](#) [29T48](#) [739W-20/XX](#) [1301860536](#) [1301520018](#) [1301520021](#) [1301520020](#)
[8210GY](#) [29W48](#) [3011-06](#) [A52S22A](#) [739W-X2/XX3](#) [26T49](#) [2707](#) [26W47-W](#) [1301450073](#) [RECWALLBOXBA](#) [1301490033](#)