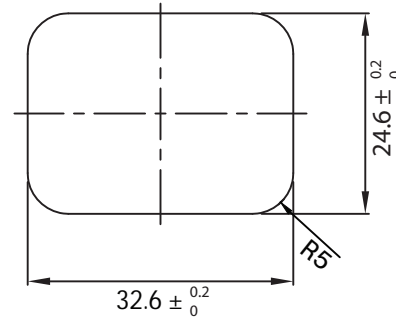
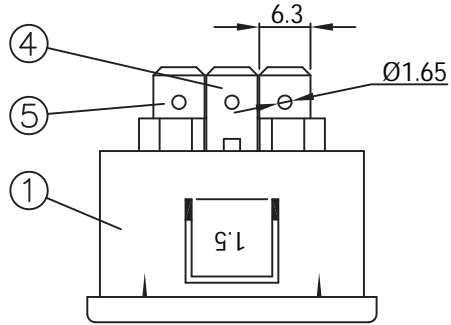
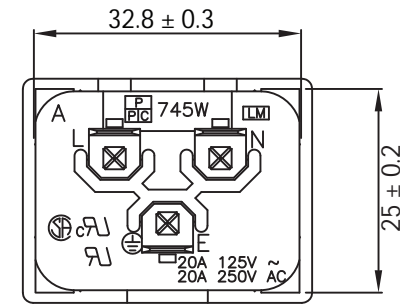
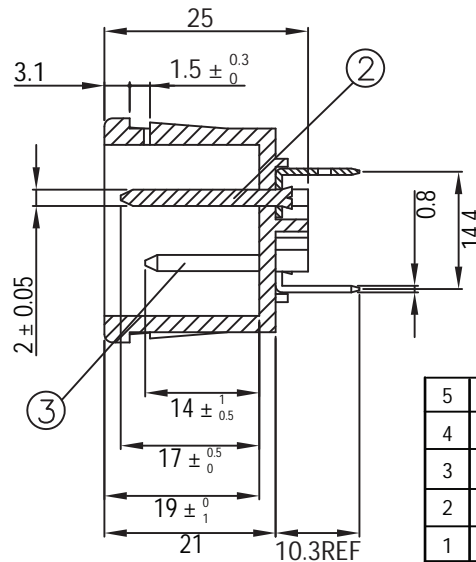
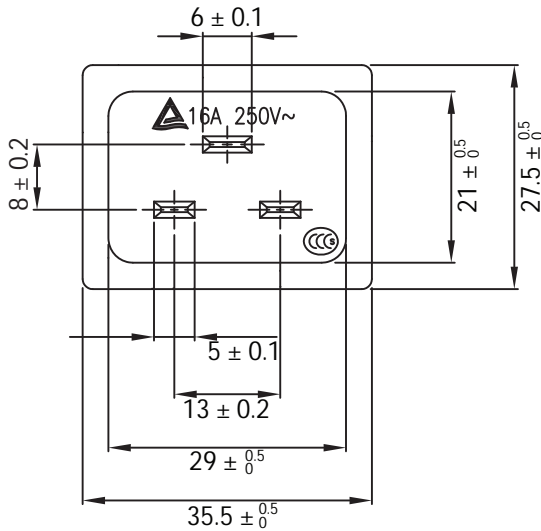


THESE DRAWINGS ARE THE PROPERTY OF QUALTEK ELECTRONICS AND NOT TO BE REPRODUCED FOR OR COMMUNICATED TO A THIRD PARTY WITHOUT THE EXPRESS WRITTEN PERMISSION OF AN OFFICER OF QUALTEK ELECTRONICS.

| REVISION |                   |          |          |
|----------|-------------------|----------|----------|
| REV.     | DESCRIPTION       | DATE     | APPROVED |
| B        | RoHS Compliancy   | 06-01-06 | D.P.     |
| C        | Notes Updated     | 07-26-07 | D.P.     |
| D        | Notes Updated     | 08-09-07 | D.P.     |
| E        | Updated Approvals | 10-15-08 | LY       |
| F        | Updated Approvals | 09-10-20 | LY       |



PANEL CUTOUT



**CONTROLLED**

|   |   |   |
|---|---|---|
| 5 | Soldering PIN Brass Strip t=0.8mm Ni-Plated | 2 |
| 4 | Soldering PIN Brass Strip t=0.8mm NI-Plated | 1 |
| 3 | Contact PIN Brass Strip t=2mm NI-Plated     | 2 |
| 2 | Contact PIN Brass Strip t=2mm Ni-Plated     | 1 |
| 1 | Body Insulator PC Black Color               | 1 |

NOTES:

RATING:

UL, cUL, CSA: 20A 125V AC/20A 250V AC

TUV, CCC: 16A 250V AC

APPROVALS: UL, cUL, CSA, TUV, CCC

PANEL THICKNESS: 1.5mm

IEC 60320 C20

RoHS COMPLIANT

| Dim range (mm) | Tolerance +/- (mm) | Qualtek Electronics Corp.<br>PPC DIVISION |                |                 |
|----------------|--------------------|---|----------------|-----------------|
|                |                    | Part Number: 745W-15/08                   | RoHS Compliant |                 |
| 0-1            | 0.15               | Description: AC RECEPTACLE                |                |                 |
| 1-6            | 0.20               |   |                |                 |
| 6-18           | 0.30               |   |                |                 |
| 18-50          | 0.50               |   |                |                 |
| 50-120         | 0.70               | Drawn / Date                              | Checked / Date | Approved / Date |
| 120-250        | 0.90               | B.Zhang<br>06-22-05                       | 06-22-05       | JJH / 06-22-05  |
| 250-500        | 1.20               |   |                |                 |

## X-ON Electronics

Largest Supplier of Electrical and Electronic Components

*Click to view similar products for [AC Power Entry Modules](#) category:*

*Click to view products by [Qualtek](#) manufacturer:*

Other Similar products are found below :

[0098.0050](#) [6167.0002](#) [6609100-2](#) [7-6609955-2](#) [FKI2-50-6/M5](#) [FN361-6-06](#) [FN389-4-22](#) [FN9226B-6-02](#) [FN9233S1-10-06](#) [FN9233S1-8-06](#)  
[FN9233S1B-8-06](#) [FN9233S1R-1-06](#) [FN9233S1R-12-06](#) [FN9233SB-1-06](#) [FN9233SB-12-06](#) [FN9233SB-8-06](#) [FN9233SR-10-06](#) [FN9244B-15-06HI](#) [FN9244EB-3-06](#) [FN9244EB-8-06](#) [FN9244ER-15-06](#) [FN9244ER-8-06](#) [FN9244ES1-8-06](#) [FN9244ESB-8-06](#) [FN9244R-12-06](#)  
[FN9244S1-12-06](#) [FN9244S1R-3-06](#) [FN9244SB-8-06](#) [FN9244SR-6-06](#) [FN9244U-3-06](#) [FN9244U-8-06](#) [8-6609940-2](#) [PE00SSSXB](#) [Fuse-H-EUR-1](#) [Fuse-H-USA-1](#) [PM00XD000](#) [A-0701-HT-H](#) [15EJMS8](#) [1-6609941-2](#) [200JM6-2](#) [CA121003-6](#) [SK-1015\(F1-5\)](#) [161-R3015-E](#) [1-6609153-2](#) [FN323-1-05](#) [FN9233B-8-06](#) [FN9233EB-1-06](#) [FN9233ES1R-10-06](#) [FN9233R-12-06](#) [FN9233S-10-06](#)