



Features:

- Motor: Shaded Pole Induction Motor
- Motor Protection: Impedance Protected
- Bearing Type: Two Ball, Sleeve, or Hydro Dynamic
- Connection: UL 1430 AWG 22, 280mm Wire Leads or Terminal
- Frame Material: Aluminum Alloy
- Impeller Material: Plastic UL94V-0
- Operating Temp:
 - Two Ball: -10°C~70°C
 - Sleeve: -10°C~60°C
 - Hydro Dynamic: -10°C~70°C
- Life Expectancy:
 - Two Ball: 50,000 Hours
 - Sleeve: 30,000 Hours
 - Hydro Dynamic: 50,000 Hours



Fan-S Division



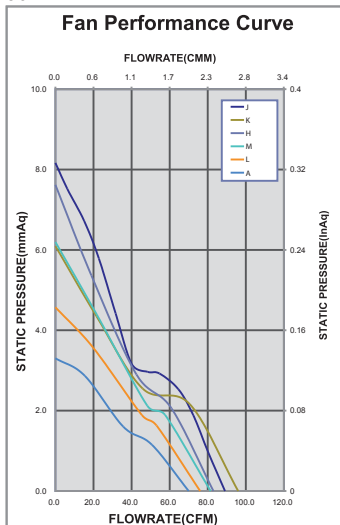
Model No.	Volt.	Freq.	Current	Power	Rated Speed	Maximum AirFlow		Maximum Static Pressure		Noise Level	Weight
	(VAC)	(Hz)	(A)	(W)	(rpm)	(CMM)	(CFM)	(InAq)	(mmAq)	(dB/A)	(g)
FAA1-12038N * K ** 31-A	115	50/60	0.28/0.24	21.20/19.20	2400/2600	2.720/3.030	96.0/107.0	0.240/0.250	6.096/6.350	46.4/48.1	550
FAA1-12038Q * K ** 31-A	230	50/60	0.14/0.12	17.50/19.80	2400/2600	2.720/3.030	96.0/107.0	0.240/0.250	6.096/6.350	46.4/48.1	550
FAA1-12038N * J ** 31-A	115	50/60	0.27/0.22	20.40/17.20	2700/3100	2.410/2.750	91.2/103.5	0.310/0.350	8.170/9.070	42.6/47.0	550
FAA1-12038Q * J ** 31-A	230	50/60	0.13/0.11	20.80/17.60	2700/3100	2.410/2.750	91.2/103.5	0.310/0.350	8.170/9.070	42.6/47.0	550
FAA1-12038N * H ** 31-A	115	50/60	0.24/0.19	17.00/14.00	2600/2900	2.410/2.750	85.0/97.0	0.310/0.350	7.900/8.870	42.2/44.5	550
FAA1-12038Q * H ** 31-A	230	50/60	0.11/0.09	17.10/14.80	2600/2900	2.410/2.750	85.0/97.0	0.310/0.350	7.900/8.870	42.2/44.5	550
FAA1-12038N * M ** 31-A	115	50/60	0.18/0.15	13.80/12.40	2600/2800	2.310/2.460	81.5/87.0	0.240/0.210	6.196/5.334	41.0/42.0	550
FAA1-12038Q * M ** 31-A	230	50/60	0.08/0.07	13.80/12.50	2600/2800	2.310/2.460	81.5/87.0	0.240/0.210	6.196/5.334	41.0/42.0	550
FAA1-12038N * L ** 31-A	115	50/60	0.12/0.11	9.00/8.70	2400/2200	2.150/2.020	76.0/71.5	0.180/0.100	4.572/2.540	40.1/37.9	550
FAA1-12038Q * L ** 31-A	230	50/60	0.06/0.05	9.80/9.40	2400/2200	2.150/2.020	76.0/71.5	0.180/0.100	4.572/2.540	40.1/37.9	550
FAA1-12038N * A ** 31-A	115	50/60	0.08/0.08	7.00/6.60	2300/1700	1.980/1.520	70.0/53.5	0.130/0.060	3.302/1.524	39.2/30.5	550
FAA1-12038Q * A ** 31-A	230	50/60	0.04/0.04	8.10/7.70	2300/1700	1.980/1.520	70.0/53.5	0.130/0.060	3.302/1.524	39.2/30.5	550

* Indicates "B" (Ball Bearing), "S" (Sleeve Bearing), or "H" (Hydro Dynamic)

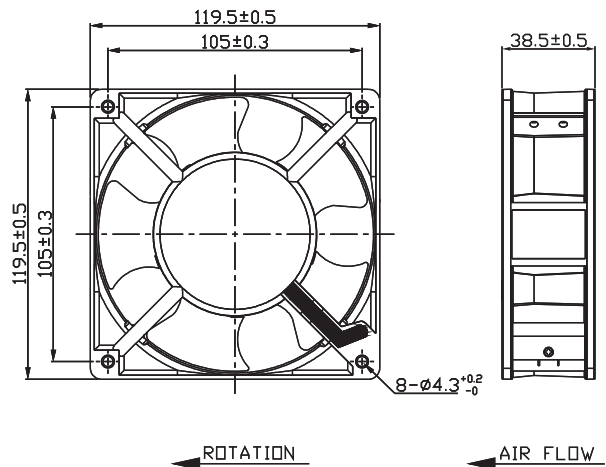
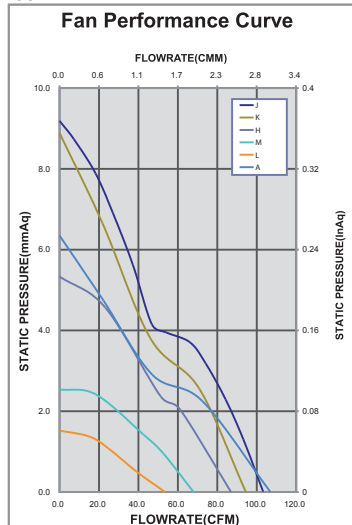
** Indicates "W" (Wire Leads) or "T" (Terminal)

Noise is measured at the distance of one (1) meter from the axis of intake.

50Hz



60Hz



X-ON Electronics

Largest Supplier of Electrical and Electronic Components

Click to view similar products for [AC Fans](#) category:

Click to view products by [Qualtek](#) manufacturer:

Other Similar products are found below :

[G9225S05B2-FSR](#) [A2D200-AA04-41](#) [A2E165-AA17-01](#) [AD0912HB-A7BGL](#) [144LS-2282-010](#) [1500-FAN-01](#) [25.001.1856.0](#) [25.350.5253.0](#)
[272DL-2LP11-000](#) [98XC-0182-000](#) [A2D210-AB10-05](#) [A2E170-AF23-01](#) [F1238S24BT-FSR](#) [23241-3](#) [25.000.1856.0](#) [25.000.2056.0](#)
[25.010.1856.0](#) [25.345.5353.0](#) [281DY-1LP14-000B](#) [298DM-2LP11-000](#) [298DS-2LP11-000A](#) [344DY-1LP11-000](#) [39.703.0253.0](#)
[USTF1203224VHW](#) [3915100996-SA3](#) [3G2C7MC224](#) [W2D200-HH04-07](#) [W2S130-AA03-43](#) [W2S130-AA25-97](#) [432703034611](#) [8856N](#)
[A4D315-AC20-02](#) [W4S250-CA20-56](#) [W2S130-AB03-09](#) [5900](#) [C45-A7](#) [TAC12025230MT](#) [8550A](#) [8560N](#) [8880A](#) [AD0405HB-G73\(9T\)](#)
[W2D200-CA04-52](#) [S4E450-AP01-02](#) [W2S130-AB25-10](#) [A4E330-AB18-09](#) [W2E250-DB05-52](#) [W4E315-CS22-70](#) [S4S250-BA02-20](#)
[S2D300-BP02-37](#) [W2S130-AB25-24](#)