



Features:

- Motor: Brushless DC
- Motor Protection: Impedance Protected
- Bearing Type: Two Ball or Hydro Dynamic
- Connection: UL 1007 AWG 26, 300mm Wire Leads
- Frame Material: Plastic UL94V-0
- Impeller Material: Plastic UL94V-0
- Operating Temp:
 - Two Ball: -10°C~70°C
 - Hydro Dynamic: -10°C~70°C
- Life Expectancy:
 - Two Ball: 70,000 Hours
 - Hydro Dynamic: 50,000 Hours



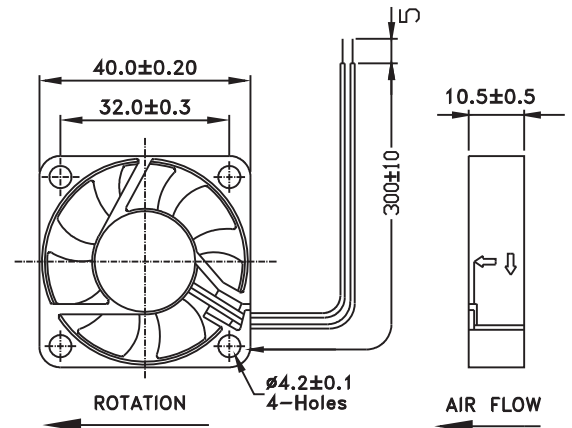
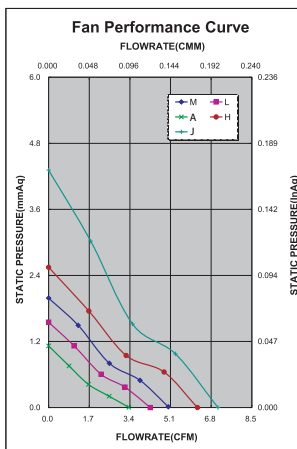
Fan-S Division



Model No.	Volt.	Current	Power	Rated Speed	Maximum AirFlow		Maximum Static Pressure		Noise Level	Weight
	(VDC)	(A)	(W)	(rpm)	(CMM)	(CFM)	(InAq)	(mmAq)	(dB/A)	(g)
FAD1-04010B * LW11	5	0.070	0.35	4200	0.119	4.200	0.060	1.524	21.0	17.0
FAD1-04010B * MW11	5	0.110	0.55	4800	0.142	5.000	0.078	1.981	22.0	17.0
FAD1-04010B * HW11	5	0.160	0.80	6000	0.175	6.200	0.100	2.540	26.0	17.0
FAD1-04010C * AW11	12	0.040	0.48	3300	0.093	3.300	0.044	1.117	14.0	17.0
FAD1-04010C * LW11	12	0.060	0.72	4200	0.119	4.200	0.060	1.524	21.0	17.0
FAD1-04010C * MW11	12	0.060	0.72	4800	0.142	5.000	0.078	1.981	22.0	17.0
FAD1-04010C * HW11	12	0.090	1.08	6000	0.175	6.200	0.100	2.540	26.0	17.0
FAD1-04010C * JW11	12	0.090	1.08	6800	0.198	7.000	0.170	4.318	29.0	17.0
FAD1-04010D * LW11	24	0.030	0.72	4200	0.119	4.200	0.060	1.524	21.0	17.0
FAD1-04010D * MW11	24	0.040	0.96	4800	0.142	5.000	0.078	1.981	22.0	17.0
FAD1-04010D * HW11	24	0.060	1.44	6000	0.175	6.200	0.100	2.540	26.0	17.0

* Indicates "B" (Ball Bearing), or "H" (Hydro Dynamic)

Noise is measured at the distance of one (1) meter from the axis of intake.



X-ON Electronics

Largest Supplier of Electrical and Electronic Components

Click to view similar products for [DC Fans](#) category:

Click to view products by [Qualtek](#) manufacturer:

Other Similar products are found below :

[F1238H24B-FHR](#) [F1238X24B1-FSR-TTL](#) [AUB0612L](#) [F6025X12B1-RHR](#) [AFB0948HH-S687](#) [G2E085-AA05-10](#) [G4020H05B2-RSR-EM](#)
[4318/12T](#) [AUB0912H-F00](#) [3412N/2ME](#) [W2G110-AM39-01](#) [USTF501005HW](#) [8412GLV](#) [8412NGL-12](#) [6448-384](#) [4114N/17-251](#) [4318/2R](#)
[4412F/2D](#) [424JMU](#) [PMD1206PTVX-A.U.GN](#) [1608KL-04W-B29-L00](#) [4414/2HH](#) [512F/2P-549](#) [4112 N/12GL-175](#) [9GA0924M4021](#)
[9GA0912F402](#) [9GA0912H4D011](#) [9GA0824L20011](#) [AFB0824SHBAV1](#) [DV5214/2NP-230](#) [9GA0912H4021](#) [9GA0812L20011](#)
[9GA0812B2001](#) [8500NU](#) [9LG1224F1002](#) [2004KL-04W-B30-B00](#) [1606KL-01W-B59-L00](#) [3241.124](#) [ASFP44791](#) [ASFP80391](#) [9A0612G402](#)
[AD5012HB-C71](#) [AD5012MB-C71](#) [31100-000440-RS](#) [PF92252B1-1000U-A99](#) [CFM-8038BF-1130-631-20](#) [CFM-8038BF-2110-595](#) [CFM-](#)
[4028BG-1250-617](#) [CFM-8038BF-2130-631-20](#) [CFM-8038BF-1110-595](#)