



**Features:**

- Motor: Brushless DC
- Motor Protection: Impedance Protected
- Bearing Type: Two Ball, or Hydro Dynamic
- Connection: UL 1007 AWG 26, 295mm Wire Leads
- Frame Material: Plastic UL94V-0
- Impeller Material: Plastic UL94V-0
- Operating Temp:
  - Two Ball: -10°C~70°C
  - Hydro Dynamic: -10°C~70°C
- Life Expectancy:
  - Two Ball: 70,000 Hours
  - Hydro Dynamic: 50,000 Hours



Fan-S Division



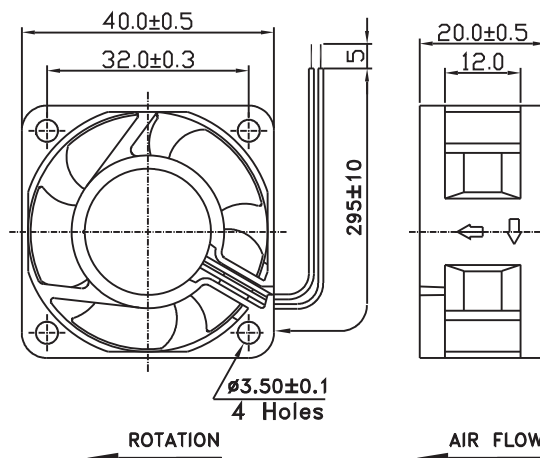
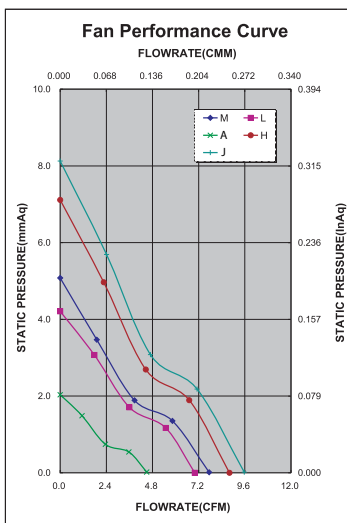
Model No.	Volt.	Current	Power	Rated Speed	Maximum AirFlow		Maximum Static Pressure		Noise Level	Weight
	(VDC)	(A)	(W)	(rpm)	(CMM)	(CFM)	(InAq)	(mmAq)	(dB/A)	(g)
FAD1-04020B * AW11	5	0.09	0.45	4200	0.127	4.489	0.080	2.032	17.5	28.0
FAD1-04020B * LW11	5	0.14	0.70	6200	0.198	6.999	0.165	4.191	30.0	28.0
FAD1-04020B * MW11	5	0.16	0.80	6900	0.219	7.741	0.200	5.080	33.0	28.0
FAD1-04020B * HW11	5	0.25	1.25	7800	0.249	8.802	0.280	7.112	36.0	28.0
FAD1-04020C * AW11	12	0.04	0.48	4200	0.127	4.489	0.080	2.032	17.5	28.0
FAD1-04020C * LW11	12	0.07	0.84	6200	0.198	6.999	0.165	4.191	30.0	28.0
FAD1-04020C * MW11	12	0.08	0.96	6900	0.219	7.741	0.200	5.080	33.0	28.0
FAD1-04020C * HW11	12	0.10	1.20	7800	0.249	8.802	0.280	7.112	36.0	28.0
FAD1-04020C * JW11	12	0.14	1.68	8500	0.271	9.579	0.320	8.128	37.5	28.0
FAD1-04020D * AW11	24	0.05	1.20	4200	0.127	4.489	0.080	2.032	17.5	28.0
FAD1-04020D * LW11	24	0.05	1.20	6200	0.198	6.999	0.165	4.191	30.0	28.0
FAD1-04020D * MW11	24	0.06	1.44	6900	0.219	7.741	0.200	5.080	33.0	28.0
FAD1-04020D * HW11	24	0.07	1.68	7800	0.249	8.802	0.280	7.112	36.0	28.0

\* Indicates "B" (Ball Bearing), or "H" (Hydro Dynamic)

Noise is measured at the distance of one (1) meter from the axis of intake.

Note 1: FAD1-04020BBAW11, FAD1-04020DBAW11, FAD1-04020BHW11, FAD1-04020DHW11 has no approvals.

Note 2: FAD1-04020CBAW11, FAD1-04020CHAW11 has CE and TUV approvals only



## X-ON Electronics

Largest Supplier of Electrical and Electronic Components

*Click to view similar products for [DC Fans](#) category:*

*Click to view products by [Qualtek](#) manufacturer:*

Other Similar products are found below :

[614R](#) [AUB0612L](#) [AFB0948HH-S687](#) [G2E085-AA05-10](#) [4318/12T](#) [AUB0912H-F00](#) [3412N/2ME](#) [W2G110-AM39-01](#) [8412GLV](#) [8412NGL-12](#) [6448-384](#) [4114N/17-251](#) [4318/2R](#) [4412F/2D](#) [424JMU](#) [4414/2HH](#) [4112 N/12GL-175](#) [9GA0912F402](#) [9GA0812B20011](#)  
[AFB0824SHBAV1](#) [DV5214/2NP-230](#) [9GA0912H4021](#) [THC1548MGDJJ](#) [GFB1224SHG](#) [8500NU](#) [3241.124](#) [DC1203812W2B-2T0](#)  
[MF40060V1-1000U-G99](#) [DC0401012V2B-3T0](#) [7F.20.9.024.1020](#) [7F.20.9.024.2055](#) [ASFP12392](#) [ASFP14391](#) [ASFP64371](#) [ASFP64391](#)  
[ASFP80372](#) [ASFP84391](#) [ASFP92391](#) [ASFP94391](#) [MF92251V3-1000U-G99](#) [9A0612G402](#) [AD5012HB-C71](#) [AD5012MB-C71](#) [ASFP84372](#)  
[026758A](#) [514F](#) [412/2H](#) [4292](#) [MF60152V1-1000U-G99](#) [3610KL-04W-B50-D00](#)