



Features:

- Motor: Brushless DC
- Motor Protection: Impedance Protected
- Bearing Type: Two Ball or Hydro Dynamic
- Connection: UL 1007 AWG 26, 320mm Wire Leads
- Frame Material: Plastic UL94V-0
- Impeller Material: Plastic UL94V-0
- Operating Temp:
 - Two Ball: -10°C~70°C
 - Hydro Dynamic: -10°C~70°C
- Life Expectancy:
 - Two Ball: 70,000 Hours
 - Hydro Dynamic: 50,000 Hours



Fan-S Division



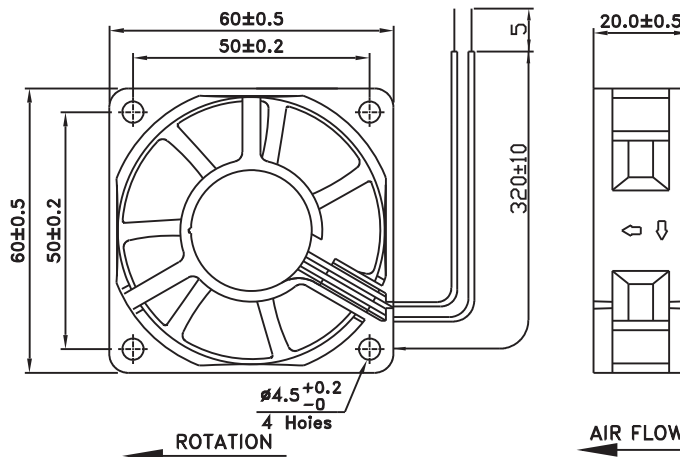
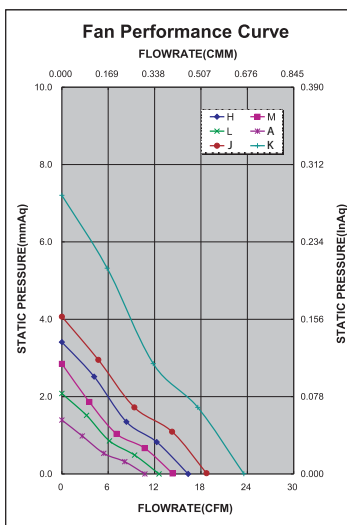
Model No.	Volt.	Current	Power	Rated Speed	Maximum AirFlow		Maximum Static Pressure		Noise Level	Weight
	(VDC)	(A)	(W)	(rpm)	(CMM)	(CFM)	(InAq)	(mmAq)	(dB/A)	(g)
FAD1-06020B * AW11	5	0.07	0.35	3000	0.303	10.741	0.054	1.371	18.4	49.0
FAD1-06020B * LW11	5	0.12	0.60	3500	0.353	12.502	0.082	2.082	23.5	49.0
FAD1-06020B * MW11	5	0.16	0.80	3900	0.404	14.279	0.112	2.844	28.0	49.0
FAD1-06020B * HW11	5	0.18	0.90	4600	0.461	16.459	0.140	3.403	31.0	49.0
FAD1-06020C * AW11	12	0.05	0.60	3000	0.303	10.741	0.054	1.371	18.4	49.0
FAD1-06020C * LW11	12	0.06	0.72	3500	0.353	12.502	0.082	2.082	23.5	49.0
FAD1-06020C * MW11	12	0.08	0.96	3900	0.404	14.279	0.112	2.844	28.0	49.0
FAD1-06020C * HW11	12	0.10	1.44	4600	0.461	16.459	0.140	3.403	31.0	49.0
FAD1-06020C * JW11	12	0.13	1.56	5100	0.529	18.928	0.183	4.064	35.5	49.0
FAD1-06020C * KW11	12	0.20	2.40	6100	0.666	23.554	0.283	7.188	39.0	49.0
FAD1-06020D * MW11	24	0.04	0.96	3900	0.404	14.279	0.112	2.844	28.0	49.0
FAD1-06020D * HW11	24	0.05	1.44	4600	0.461	16.459	0.140	3.403	31.0	49.0

* Indicates "B" (Ball Bearing), or "H" (Hydro Dynamic)

Noise is measured at the distance of one (1) meter from the axis of intake.

Note 1: FAD1-06020BBAW11, FAD1-06020BHAW11, FAD1-06020CBKW11, FAD1-06020CHKW11 has no approvals.

Note 2: FAD1-06020CHLW11, FAD1-06020DBMW11 has UL and cUL approvals only



X-ON Electronics

Largest Supplier of Electrical and Electronic Components

Click to view similar products for [DC Fans](#) category:

Click to view products by [Qualtek](#) manufacturer:

Other Similar products are found below :

[F1238H24B-FHR](#) [F1238X24B1-FSR-TTL](#) [PMD1204PBB1-A \(2\).GN](#) [AUB0612L](#) [F6025X12B1-RHR](#) [G4020H05B2-RSR-EM](#) [4318/12T](#)
[AUB0912H-F00](#) [3412N/2ME](#) [W2G110-AM39-01](#) [USTF501005HW](#) [8412GLV](#) [8412NGL-12](#) [6448-384](#) [3258JH](#) [4114N/17-251](#) [4412F/2D](#)
[OD127AP-28HTB](#) [424JMU](#) [3110KL-05W-B50-G00](#) [1608KL-04W-B29-L00](#) [EF40101BX-1000U-G99](#) [4414/2HH](#) [512F/2P-549](#) [4112](#)
[N/12GL-175](#) [9GA0924L4021](#) [9GA0924M4021](#) [9GA0924M4011](#) [9GA0912M4D011](#) [9GA0924W4D01](#) [9GA0912F4021](#) [9GA0912H4D011](#)
[9GA0824L20021](#) [9GA0824L20011](#) [9GA0812A2002](#) [9GA0812B2D001](#) [9GA0812L20021](#) [9WP1248M1021](#) [9GA0812A2D001](#)
[9GA0824L2D001](#) [9GA0924W4D011](#) [9GA0912W402](#) [9GA0912M402](#) [9GA0824B2D001](#) [9GA0824A20021](#) [9GA0912W4021](#)
[9GA0924W402](#) [9GA0812L2D0011](#) [9GA0812A20021](#) [9GA0824L2001](#)