



**Features:**

- Motor: Brushless DC
- Motor Protection: IC
- Bearing Type: Two Ball or Hydro Dynamic
- Connection: UL 1061 AWG 26, 320mm Wire Leads
- Frame Material: Plastic UL94V-0
- Impeller Material: Plastic UL94V-0
- Operating Temp:
  - Two Ball: -10°C~70°C
  - Hydro Dynamic: -10°C~70°C
- Life Expectancy:
  - Two Ball: 70,000 Hours (40°C)
  - Hydro Dynamic: 40,000 Hours (40°C)



**Fan-S Division**



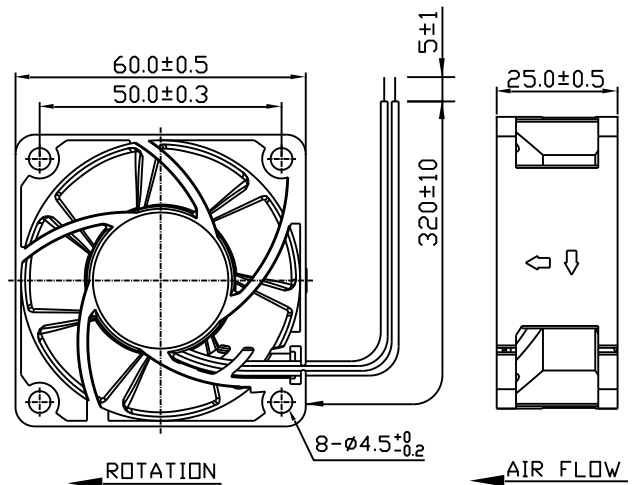
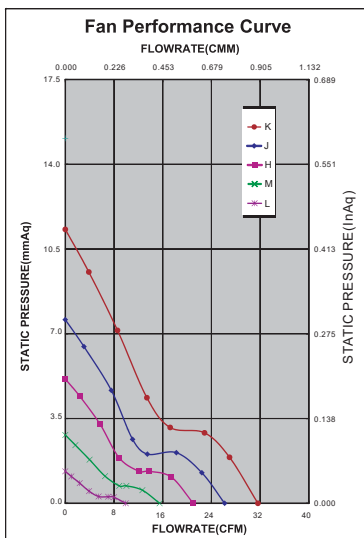
Model No.	Volt.	Current	Power	Rated Speed	Maximum AirFlow		Maximum Static Pressure		Noise Level	Weight
	(VDC)	(A)	(W)	(rpm)	(CMM)	(CFM)	(InAq)	(mmAq)	(dB/A)	(g)
FAD1-06025B * LW1 ** -A	5	0.20	1.00	2500	0.361	12.782	0.080	2.032	18.9	62.0
FAD1-06025B * MW1 ** -A	5	0.35	1.75	3500	0.506	17.900	0.152	3.860	28.1	62.0
FAD1-06025B * HW1 ** -A	5	0.35	1.75	4500	0.661	23.366	0.252	6.400	33.1	62.0
FAD1-06025C * LW1 ** -A	12	0.10	1.20	2500	0.361	12.782	0.080	2.032	18.9	62.0
FAD1-06025C * MW1 ** -A	12	0.13	1.56	3500	0.506	17.900	0.152	3.860	28.1	62.0
FAD1-06025C * HW1 ** -A	12	0.23	2.76	4500	0.661	23.366	0.252	6.400	33.1	62.0
FAD1-06025C * JW1 ** -A	12	0.23	2.76	5000	0.740	26.178	0.298	7.569	38.4	62.0
FAD1-06025CBKW1 ** -A	12	0.32	3.84	6000	0.895	31.643	0.445	11.303	42.7	62.0
FAD1-06025D * LW1 ** -A	24	0.06	0.72	2500	0.361	12.782	0.080	2.032	18.9	62.0
FAD1-06025D * MW1 ** -A	24	0.09	2.16	3500	0.506	17.900	0.152	3.860	28.1	62.0
FAD1-06025D * HW1 ** -A	24	0.12	2.88	4500	0.661	23.366	0.252	6.400	33.1	62.0
FAD1-06025D * JW1 ** -A	24	0.12	2.88	5000	0.740	26.178	0.298	7.569	38.4	62.0

\* Indicates "B" (Ball Bearing), or "H" (Hydro Dynamic)

\*\* Indicates "2" (No Special Function), "3" (Alarm), "4" (Speed Sensor), "9" (PWM), or "B" (PWM + Speed Sensor)

Part Number Example: FAD1-06025CBMW12-A (Ball Bearing fan with no Special Function)

Noise is measured at the distance of one (1) meter from the axis of intake.



## X-ON Electronics

Largest Supplier of Electrical and Electronic Components

*Click to view similar products for [DC Fans](#) category:*

*Click to view products by [Qualtek](#) manufacturer:*

Other Similar products are found below :

[614R](#) [AUB0612L](#) [AFB0948HH-S687](#) [G2E085-AA05-10](#) [4318/12T](#) [AUB0912H-F00](#) [3412N/2ME](#) [W2G110-AM39-01](#) [8412GLV](#) [8412NGL-12](#) [6448-384](#) [4114N/17-251](#) [4318/2R](#) [4412F/2D](#) [424JMU](#) [4414/2HH](#) [4112 N/12GL-175](#) [9GA0912F402](#) [9GA0812B20011](#)  
[AFB0824SHBAV1](#) [DV5214/2NP-230](#) [9GA0912H4021](#) [THC1548MGDJJ](#) [GFB1224SHG](#) [8500NU](#) [3241.124](#) [DC1203812W2B-2T0](#)  
[MF40060V1-1000U-G99](#) [DC0401012V2B-3T0](#) [7F.20.9.024.1020](#) [7F.20.9.024.2055](#) [ASFP12392](#) [ASFP14391](#) [ASFP64371](#) [ASFP64391](#)  
[ASFP80372](#) [ASFP84391](#) [ASFP92391](#) [ASFP94391](#) [MF92251V3-1000U-G99](#) [9A0612G402](#) [AD5012HB-C71](#) [AD5012MB-C71](#) [ASFP84372](#)  
[026758A](#) [514F](#) [412/2H](#) [4292](#) [MF60152V1-1000U-G99](#) [3610KL-04W-B50-D00](#)