



**Features:**

- Motor: Brushless DC
- Motor Protection: IC
- Bearing Type: Two Ball, Sleeve, or Hydro Dynamic
- Connection: UL 1007 AWG 24, 320mm Wire Leads
- Frame Material: Plastic UL94V-0
- Impeller Material: Plastic UL94V-0
- Operating Temp:
  - Two Ball: -10°C~70°C
  - Sleeve: -10°C~60°C
  - Hydro Dynamic: -10°C~70°C
- Life Expectancy:
  - Two Ball: 70,000 Hours
  - Sleeve: 30,000 Hours
  - Hydro Dynamic: 50,000 Hours



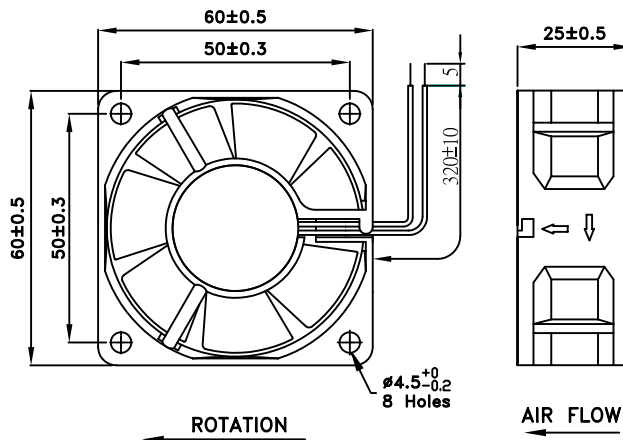
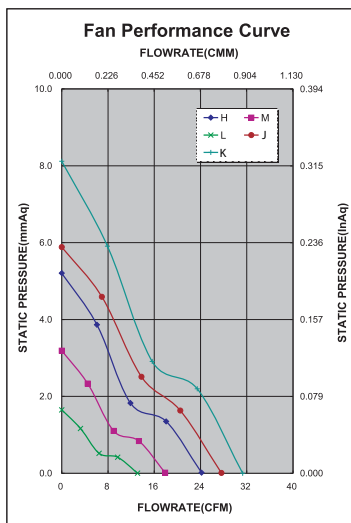
Fan-S Division



Model No.	Volt.	Current	Power	Rated Speed	Maximum AirFlow		Maximum Static Pressure		Noise Level	Weight
	(VDC)	(A)	(W)	(rpm)	(CMM)	(CFM)	(InAq)	(mmAq)	(dB/A)	(g)
FAD1-06025B * LW12	5	0.08	0.40	2500	0.373	13.200	0.063	1.600	18.1	53.0
FAD1-06025B * MW12	5	0.17	0.85	3500	0.506	17.880	0.125	3.175	27.9	53.0
FAD1-06025B * HW12	5	0.35	1.75	4500	0.688	24.330	0.207	5.257	36.3	53.0
FAD1-06025C * LW12	12	0.04	0.48	2500	0.373	13.200	0.063	1.600	18.1	53.0
FAD1-06025C * MW12	12	0.08	0.96	3500	0.506	17.880	0.125	3.175	27.9	53.0
FAD1-06025C * HW12	12	0.13	1.56	4500	0.688	24.330	0.207	5.257	36.3	53.0
FAD1-06025C * JW12	12	0.21	2.52	5000	0.789	27.880	0.242	6.146	37.6	53.0
FAD1-06025CBKW12	12	0.30	3.60	6100	0.888	31.400	0.320	8.128	42.9	53.0
FAD1-06025D * LW12	24	0.07	1.68	2500	0.373	13.200	0.063	1.600	18.1	53.0
FAD1-06025D * MW12	24	0.06	1.44	3500	0.506	17.880	0.125	3.175	27.9	53.0
FAD1-06025D * HW12	24	0.08	2.88	4500	0.688	24.330	0.207	5.257	36.3	53.0
FAD1-06025D * JW12	24	0.10	2.40	5000	0.789	27.880	0.242	6.146	37.6	53.0

\* Indicates "B" (Ball Bearing), "S" (Sleeve), or "H" (Hydro Dynamic)

Noise is measured at the distance of one (1) meter from the axis of intake.



## X-ON Electronics

Largest Supplier of Electrical and Electronic Components

*Click to view similar products for [DC Fans](#) category:*

*Click to view products by [Qualtek](#) manufacturer:*

Other Similar products are found below :

[614R](#) [AUB0612L](#) [AFB0948HH-S687](#) [G2E085-AA05-10](#) [4318/12T](#) [AUB0912H-F00](#) [3412N/2ME](#) [W2G110-AM39-01](#) [8412GLV](#) [8412NGL-12](#) [6448-384](#) [4114N/17-251](#) [4318/2R](#) [4412F/2D](#) [424JMU](#) [4414/2HH](#) [4112 N/12GL-175](#) [9GA0912F402](#) [9GA0812B20011](#)  
[AFB0824SHBAV1](#) [DV5214/2NP-230](#) [9GA0912H4021](#) [THC1548MGDJJ](#) [GFB1224SHG](#) [8500NU](#) [3241.124](#) [DC1203812W2B-2T0](#)  
[MF40060V1-1000U-G99](#) [DC0401012V2B-3T0](#) [7F.20.9.024.1020](#) [7F.20.9.024.2055](#) [ASFP12392](#) [ASFP14391](#) [ASFP64371](#) [ASFP64391](#)  
[ASFP80372](#) [ASFP84391](#) [ASFP92391](#) [ASFP94391](#) [MF92251V3-1000U-G99](#) [9A0612G402](#) [AD5012HB-C71](#) [AD5012MB-C71](#) [ASFP84372](#)  
[026758A](#) [514F](#) [412/2H](#) [4292](#) [MF60152V1-1000U-G99](#) [3610KL-04W-B50-D00](#)