



Features:

- Motor: Brushless DC
- Motor Protection: IC
- Bearing Type: Two Ball, Sleeve, or Hydro Dynamic
- Connection: UL 1007 AWG 24, 280mm Wire Leads
- Frame Material: Plastic UL94V-0
- Impeller Material: Plastic UL94V-0
- Operating Temp:
 - Two Ball: -10°C~70°C
 - Sleeve: -10°C~60°C
 - Hydro Dynamic: -10°C~70°C
- Life Expectancy:
 - Two Ball: 70,000 Hours
 - Sleeve: 30,000 Hours
 - Hydro Dynamic: 50,000 Hours



Fan-S Division

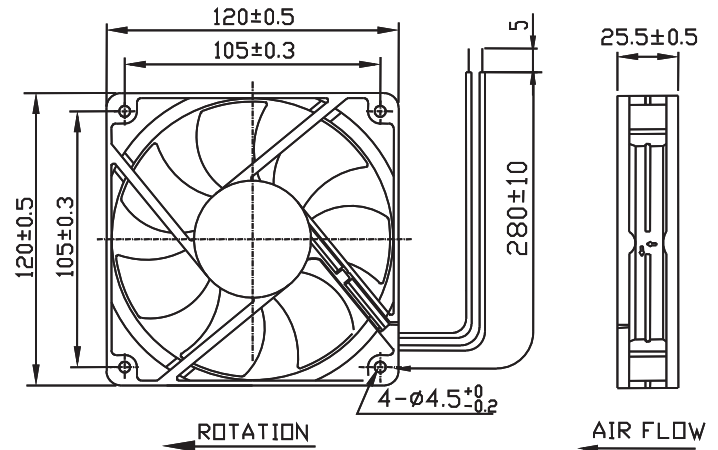
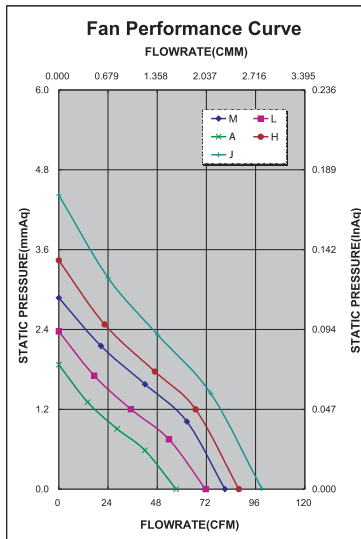


Model No.	Volt.	Current	Power	Rated Speed	Maximum AirFlow		Maximum Static Pressure		Noise Level	Weight
	(VDC)	(A)	(W)	(rpm)	(CMM)	(CFM)	(InAq)	(mmAq)	(dB/A)	(g)
FAD1-12025C * AW12	12	0.11	1.32	1500	1.618	57.205	0.074	1.879	27.2	156.0
FAD1-12025C * LW12	12	0.15	1.80	1800	2.032	71.806	0.093	2.362	34.4	156.0
FAD1-12025C * MW12	12	0.16	1.92	2050	2.293	81.054	0.113	2.870	38.0	156.0
FAD1-12025C * HW12	12	0.29	3.48	2200	2.486	87.870	0.134	3.403	39.1	156.0
FAD1-12025C * JW12	12	0.39	4.68	2500	2.800	98.965	0.174	4.419	43.3	156.0
FAD1-12025D * AW12	24	0.07	1.68	1500	1.618	57.205	0.074	1.879	27.2	156.0
FAD1-12025D * LW12	24	0.10	2.40	1800	2.032	71.806	0.093	2.362	34.4	156.0
FAD1-12025D * MW12	24	0.13	3.12	2050	2.293	81.054	0.113	2.870	38.0	156.0
FAD1-12025D * HW12	24	0.13	3.12	2200	2.486	87.870	0.134	3.403	39.1	156.0
FAD1-12025D * JW12	24	0.19	4.56	2500	2.800	98.965	0.174	4.419	43.3	156.0
FAD1-12025E * HW12	48	0.10	4.80	2200	2.486	87.870	0.134	3.403	39.1	156.0
FAD1-12025E * JW12	48	0.12	5.76	2500	2.800	98.965	0.174	4.419	43.3	156.0

* Indicates "B" (Ball Bearing), "S" (Sleeve), or "H" (Hydro Dynamic)

Noise is measured at the distance of one (1) meter from the axis of intake.

Note 1: FAD1-12025DBAW12, FAD1-12025DSAW12, FAD1-12025DHAW12 has no approvals



X-ON Electronics

Largest Supplier of Electrical and Electronic Components

Click to view similar products for [DC Fans](#) category:

Click to view products by [Qualtek](#) manufacturer:

Other Similar products are found below :

[614R](#) [AUB0612L](#) [AFB0948HH-S687](#) [G2E085-AA05-10](#) [4318/12T](#) [AUB0912H-F00](#) [3412N/2ME](#) [W2G110-AM39-01](#) [8412GLV](#) [8412NGL-12](#) [6448-384](#) [4114N/17-251](#) [4318/2R](#) [4412F/2D](#) [424JMU](#) [4414/2HH](#) [4112 N/12GL-175](#) [9GA0912F402](#) [9GA0812B20011](#) [AFB0824SHBAV1](#) [DV5214/2NP-230](#) [9GA0912H4021](#) [THC1548MGDJJ](#) [9GA0812B2001](#) [GFB1224SHG](#) [8500NU](#) [3241.124](#) [DC1203812W2B-2T0](#) [MF40060V1-1000U-G99](#) [DC0401012V2B-3T0](#) [7F.20.9.024.1020](#) [ASFP12392](#) [ASFP14391](#) [ASFP64371](#) [ASFP64391](#) [ASFP80372](#) [ASFP84391](#) [ASFP92391](#) [MF92251V3-1000U-G99](#) [9A0612G402](#) [AD5012HB-C71](#) [AD5012MB-C71](#) [ASFP84372](#) [ASFP64372](#) [31100-000440-RS](#) [026758A](#) [MEC0251V1-000U-G99](#) [514F](#) [MEC0381V1-000U-G99](#) [412/2H](#)