



**Features:**

- Motor: External Rotor Capacitor-Run Induction Motor
- Motor Protection: Thermal Protected
- Bearing Type: Two Ball
- Connection: UL 1015 AWG 22, 300mm Wire Leads or Terminal
- Frame Material: Aluminum Alloy
- Impeller Material: Plastic UL94V-0, or Steel
- **IP56M Certified**
- Operating Temp:  
Two Ball: -20°C~70°C
- Life Expectancy:  
Two Ball: 50,000 Hours  
Two Ball: 100,000 Hours (-L)



**IP56M**

**Fan-S Division**



Model No.	Volt.	Freq.	Current	Power	Rated Speed	Maximum AirFlow		Maximum Static Pressure		Noise Level	Weight
	(VAC)	(Hz)	(A)	(W)	(rpm)	(CMM)	(CFM)	(InAq)	(mmAq)	(dB/A)	(g)
FDA2-17251NBK * 3D #	115	50/60	0.22/0.24	24.0/27.0	2800/3300	6.51/7.78	230/275	0.649/0.768	16.5/19.5	54.0/60.0	890
FDA2-17251QBK * 3D #	230	50/60	0.11/0.12	24.0/27.0	2800/3300	6.51/7.78	230/275	0.649/0.768	16.5/19.5	54.0/60.0	890
FDA2-17251NBH * ** D#	115	50/60	0.25/0.21	27.0/25.0	2700/3100	5.95/7.08	210/250	0.551/0.610	14.0/15.5	53.0/59.0	940
FDA2-17251QBH * ** D#	230	50/60	0.11/0.12	26.0/27.0	2700/3100	5.95/7.08	210/250	0.551/0.610	14.0/15.5	53.0/59.0	940

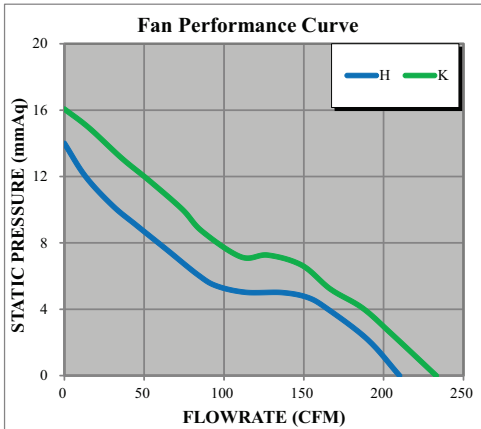
\* Indicates "W" (Wire Leads) or "T" (Terminal)

Noise is measured at the distance of one (1) meter from the axis of intake.

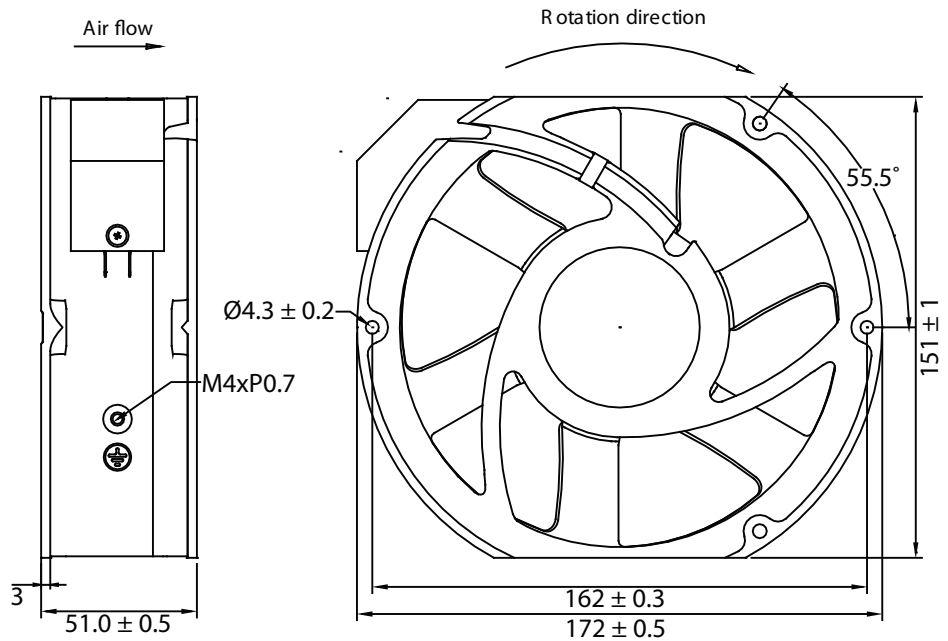
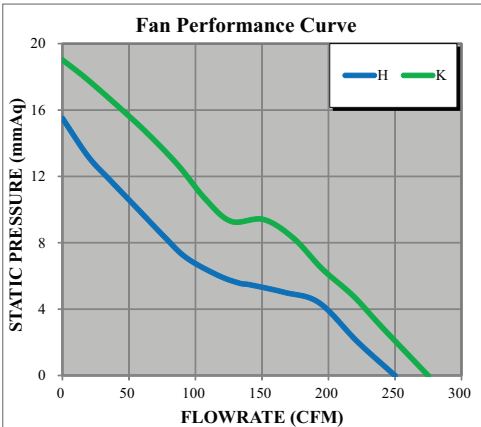
\*\* Indicates "3" (Metal Frame, Plastic Impeller) or "4" (Metal Frame and Impeller)

# Indicates "-L" (100,000 Hours Life Expectancy) or Leave Blank (50,000 Hours Life Expectancy)

50Hz



60Hz



## X-ON Electronics

Largest Supplier of Electrical and Electronic Components

*Click to view similar products for [AC Fans](#) category:*

*Click to view products by [Qualtek](#) manufacturer:*

Other Similar products are found below :

[G9225S05B2-FSR](#) [A2D200-AA04-41](#) [A2E165-AA17-01](#) [AD0912HB-A7BGL](#) [1500-FAN-01](#) [25.001.1856.0](#) [25.320.1353.1](#) [25.320.4753.1](#)  
[25.320.5453.1](#) [25.330.1353.1](#) [25.330.4853.1](#) [25.330.5153.1](#) [25.330.5353.1](#) [25.340.1053.1](#) [25.350.5253.0](#) [25.600.4053.0](#) [272DL-2LP11-000](#)  
[A2D210-AB10-05](#) [A2D240-AA02-02](#) [A2D250-AE22-06](#) [A2E170-AF23-01](#) [F1238S24BT-FSR](#) [23241-3](#) [25.000.1856.0](#) [25.000.2056.0](#)  
[25.010.1856.0](#) [25.332.2453.1](#) [25.340.0453.1](#) [25.345.5353.0](#) [281DY-1LP14-000B](#) [298DM-2LP11-000](#) [298DS-2LP11-000A](#) [344DY-1LP11-](#)  
[000](#) [39.703.0253.0](#) [USTF1203224VHW](#) [3G2C7MC224](#) [W2S130-AA03-43](#) [W2S130-AA25-97](#) [8856N](#) [A4D315-AC20-02](#) [A2E170-AF23-11](#)  
[W2S130-AB03-09](#) [8550A](#) [8560N](#) [8880A](#) [S4D300-AR34-17](#) [S2E250-AE31-08](#) [AD0405HB-G73\(9T\)](#) [CENT-2000-FFTM](#) [CENT-2000-](#)  
[RFTM](#)