

172x150x51mm

DC AXIAL FAN

FDD1-17251 Series



IP56M



Fan-S Division



**Features:**

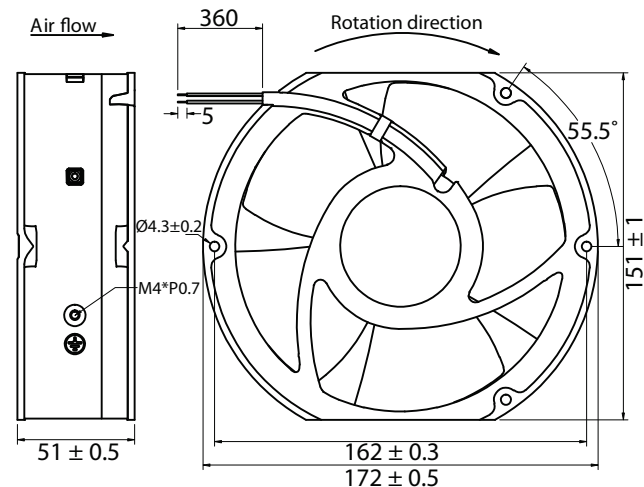
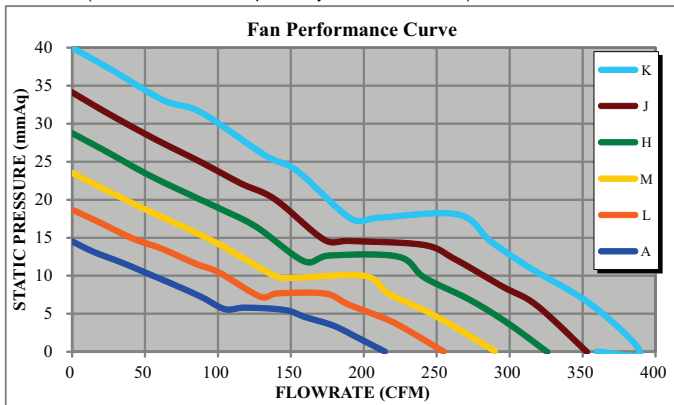
- Motor: Brushless DC
- Motor Protection: IC
- Bearing Type: Two Ball
- Connection: UL 1007 AWG 22, 360mm Wire Leads
- Frame Material: Aluminum Alloy
- Impeller Material: Plastic UL94V-0
- **IP56M Certified**
- Operating Temp:
  - Two Ball: -20°C~70°C
- Life Expectancy:
  - Two Ball: 50,000 Hours
  - Two Ball: 100,000 Hours (-L)

| Model No.           | Volt. | Current | Power | Rated Speed | Maximum AirFlow |       | Maximum Static Pressure |        | Noise Level | Weight |
|---------------------|-------|---------|-------|-------------|-----------------|-------|-------------------------|--------|-------------|--------|
|                     | (VDC) | (A)     | (W)   | (rpm)       | (CMM)           | (CFM) | (InAq)                  | (mmAq) | (dB/A)      | (g)    |
| FDD1-17251CBAW3 * # | 12    | 1.31    | 15.72 | 2800        | 6.23            | 220   | 0.571                   | 14.5   | 52.0        | 1070   |
| FDD1-17251CBLW3 * # | 12    | 1.88    | 22.56 | 3200        | 7.22            | 255   | 0.736                   | 18.7   | 56.0        | 1070   |
| FDD1-17251CBMW3 * # | 12    | 2.75    | 33.00 | 3600        | 8.21            | 290   | 0.925                   | 23.5   | 60.0        | 1070   |
| FDD1-17251CBHW3 * # | 12    | 3.73    | 44.76 | 4000        | 9.20            | 325   | 1.134                   | 28.8   | 64.0        | 1070   |
| FDD1-17251DBAW3 * # | 24    | 0.65    | 15.60 | 2800        | 6.23            | 220   | 0.571                   | 14.5   | 52.0        | 1070   |
| FDD1-17251DBLW3 * # | 24    | 0.89    | 21.36 | 3200        | 7.22            | 255   | 0.736                   | 18.7   | 56.0        | 1070   |
| FDD1-17251DBMW3 * # | 24    | 1.21    | 29.04 | 3600        | 8.21            | 290   | 0.925                   | 23.5   | 60.0        | 1070   |
| FDD1-17251DBHW3 * # | 24    | 1.69    | 40.56 | 4000        | 9.20            | 325   | 1.134                   | 28.8   | 64.0        | 1070   |
| FDD1-17251DBJW3 * # | 24    | 2.41    | 57.84 | 4400        | 10.10           | 355   | 1.343                   | 34.1   | 68.0        | 1070   |
| FDD1-17251DBKW3 * # | 24    | 2.94    | 70.56 | 4800        | 11.00           | 390   | 1.587                   | 40.3   | 72.0        | 1070   |
| FDD1-17251EBAW3 * # | 48    | 0.33    | 15.84 | 2800        | 6.23            | 220   | 0.571                   | 14.5   | 52.0        | 1070   |
| FDD1-17251EBLW3 * # | 48    | 0.45    | 21.60 | 3200        | 7.22            | 255   | 0.736                   | 18.7   | 56.0        | 1070   |
| FDD1-17251EBMW3 * # | 48    | 0.60    | 28.80 | 3600        | 8.21            | 290   | 0.925                   | 23.5   | 60.0        | 1070   |
| FDD1-17251EBHW3 * # | 48    | 0.79    | 37.92 | 4000        | 9.20            | 325   | 1.134                   | 28.8   | 64.0        | 1070   |
| FDD1-17251EBJW3 * # | 48    | 1.15    | 55.20 | 4400        | 10.10           | 355   | 1.343                   | 34.1   | 68.0        | 1070   |
| FDD1-17251EBKW3 * # | 48    | 1.48    | 71.04 | 4800        | 11.00           | 390   | 1.587                   | 40.3   | 72.0        | 1070   |

\* Indicates "2" (No Special Function), "3" (Alarm), "4" (Speed Sensor), "9" (PWM), "B" (PWM + Speed Sensor) or "C" (Alarm + Speed Sensor)

# Indicates "-L56" (100,000 Hours Life Expectancy and IP56M Rated) or "-56" (50,000 Hours Life Expectancy and IP56M Rated)

Noise is measured at the distance of one (1) meter from the axis of intake.



## X-ON Electronics

Largest Supplier of Electrical and Electronic Components

*Click to view similar products for [DC Fans](#) category:*

*Click to view products by [Qualtek](#) manufacturer:*

Other Similar products are found below :

[614R](#) [AUB0612L](#) [AFB0948HH-S687](#) [G2E085-AA05-10](#) [4318/12T](#) [AUB0912H-F00](#) [3412N/2ME](#) [W2G110-AM39-01](#) [8412GLV](#) [8412NGL-12](#) [6448-384](#) [4114N/17-251](#) [4318/2R](#) [4412F/2D](#) [424JMU](#) [4414/2HH](#) [4112 N/12GL-175](#) [9GA0912F402](#) [9GA0812B20011](#)  
[AFB0824SHBAV1](#) [DV5214/2NP-230](#) [9GA0912H4021](#) [THC1548MGDJJ](#) [GFB1224SHG](#) [8500NU](#) [3241.124](#) [DC1203812W2B-2T0](#)  
[MF40060V1-1000U-G99](#) [DC0401012V2B-3T0](#) [7F.20.9.024.1020](#) [7F.20.9.024.2055](#) [ASFP12392](#) [ASFP14391](#) [ASFP64371](#) [ASFP64391](#)  
[ASFP80372](#) [ASFP84391](#) [ASFP92391](#) [ASFP94391](#) [MF92251V3-1000U-G99](#) [9A0612G402](#) [AD5012HB-C71](#) [AD5012MB-C71](#) [ASFP84372](#)  
[026758A](#) [514F](#) [412/2H](#) [4292](#) [MF60152V1-1000U-G99](#) [3610KL-04W-B50-D00](#)