



**Features:**

- Motor: Shaded Pole Induction Motor
- Motor Protection: Thermal Protected
- Bearing Type: Two Ball
- Connection: UL 1430 AWG 22, 300mm Wire Leads or Terminal
- Frame Material: Aluminum Alloy
- Impeller Material: Plastic UL94V-0
- Operating Temp:  
Two Ball: -10°C~70°C
- Life Expectancy:  
Two Ball: 50,000 Hours



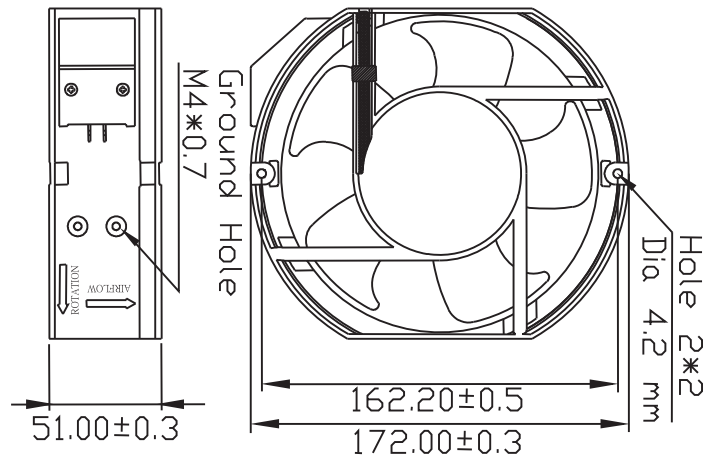
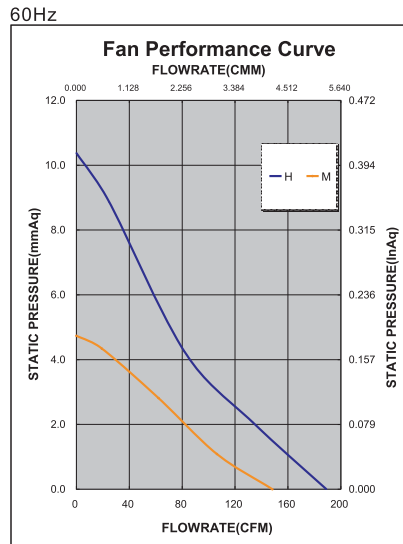
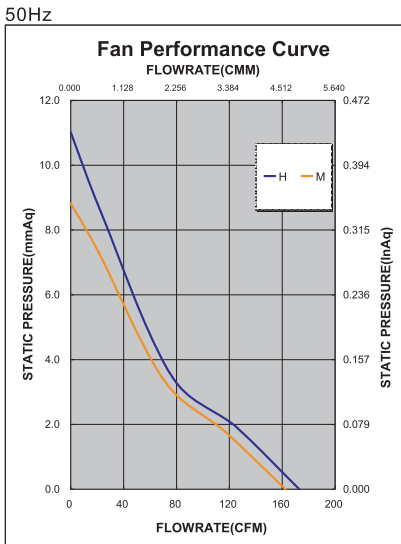
Fan-S Division



Model No.	Volt.	Freq.	Current	Power	Rated Speed	Maximum AirFlow		Maximum Static Pressure		Noise Level	Weight
	(VAC)	(Hz)	(A)	(W)	(rpm)	(CMM)	(CFM)	(InAq)	(mmAq)	(dB/A)	(g)
FKA1-17251NBH** 31	115	50/60	0.55/0.46	62.10/51.80	2600/2700	4.867/5.348	172/189	0.433/0.408	10.998/10.363	55.5/57.7	1050
FKA1-17251QBH** 31	230	50/60	0.27/0.23	59.80/50.60	2600/2700	4.867/5.348	172/189	0.433/0.408	10.998/10.363	55.5/57.7	1050
FKA1-17251NBM** 31	115	50/60	0.33/0.31	36.80/34.50	2400/2300	4.528/3.962	160/140	0.340/0.180	8.636/4.572	53.0/50.3	1050
FKA1-17251QBM** 31	230	50/60	0.17/0.17	36.80/36.80	2400/2300	4.528/3.962	160/140	0.340/0.180	8.636/4.572	53.0/50.3	1050

\*\* Indicates "W" (Wire Leads) or "T" (Terminal)

Noise is measured at the distance of one (1) meter from the axis of intake.



## X-ON Electronics

Largest Supplier of Electrical and Electronic Components

*Click to view similar products for [AC Fans](#) category:*

*Click to view products by [Qualtek](#) manufacturer:*

Other Similar products are found below :

[G9225S05B2-FSR](#) [A2D200-AA04-41](#) [A2E165-AA17-01](#) [AD0912HB-A7BGL](#) [1500-FAN-01](#) [25.001.1856.0](#) [25.320.1353.1](#) [25.320.4753.1](#)  
[25.320.5453.1](#) [25.330.1353.1](#) [25.330.4853.1](#) [25.330.5153.1](#) [25.330.5353.1](#) [25.340.1053.1](#) [25.350.5253.0](#) [25.600.4053.0](#) [272DL-2LP11-000](#)  
[A2D210-AB10-05](#) [A2D240-AA02-02](#) [A2D250-AE22-06](#) [A2E170-AF23-01](#) [F1238S24BT-FSR](#) [23241-3](#) [25.000.1856.0](#) [25.000.2056.0](#)  
[25.010.1856.0](#) [25.332.2453.1](#) [25.340.0453.1](#) [25.345.5353.0](#) [281DY-1LP14-000B](#) [298DM-2LP11-000](#) [298DS-2LP11-000A](#) [344DY-1LP11-](#)  
[000](#) [39.703.0253.0](#) [USTF1203224VHW](#) [3G2C7MC224](#) [W2S130-AA03-43](#) [W2S130-AA25-97](#) [8856N](#) [A4D315-AC20-02](#) [A2E170-AF23-11](#)  
[W2S130-AB03-09](#) [8550A](#) [8560N](#) [8880A](#) [S4D300-AR34-17](#) [S2E250-AE31-08](#) [AD0405HB-G73\(9T\)](#) [CENT-2000-FFTM](#) [CENT-2000-](#)  
[RFTM](#)