



**Features:**

- Motor: Brushless EC
- Motor Protection: Electronically Protected
- Bearing Type: Two Ball
- Connection: UL 1007 AWG 22, 300mm Wire Leads or Terminal
- Frame Material: Plastic UL94V-0
- Impeller Material: Plastic UL94V-0
- IP54 Rated (Optional: IP55, IP56)
- Operating Temp:  
Two Ball: -20°C~70°C
- Life Expectancy:  
Two Ball: 70,000 Hours (40°C)



**Fan-S Division**

Note: FMA1-08025WBM and FMA1-08025WBL series fans have CE approval only.



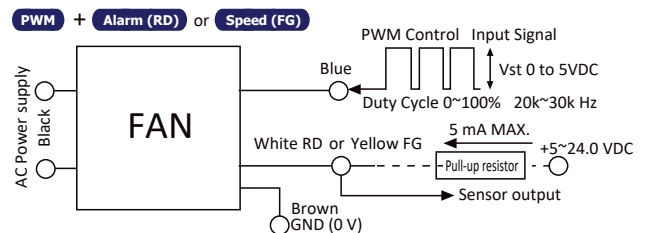
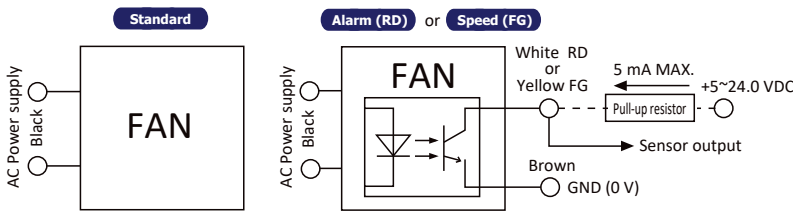
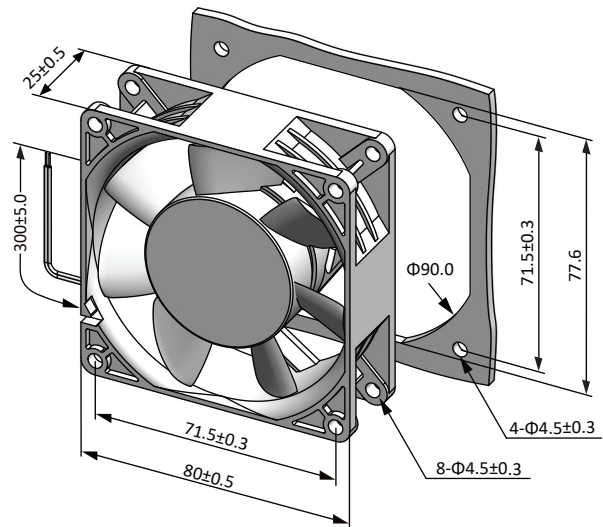
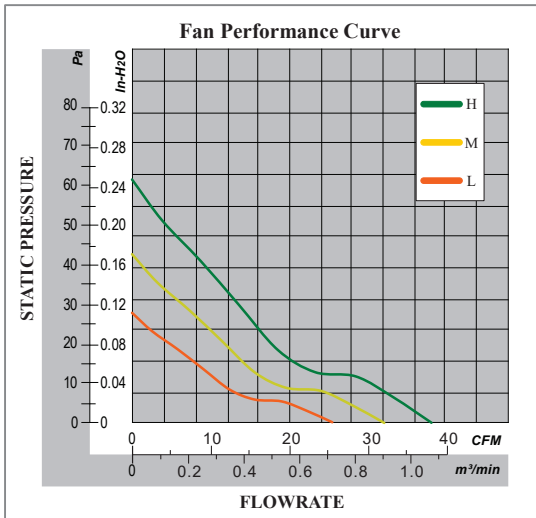
Model No.	Volt.	Current	Power	Rated Speed	Maximum AirFlow		Maximum Static Pressure		Noise Level	Weight
	(VAC)	(A)	(W)	(rpm)	(CMM)	(CFM)	(InAq)	(Pa)	(dB/A)	(g)
FMA1-08025WBH*1**#	100-240	0.06	4.50	3500	1.10	38.92	0.25	61.49	31.0	95
FMA1-08025WBM*1**#	100-240	0.05	2.80	3000	0.91	32.13	0.17	42.27	27.0	95
FMA1-08025WBL*1**#	100-240	0.04	1.60	2500	0.74	26.09	0.11	27.75	24.0	95

\* Indicates "W" (Wire Leads) or "T" (Terminal)

\*\* Indicates "2" (No Special Function), "3" (Alarm), "4" (Speed Sensor), "9" (PWM), "B" (PWM + Speed Sensor) or "J" (PWM + Alarm)

# Indicates "-55" (IP55 Rated), "-56" (IP56 Rated), or Leave Blank (IP54 Rated)

Noise is measured at the distance of one (1) meter from the axis of intake.



Note: Standard Qualtek EC fans have either 2 lead wires, or terminals  
 Alarm (RD) or Speed Sensor (FG) fans have 4 lead wires. RD - White color, FG - Yellow color, GND - Brown  
 PWM with Alarm (RD) or Speed Sensor (FG) have 5 lead wires. PWM - Blue color, GND - Brown

## X-ON Electronics

Largest Supplier of Electrical and Electronic Components

*Click to view similar products for [EC Fans](#) category:*

*Click to view products by [Qualtek](#) manufacturer:*

Other Similar products are found below :

[N43-45001](#) [ACi4400H](#) [ACi4400L](#) [3238.500](#) [3241.500](#) [CF4113MBL-000U-AE9](#) [ACi4400HH](#) [ACI4400MLR](#) [CF4113HBT-000U-ABD](#)  
[AC4300H](#) [ACi4410HH](#) [ACi4420HH](#) [ACI4420ML](#) [W1G200-EF01-01](#) [W1G230-EB97-01](#) [W1G250-BB17-01](#) [W3G250-CD54-01](#) [W3G280-](#)  
[EQ08-44](#) [W3G280-EQ20-43](#) [FMA1-06025WBHW12](#) [FMA1-08025WBHT12](#) [FMA1-08038WBHT12](#) [FMA1-09225WBHT12](#) [FMA1-](#)  
[09225WBHW12](#) [FMA1-09238WBHT12](#) [FMA1-09238WBHW12](#) [FMA1-12025WBHT12](#) [FMA1-12025WBHW12](#) [FMA1-12038WBHT12](#)  
[FMA1-12038WBHW12](#) [FMA1-12038WBJW12-A](#) [FMA1-17251WBHW32](#) [CF4113HBL-000U-AB9](#) [CF4113LBL-000U-AB9](#) [CF4113LBL-](#)  
[000U-ABD](#) [CF4113MBL-000U-AB9](#) [CF4113MBL-000U-ABD](#) [W1G250-BB21-01](#) [W2G107-AD01-13](#) [W2G107-AD03-13](#) [W1G200-EA95-](#)  
[68](#) [CF4113LBT-000U-A99](#) [CF4113MBL-000U-AA9](#) [CF4113MBT-000U-A99](#) [CF4113LBL-000U-AA9](#) [CF4113MBT-000U-AA9](#)  
[CF4113LBT-000U-AA9](#) [CF4113MBT-000U-AB9](#) [CF4113MBL-000U-A99](#) [CF4113HBT-000U-AA9](#)