



Features:

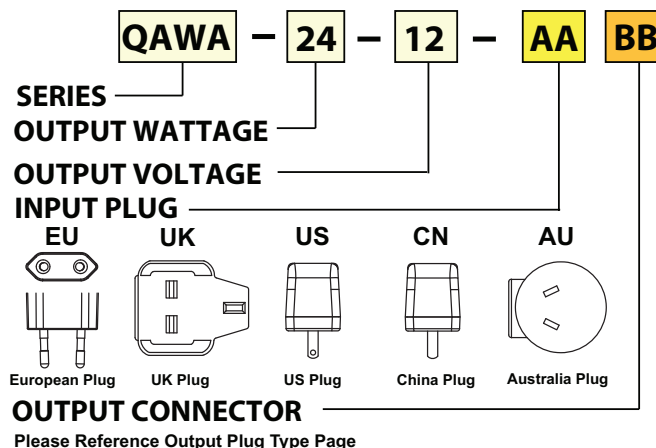
- Universal AC input/ Full Range
- Energy Efficiency Level VI
- ErP Step 2 Compliant
- NRCan and GEMS Compliant
- Output Protections: OVP/SCP/OC
- No Load Power Consumption <0.1W
- 1 Year Warranty



Model	QAWA-24-5	QAWA-24-5.9	QAWA-24-7	QAWA-24-7.5	QAWA-24-9	QAWA-24-12	QAWA-24-15	QAWA-24-24	QAWA-24-48
Output Characteristics									
DC Output	5V	5.9V	7V	7.5V	9V	12V	15V	24V	48V
Rated Current	4.0A	3.5A	3.0A	3.0A	2.5A	2.0A	1.6A	1.0A	0.5A
Ripple and Noise	±2% Vo @ Rated Load								
Load Regulation (Typ.)	±5%								
Transient Response (Typ.)	0.5mS for 50% Load Change								
Hold-up Time (Typ.)	10mS @ Rated Load								
Output Protection	Short Circuit, Over Voltage, Over Current								
Ferrite Core	No								
Input Characteristics									
Voltage Range	100VAC~240VAC								
Frequency Range	50Hz-60Hz								
Efficiency	DoE Level VI, Energy Star, ErP Step 2, NRCan & GEMS Level VI Certified								
AC Current (max)	0.58A								
Input Protection	Internal Primary Current Fuse, Inrush Limiting								
Leakage Current	0.25mA								
Environmental Characteristics									
Operating Temperature	0°C~40°C								
Operating Relative Humidity	20% RH to 80% RH								
Storage Temperature	-20°C~80°C, 10% RH to 90% RH								
Topology	Switching Flyback								
Dielectric Withstand	3000VAC Primary-Secondary								
EMI Conduction & Radiation	Compliance to EN55022 Class B								
Harmonic Current	Compliance to EN61000-3-2, 3								
EMS Immunity	Compliance to IEC61000-4-2, 3, 4, 5, 6, 8, 11								
Characteristics									
MTBF	300,000Hrs (25°C, Telecordia SR-332)								
Dimension (LxWxH)	72x34x69mm (US), 72x34x90mm (EU), 72x50x81mm (UK), 72x40x78 (AU), 72x34x69 (CN)								
Weight	148g (US), 154g (EU), 158g (UK), 150g (AU), 148g (CN)								

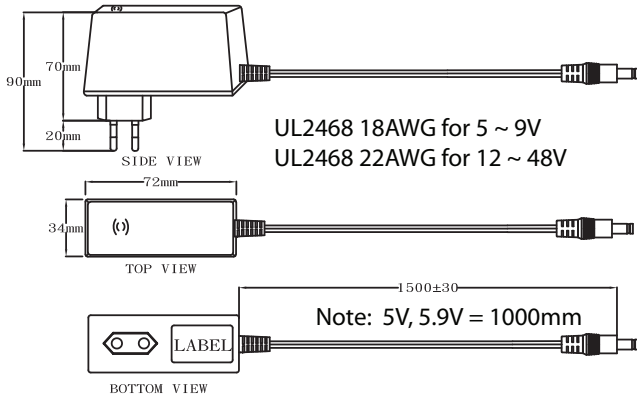
Note: Safety Approvals
 EU: CB, CE, LPS
 UK: CB, CE, LPS
 US: CB, UL, cUL, FCC, PSE, BSMI, LPS
 AU: CB, RCM, LPS
 CN: CB, CCC, LPS

PART NUMBER SYSTEM

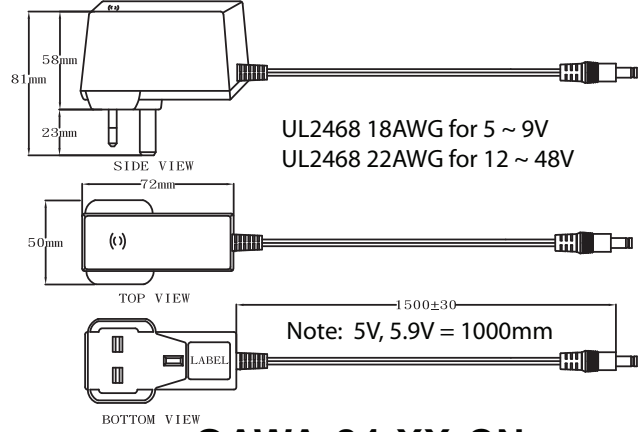


MECHANICAL SPECIFICATIONS

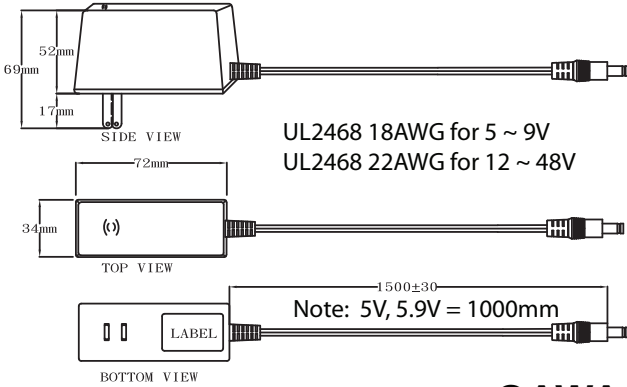
QAWA-24-XX-EU



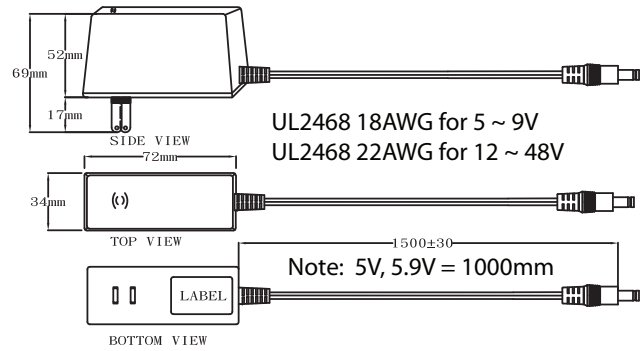
QAWA-24-XX-UK



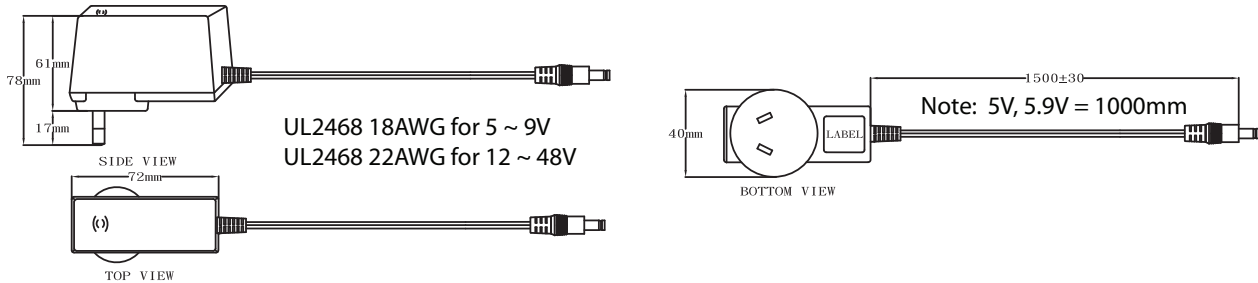
QAWA-24-XX-US



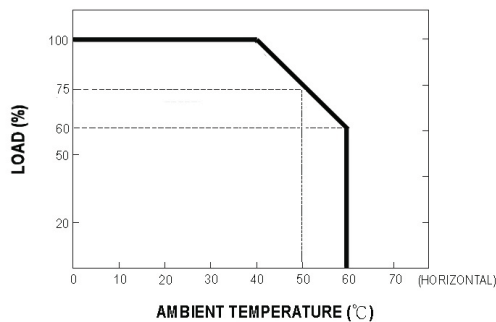
QAWA-24-XX-CN



QAWA-24-XX-AU



DERATING CURVE



UNIT: mm

X-ON Electronics

Largest Supplier of Electrical and Electronic Components

Click to view similar products for [Wall Mount AC Adapters](#) category:

Click to view products by [Qualtek](#) manufacturer:

Other Similar products are found below :

[ADP-163 E](#) [ADP-167 J](#) [ADP-168 K](#) [ADP-159 A](#) [ADP-165 G](#) [PSAC05A-050L6](#) [RLMDT361800](#) [P25A14E-R1C](#) [DA10-050CH](#) [DA5-050US-B](#) [DA10-050UK](#) [RLMDT701800](#) [WSU120-2000-R13](#) [WSU180-1330-13](#) [AC-DC ADAPTER 160W](#) [WSU120-2000-13](#) [WSU150-0800-13](#) [WSU075-3200-13](#) [WSU060-2000-R13](#) [WSU090-2500-13](#) [WSU050-2000-R13](#) [WSU240-1000-13](#) [WSU240-0500-R13](#) [WSU075-1500-13](#) [WSU050-3000-13](#) [WSU120-1500-13](#) [WSU120-1500-R13](#) [WSU045-1500-13](#) [WSU240-0750-13](#) [WSU090-2500-R13](#) [WSU240-1500-13](#) [WSU180-0660-13](#) [WSU075-1500-R13](#) [WSU090-1300-13](#) [WSU180-1330-R13](#) [BB-SMI1812VP230C1](#) [WSU050-1500-13](#) [WSU090-0800-13](#) [WSU120-0700-13](#) [WSU045-3000-13](#) [WSU180-0450-13](#) [WSU150-0560-R13](#) [WSU135-0880-13](#) [WSU120-3000-13](#) [WSU120-1000-R13](#) [WSU090-1300-R13](#) [WSU060-1250-R13](#) [WSU060-1250-13](#) [WSU045-2000-R13](#) [WSU045-1500-R13](#)