

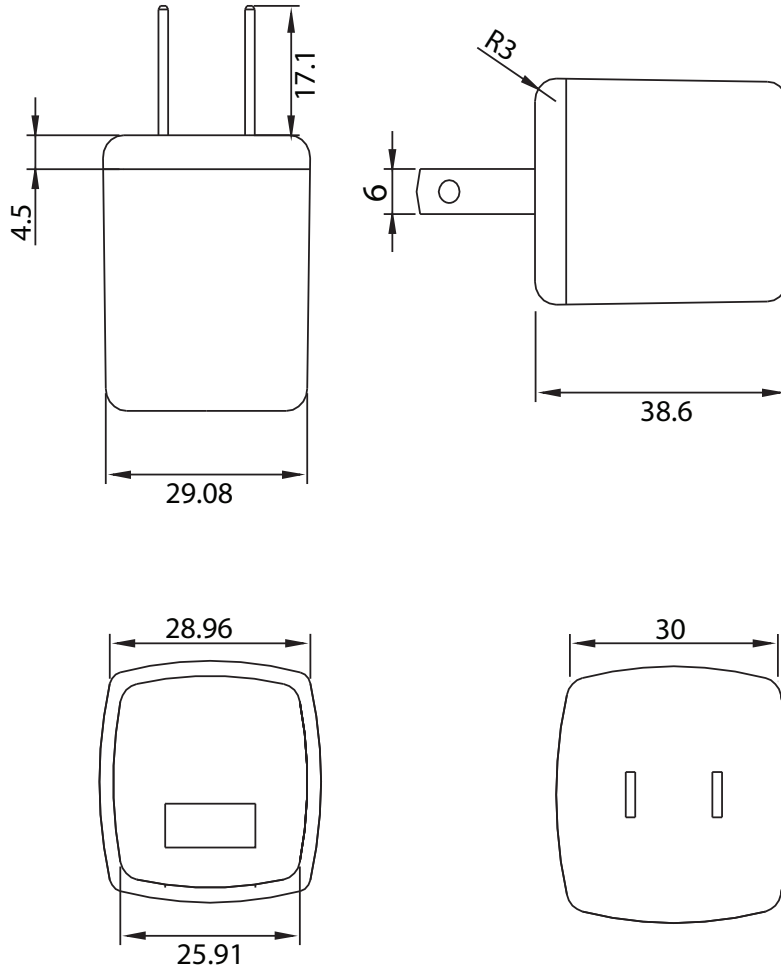
**Features:**

- Universal AC input/ Full range
- Energy Efficiency Level VI
- 2 Pole USA Plug (NEMA 1-15P)
- Wide Operating Ambient Temperature (-20°C~40°C)
- Pass LPS
- High Efficiency, and High Reliability
- Output Protections: OLP/OVP/SCP
- No Load Power Consumption <0.1W



Model	QFAW-05-05	QFAW-06-06
Output Characteristics		
DC Output	5V	5.9V
Rated Current	1A	1A
Current Range	0~1A	0~1A
Ripple and Noise (max)	50mV	
Voltage Accuracy	±10%	
Line Regulation	±1.0%	
Load Regulation	±5.0%	
Set-up Time	<3.0s (100VAC input, full load)	
Hold-up Time	>10ms (100VAC input, full load)	
Input Characteristics		
Voltage Range	90VAC~264VAC	
Frequency Range	47Hz-63Hz	
Efficiency	Level VI	
AC Current (max)	0.3A	
Inrush Current (Typical)	30A@100VAC Cold start, 75A@240VAC Cold start	
Protection		
Over Load (OLP)	Shutdown, auto recovery	
Over Voltage (OVP)	Shutdown, auto recovery	
Short Circuit (SCP)	Shutdown, auto restart	
Environmental Characteristics		
Operating Amb. Temp. & Hum	-20°C~40°C; 20%~90% RH Non-Condensing	
Storage Temp. & Hum	-20°C~75°C; 0%~90% RH Non-Condensing	
Safety Standards	UL60950-1	
EMI Conduction & Radiation	Compliance to FCC part 15 Class B	
General Characteristics		
MTBF	More than 50,000Hrs (25°C, Full load)	
Dimension (LxWxH)	38.6x30x30mm	

MECHANICAL SPECIFICATIONS



UNIT: mm

X-ON Electronics

Largest Supplier of Electrical and Electronic Components

Click to view similar products for [Wall Mount AC Adapters](#) category:

Click to view products by [Qualtek](#) manufacturer:

Other Similar products are found below :

[ADP-163 E](#) [ADP-167 J](#) [ADP-168 K](#) [ADP-159 A](#) [ADP-165 G](#) [PSAC05A-050L6](#) [RLMDT361800](#) [P25A14E-R1C](#) [DA10-050CH](#) [DA5-050US-B](#) [DA10-050UK](#) [RLMDT701800](#) [WSU120-2000-R13](#) [WSU180-1330-13](#) [AC-DC ADAPTER 160W](#) [WSU120-2000-13](#) [WSU150-0800-13](#) [WSU075-3200-13](#) [WSU060-2000-R13](#) [WSU090-2500-13](#) [WSU050-2000-R13](#) [WSU240-1000-13](#) [WSU240-0500-R13](#) [WSU075-1500-13](#) [WSU050-3000-13](#) [WSU120-1500-13](#) [WSU120-1500-R13](#) [WSU045-1500-13](#) [WSU240-0750-13](#) [WSU090-2500-R13](#) [WSU240-1500-13](#) [WSU180-0660-13](#) [WSU075-1500-R13](#) [WSU090-1300-13](#) [WSU180-1330-R13](#) [BB-SMI1812VP230C1](#) [WSU050-1500-13](#) [WSU090-0800-13](#) [WSU120-0700-13](#) [WSU045-3000-13](#) [WSU180-0450-13](#) [WSU150-0560-R13](#) [WSU135-0880-13](#) [WSU120-3000-13](#) [WSU120-1000-R13](#) [WSU090-1300-R13](#) [WSU060-1250-R13](#) [WSU060-1250-13](#) [WSU045-2000-R13](#) [WSU045-1500-R13](#)