

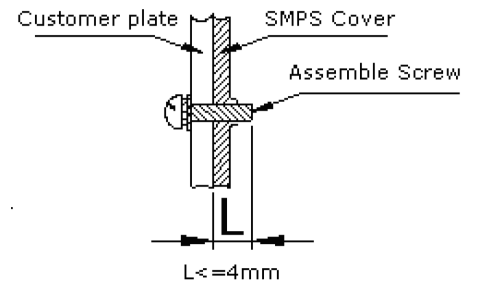
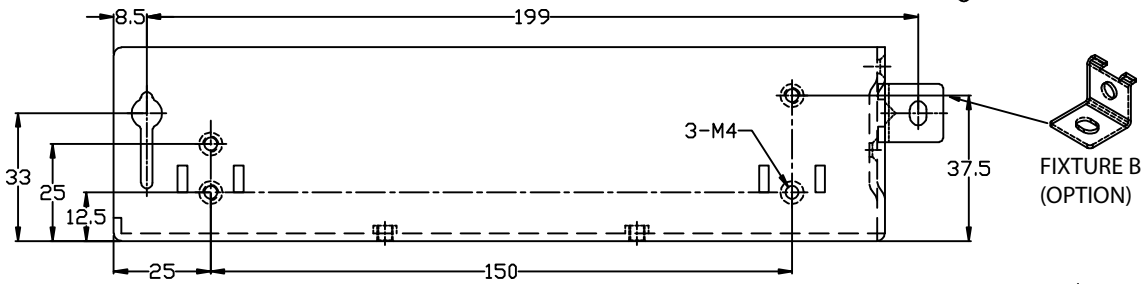
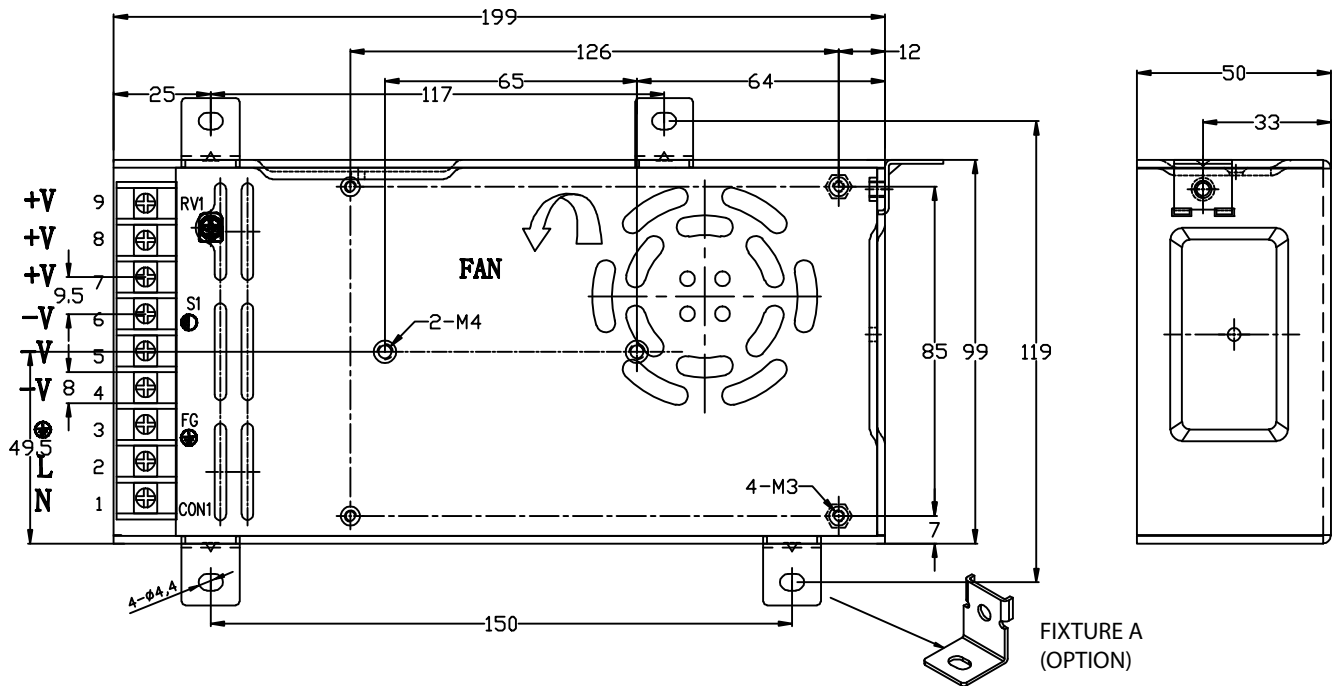
**Features:**

- Universal AC input/ Full range
- Built-in active PFC function, PF>0.95
- High Efficiency, and High Reliability
- Output Protections: OLP/OPP/SCP
- Withstand 300VAC Surge Input for 5 Sec
- Operating Altitude up to 5000m
- Wide operating ambient temperature (-25°C~70°C)
- Conformal Coating on both sides of PCB
- All using 105°C long life electrolytic capacitors.
- 100% full load burn-in test



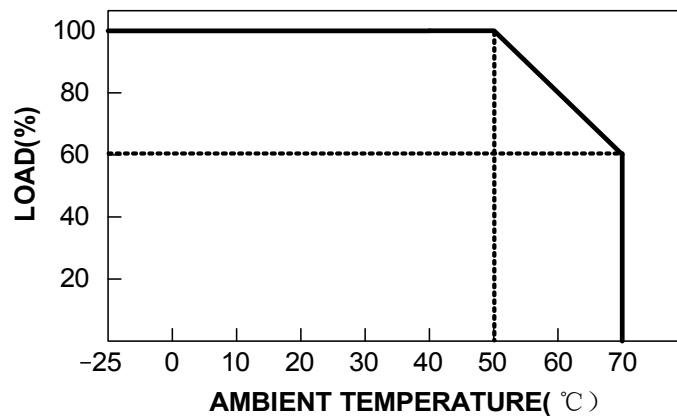
Model	QGKF-320-5	QGKF-320-12	QGKF-320-24	QGKF-320-48
Output Characteristics				
DC Output	5V	12V	24V	48V
Rated Current	55A	25A	13A	6.7A
Current Range (Note 1)	0~55A	0~25A	0~13A	0~6.7A
Ripple and Noise (Note 2)	<150mV	<150mV	<200mV	<200mV
Voltage ADJ. Range	-5% ~ +10% of rated output voltage			
Voltage Accuracy	±1.0%			
Line Regulation	±0.5%			
Load Regulation	±1.0%			
Set-up Time	<2.0s (230VAC input, full load)			
Hold-up Time	>10ms (230VAC input, full load)			
Temperature Coefficient	±0.03%/°C			
Overshoot and Undershoot	<5.0%			
Input Characteristics				
Voltage Range	85VAC~264VAC, 120VDC~370VDC			
Frequency Range	47Hz-63Hz			
Power Factor (Typical)	PF>0.98/115VAC PF>0.95/230VAC			
Efficiency (Typical)	79%	84.5%	87%	87.5%
AC Current (max)	<4.5A			
Inrush Current (Typical)	<30A@115VAC Cold start <50A@230VAC Cold start			
Leakage Current	Input-Output: <0.25mA Input-PG: <1.0mA			
Protection				
Over Load (OLP)	105%~150% of rated output current, hiccup mode, auto recovery			
Over Power (OPP)	105%~150% of rated output power, hiccup mode, auto recovery			
Short Circuit (SCP)	Long-term mode, auto recovery			
Environmental Characteristics				
Operating Amb. Temp. & Hum	-25°C~70°C; 20%~90% RH Non-Condensing			
Storage Temp. & Hum	-40°C~85°C; 10%~95% RH Non-Condensing			
Vibration	10 ~500Hz, 2G 10min/1cycle, period for 60min. Each along X, Y, Z axes			
Safety Standards	UL60950-1 2nd Ed; IEC 60950-1:2005(2nd Ed); EN60950-1: 2006			
Withstand Voltage	Primary-Secondary: 3.0KVAC;≤10mA. Primary-PG: 1.5KVAC;≤10mA. Secondary-PG: 0.5KVDC;≤10mA			
Isolation Resistance	≥100M ohms			
EMI Conduction & Radiation	Compliance to EN55022, EN55024 Class B			
Harmonic Current	Compliance to EN61000-3-2, -3			
EMS Immunity	Compliance to EN61000-4-2, 3, 4, 5, 6, 8, 11; EN55024, EN61000-6-2 heavy industry level			
General Characteristics				
MTBF (MIL-HDBK-217F)	More than 200,000Hrs (25°C, Full load)			
Dimension (LxWxH)	199x99x50mm			
Packing	12PCS/CTN. G.W: 9.8kgs			
Cooling Method	Cooling by forced air (built-in DC fan)			
Note	<ol style="list-style-type: none"> 1. All parameters NOT specially mentioned are measured at rated input, rated load, and 25°C of ambient temperature 2. Measured at 20MHz of bandwidth by using a 12" Twisted pair wire terminated with a 0.1uF & 47uF parallel capacitor 3. The SPS is considered a component which will be installed into final equipment. The equipment must be re-confirmed that it still meets EMC directives. 			

MECHANICAL SPECIFICATIONS



Pin No.	Assignment
1	AC-N
2	AC-L
3	F.G
4,5,6	DC output -V
7,8,9	DC output +V

DERATING CURVE



UNIT: mm

X-ON Electronics

Largest Supplier of Electrical and Electronic Components

Click to view similar products for [Switching Power Supplies](#) category:

Click to view products by [Qualtek](#) manufacturer:

Other Similar products are found below :

[70841011](#) [73-551-0005](#) [73-551-0048](#) [PS3E-B12F](#) [PS3E-E12F](#) [AAD600S-4-OP](#) [R22095](#) [KD0204](#) [9021](#) [LDIN100150](#) [LPM000-BBAR-01](#)
[LPX17S-C](#) [EVS57-10R6/R](#) [FP80](#) [FRV7000G](#) [22929](#) [PS3E-F12F](#) [CQM1IA121](#) [40370121900](#) [VI-PU22-EXX](#) [40370121910](#) [LDIN5075](#)
[LPM615-CHAS](#) [LPX140-C](#) [09-160CFG](#) [70841025](#) [VPX3000-CBL-DC](#) [LPM000-BBAR-05](#) [LPM000-BBAR-08](#) [LPM124-OUTA1-48](#)
[LPM000-BBAR-07](#) [LPM109-OUTA1-10](#) [LPM616-CHAS](#) [08-30466-1055G](#) [08-30466-2175G](#) [08-30466-2125G](#) [DMB-EWG](#) [TVQF-1219-](#)
[18S](#) [6504-226-2101](#) [CQM1IPS01](#) [SP-300-5](#) [CQM1-IPS02](#) [VI-MUL-ES](#) [22829](#) [08-30466-0065G](#) [VI-RU031-EWWX](#) [08-30466-0028G](#) [VI-](#)
[LUL-EU](#) [EP3000AC48INZ](#) [VP-C2104853](#)