

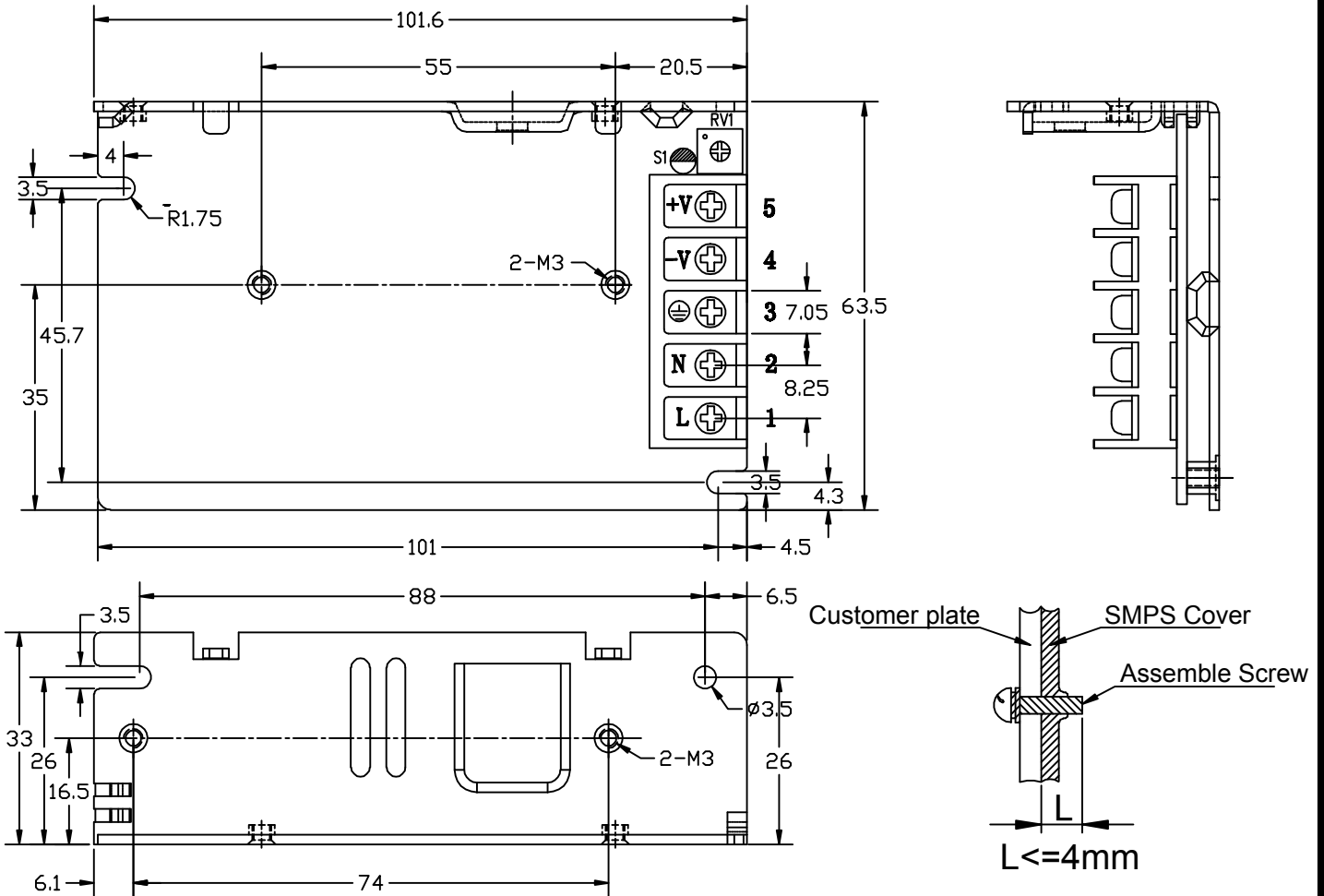
**Features:**

- Universal AC input/ Full range
- No Load Power Consumption <0.5W
- Wide Operating Ambient Temperature (-25°C~70°C)
- Operating Altitude up to 5000M
- High Efficiency, and High Reliability
- Output Protections: OLP/OVP/SCP
- All using 105°C long life electrolytic capacitors.
- 100% full load burn-in test
- Withstand 300VA Surge Input for 5 Sec
- PCB soldering side with conformal coating



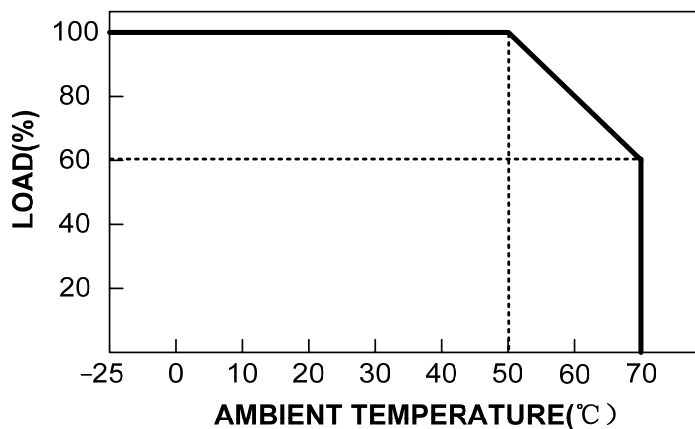

Model	QPD-35-5	QPD-35-12	QPD-35-15	QPD-35-24	QPD-35-48	
Output Characteristics						
DC Output	5V	12V	15V	24V	48V	
Rated Current	6A	3A	2.4A	1.5A	0.76A	
Current Range	0~6A	0~3A	0~2.4A	0~1.5A	0~0.76A	
Ripple and Noise	0~70°C	50mV	80mV	120mV	180mV	
	-25~0°C	80mV	180mV	200mV	240mV	
Voltage ADJ. Range	4.75V~5.5V	11.4V~13.2V	14.3V~16.5V	22.8V~26.4V	45.6V~52.8V	
Voltage Accuracy	±3.0%	±3.0%	±3.0%	±3.0%	±3.0%	
Line Regulation	±0.5%	±0.5%	±0.5%	±0.5%	±0.5%	
Load Regulation	±1.0%	±1.0%	±1.0%	±1.0%	±1.0%	
Set-up Time	<1.0s (230VAC input, full load)					
Hold-up Time	>10ms (115VAC input, full load); >20ms (230VAC input, full load)					
Temperature Coefficient	±0.03%/°C					
Overshoot and Undershoot	<5.0%					
Input Characteristics						
Voltage Range	90VAC~264VAC, 127VDC~370VDC					
Frequency Range	47Hz-63Hz					
Efficiency (Typical)	115VAC Input	79%	83%	85%	86%	87%
	230VAC Input	80%	84%	86%	87%	88%
AC Current (max)	<1.0A					
Inrush Current (Typical)	<50A@230VAC Cold start					
Leakage Current	Input-Output: <3.5mA Input-PG: <0.25mA					
Protection						
Over Load (OLP)	105%~150% of rated output current, constant power, auto recovery					
Over Voltage (OVP)	105%~150% of rated output voltage, constant voltage					
Short Circuit (SCP)	Long-term mode, auto recovery					
Environmental Characteristics						
Operating Amb. Temp. & Hum	-25°C~70°C; 20%~90% RH Non-Condensing					
Storage Temp. & Hum	-40°C~85°C; 10%-95% RH Non-Condensing					
Safety Standards	UL60950-1; EN60950-1: 2006					
Withstand Voltage	Primary-Secondary: 3.0KVAC;≤10mA. Primary-PG: 1.5KVAC;≤10mA. Secondary-PG: 0.5KVDC;≤10mA					
Isolation Resistance	≥100M ohms					
EMI Conduction & Radiation	Compliance to EN55022(CISPR22) Class B					
Harmonic Current	Compliance to EN61000-3-2,-3					
EMS Immunity	Compliance to EN61000-4-2, 3, 4, 5, 6, 8, 11; ENV50204, light industry level, criteria A					
General Characteristics						
MTBF (MIL-HDBK-217F)	More than 200,000Hrs (25°C, Full load)					
Dimension (LxWxH)	101.6x63.5x33mm					
Packing	60PCS/CTN. G.W: 15.08kgs					
Cooling Method	Cooling by free air convection					

MECHANICAL SPECIFICATIONS



Pin No.	Assignment
1	AC-L
2	AC-N
3	F.G
4	DC output -V
5	DC output +V

DERATING CURVE



UNIT: mm

X-ON Electronics

Largest Supplier of Electrical and Electronic Components

Click to view similar products for [Switching Power Supplies](#) category:

Click to view products by [Qualtek](#) manufacturer:

Other Similar products are found below :

[70841011](#) [73-551-0005](#) [73-551-0048](#) [PS3E-B12F](#) [PS3E-E12F](#) [AAD600S-4-OP](#) [R22095](#) [KD0204](#) [9021](#) [LDIN100150](#) [LPM000-BBAR-01](#)
[LPX17S-C](#) [EVS57-10R6/R](#) [FP80](#) [FRV7000G](#) [22929](#) [PS3E-F12F](#) [CQM1IA121](#) [40370121900](#) [VI-PU22-EXX](#) [40370121910](#) [LDIN5075](#)
[LPM615-CHAS](#) [LPX140-C](#) [09-160CFG](#) [70841025](#) [VPX3000-CBL-DC](#) [LPM000-BBAR-05](#) [LPM000-BBAR-08](#) [LPM124-OUTA1-48](#)
[LPM000-BBAR-07](#) [LPM109-OUTA1-10](#) [LPM616-CHAS](#) [08-30466-1055G](#) [08-30466-2175G](#) [08-30466-2125G](#) [DMB-EWG](#) [TVQF-1219-](#)
[18S](#) [6504-226-2101](#) [CQM1IPS01](#) [SP-300-5](#) [CQM1-IPS02](#) [VI-MUL-ES](#) [22829](#) [08-30466-0065G](#) [VI-RU031-EWWX](#) [08-30466-0028G](#) [VI-](#)
[LUL-EU](#) [EP3000AC48INZ](#) [VP-C2104853](#)