

AP4580

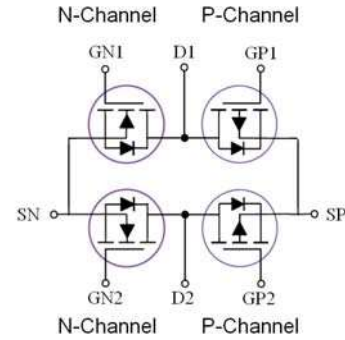
Full-bridge of MOSFET

Features

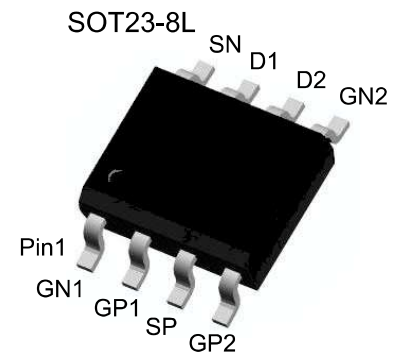
- | | |
|--|---|
| N-Channel | P-Channel |
| • $BV_{DSS} = 20V$ | • $BV_{DSS} = -20V$ |
| • $R_{DS(on)} (@V_{GS} = 4.5V) < 72m\Omega$ | • $R_{DS(on)} (@V_{GS} = -4.5V) < 146m\Omega$ |
| • $R_{DS(on)} (@V_{GS} = 2.5V) < 90m\Omega$ | • $R_{DS(on)} (@V_{GS} = -2.5V) < 220m\Omega$ |
| • Advanced Trench Technology | |
| • Excellent $R_{DS(on)}$ and Low Gate Charge | |
| • Lead free product is acquired | |

Application

- Load Switch
- PWM Application
- Power management



Package



Absolute Maximum Ratings ($T_A = 25^\circ C$ unless otherwise noted)

Parameter	Symbol	Maximum		Units
		N-Channel	P-Channel	
Drain-Source Voltage	V_{DS}	20	-20	V
Gate-Source Voltage	V_{GS}	± 10	± 10	V
Drain Current ($T_A=25^\circ C, t<10s, V_{GS}=10V$)	I_D	2.0	-1.8	A
Drain Current ($T_A=75^\circ C, t<10s, V_{GS}=10V$)		1.5	-1.3	A
Pulsed Drain Current ^a	I_{DM}	12	-10	A
Power Dissipation ^b ($T_A=25^\circ C$)	P_D	1.4	1.4	W
Power Dissipation ^b ($T_A=75^\circ C$)		1.0	0.9	W
Junction and Storage Temperature Range	T_J, T_{STG}	-55 ~ +150	-55 ~ +150	$^\circ C$

Thermal Characteristics

Parameter	Symbol	Maximum		Units
		P-Channel	N-Channel	
Junction-to-Ambient ^a ($t \leq 10s$)	$R_{\theta JA}$	100	100	$^\circ C/W$
Junction-to-Ambient ^{a,d} (Steady-State)		130	130	$^\circ C/W$
Junction-to-Lead (Steady-State)	$R_{\theta JL}$	90	90	$^\circ C/W$

AP4580
Full-bridge of MOSFET

N-Channel Electrical Characteristics ($T_A = 25^\circ\text{C}$ unless otherwise noted)						
Symbol	Parameter	Conditions	Min	Typ	Max	Units
Off Characteristics						
BV_{DSS}	Drain-Source Breakdown Voltage	$V_{GS} = 0V, I_D = 250\mu A$	20			V
I_{DSS}	Zero Gate Voltage Drain Current	$V_{DS} = 20V, V_{GS} = 0V$			1	μA
I_{GSS}	Gate-Body Leakage Current	$V_{GS} = \pm 10V, V_{DS} = 0V$			± 100	nA
On Characteristics						
$V_{GS(th)}$	Gate Threshold Voltage	$V_{DS} = V_{GS}, I_D = 250\mu A$	0.45	0.7	1.0	V
$R_{DS(ON)}$	Drain-Source On-State Resistance	$V_{GS} = 2.5V, I_D = 1.0A$		70	90	$m\Omega$
		$V_{GS} = 4.5V, I_D = 2.0A$		60	72	$m\Omega$
g_{FS}	Forward Transconductance	$V_{DS} = 5V, I_D = 1.5A$		20		S
Drain-Source Diode Characteristics						
V_{SD}	Diode Forward Voltage	$V_{GS} = 0V, I_S = 1.0A$			1.2	V
I_S	Maximum Body-Diode Continuous Current				2.0	A
Dynamic Characteristics						
C_{iss}	Input Capacitance	$V_{DS} = 10V, V_{GS} = 0V$ $f = 1.0MHz$		240		pF
C_{oss}	Output Capacitance			45		pF
C_{rss}	Reverse Transfer Capacitance			23		pF
Switching Characteristics						
Q_g	Total Gate Charge	$V_{DS} = 10V, I_D = 2.0A$ $V_{GS} = 6V$		2.7		nC
Q_{gs}	Gate-Source Charge			0.5		nC
Q_{gd}	Gate-Drain Charge			0.4		nC
$t_{D(ON)}$	Turn-On Delay Time	$V_{DD} = 10V, I_D = 1A$ $V_{GS} = 6V$ $R_{GEN} = 6\text{ ohm}$		2.3		ns
t_r	Turn-On Rise Time			3.2		ns
$t_{D(OFF)}$	Turn-Off Delay Time			20		ns
t_f	Turn-Off Fall Time			3		ns

Notes:

1. Repetitive Rating: Pulse width limited by maximum junction temperature.
2. Surface Mounted on FR4 Board, $t \leq 10$ sec.
3. Pulse Test: Pulse Width $\leq 300\mu s$, Duty Cycle $\leq 2\%$.
4. Guaranteed by design, not subject to production

AP4580

Full-bridge of MOSFET

Typical Electrical and Thermal Characteristics

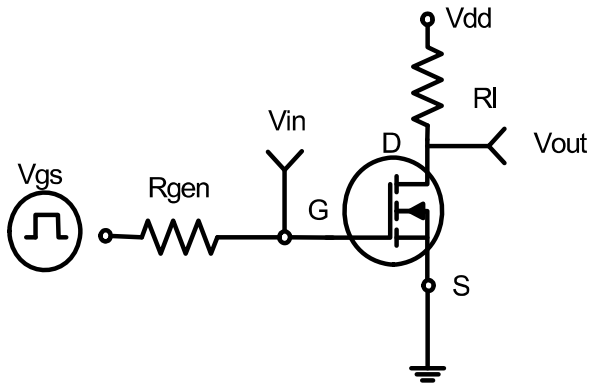


Figure 1: Switching Test Circuit

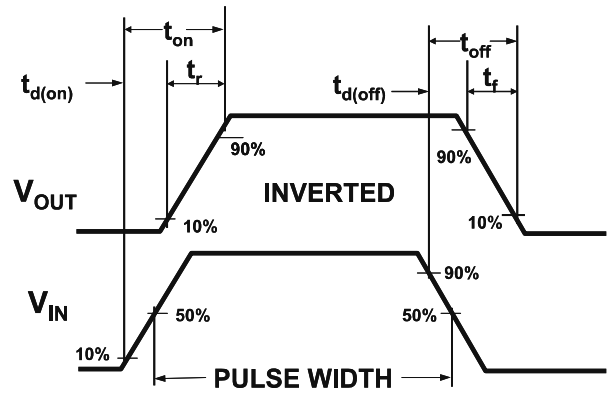


Figure 2: Switching Waveforms

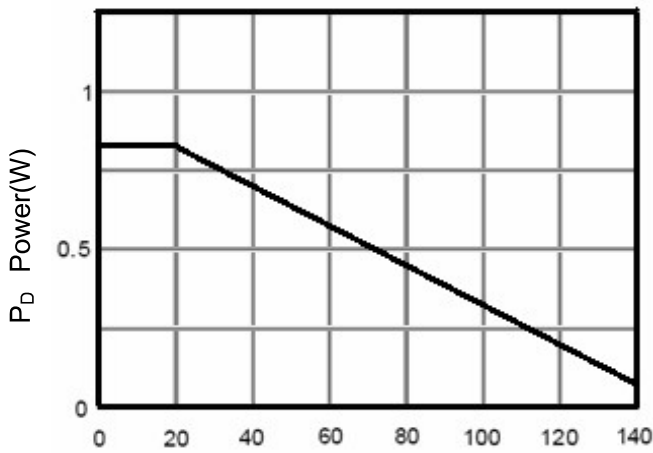


Figure 3 Power Dissipation

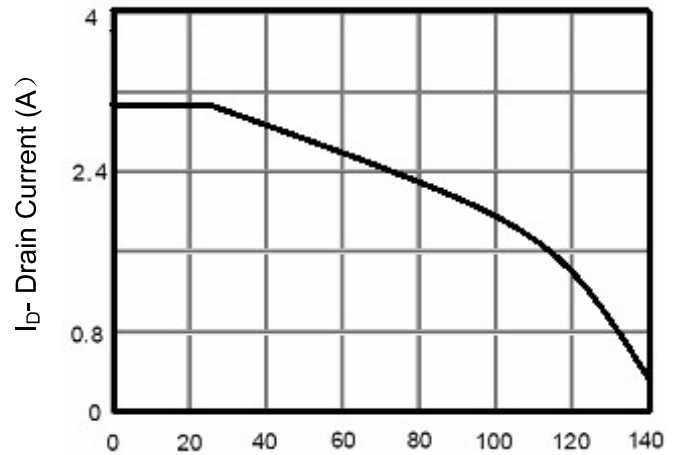


Figure 4 Drain Current

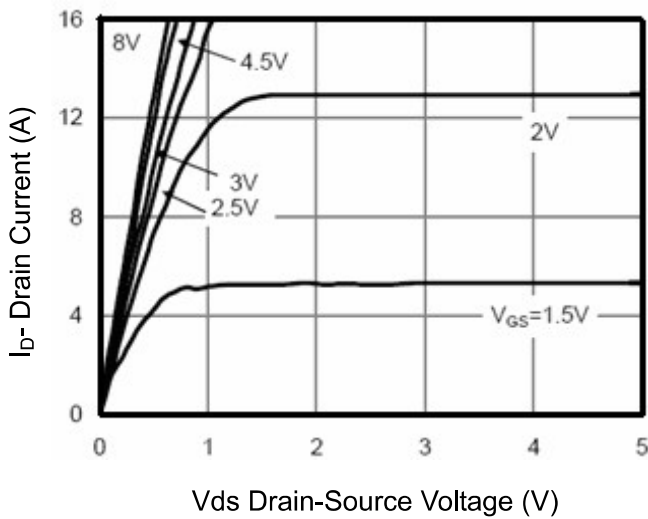


Figure 5 Output Characteristics

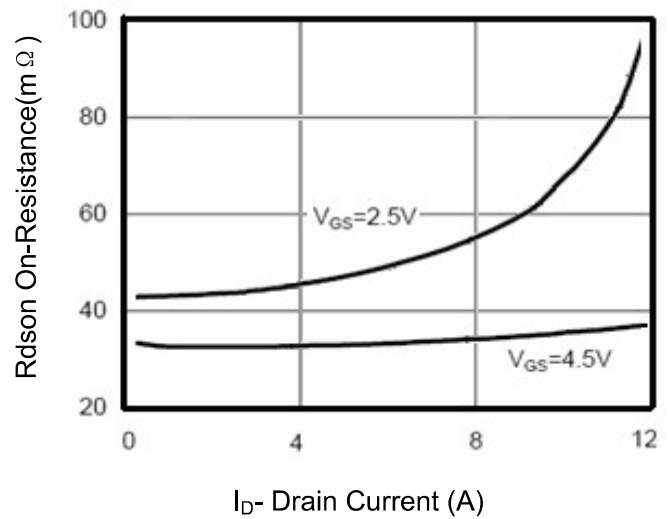


Figure 6 Drain-Source On-Resistance

AP4580

Full-bridge of MOSFET

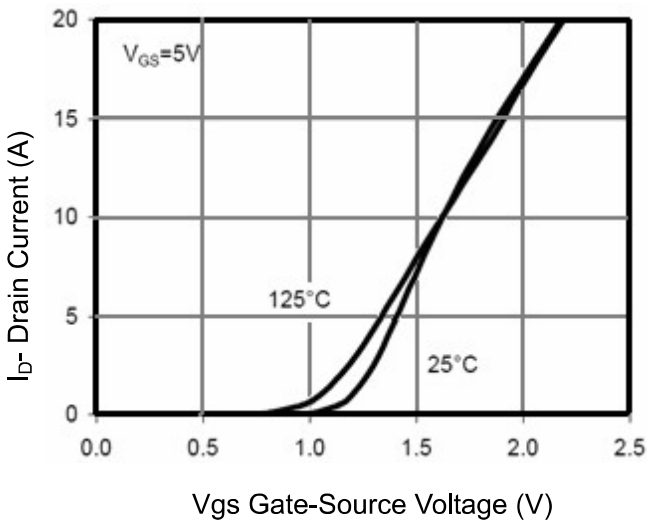


Figure 7 Transfer Characteristics

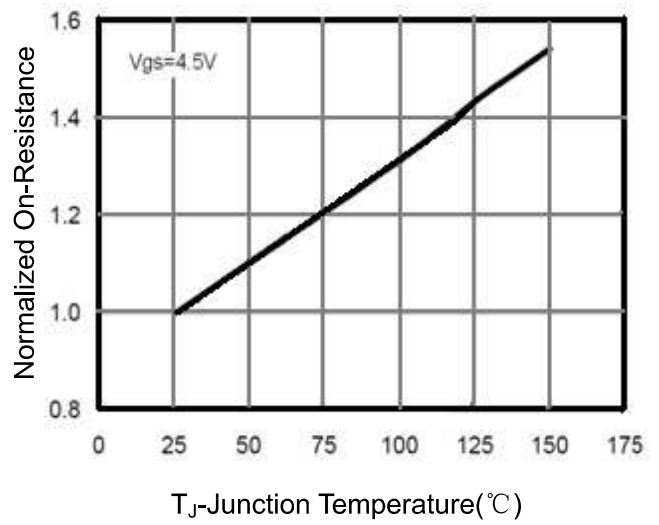


Figure 8 Drain-Source On-Resistance

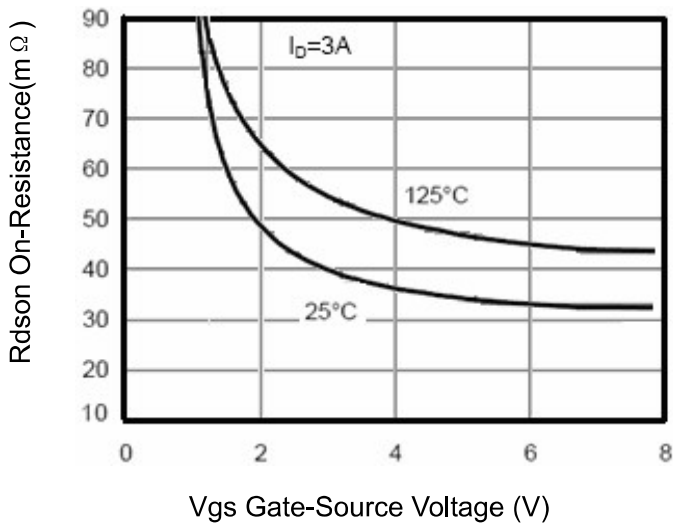


Figure 9 Rdson vs Vgs

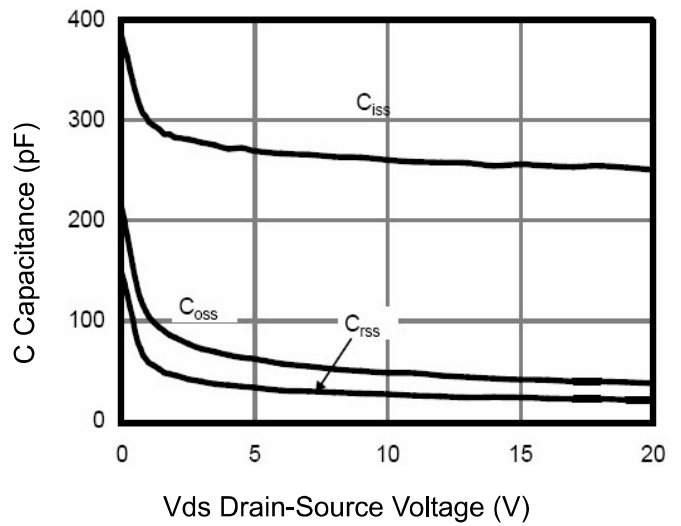


Figure 10 Capacitance vs Vds

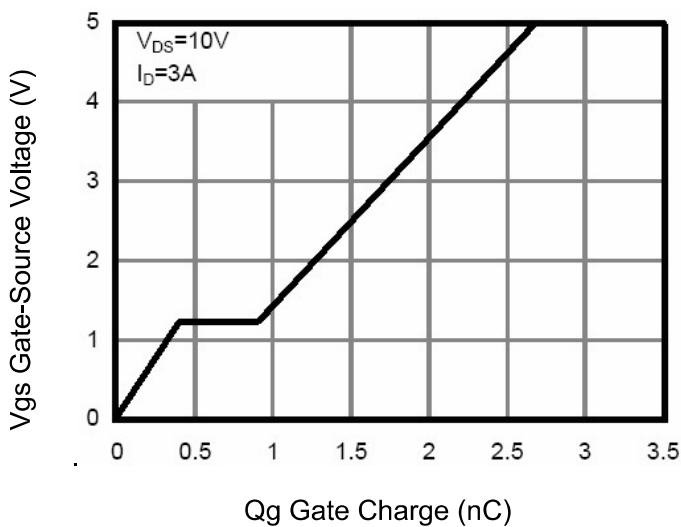


Figure 11 Gate Charge

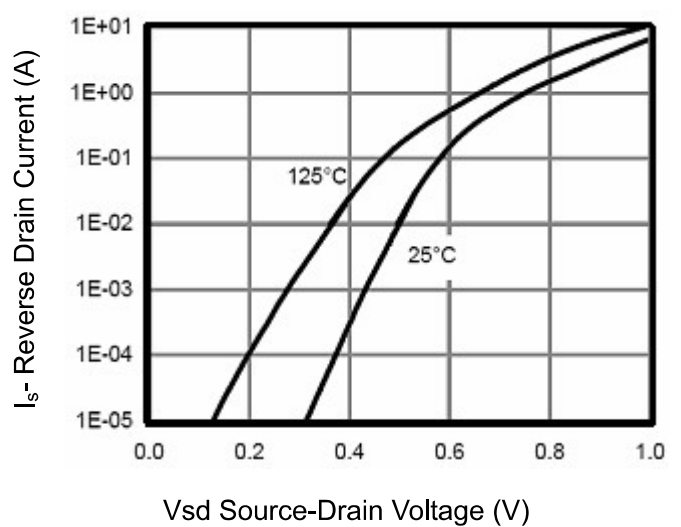


Figure 12 Source- Drain Diode Forward

AP4580

Full-bridge of MOSFET

P-Channel Electrical Characteristics ($T_A = 25^\circ\text{C}$ unless otherwise noted)						
Symbol	Parameter	Conditions	Min	Typ	Max	Units
Off Characteristics						
BV_{DSS}	Drain-Source Breakdown Voltage	$V_{GS} = 0V, I_D = -250\mu A$	-20			V
I_{DSS}	Zero Gate Voltage Drain Current	$V_{DS} = -20V, V_{GS} = 0V$			-1	μA
I_{GSS}	Gate-Body Leakage Current	$V_{GS} = \pm 10V, V_{DS} = 0V$			± 100	nA
On Characteristics						
$V_{GS(th)}$	Gate Threshold Voltage	$V_{DS} = V_{GS}, I_D = -250\mu A$	-0.45	0.7	-1.0	V
$R_{DS(ON)}$	Drain-Source On-State Resistance	$V_{GS} = -2.5V, I_D = -1.0A$		190	220	m Ω
		$V_{GS} = -4.5V, I_D = -1.8A$		128	146	m Ω
g_{FS}	Forward Transconductance	$V_{DS} = -5V, I_D = -1.0A$		15		S
Drain-Source Diode Characteristics						
V_{SD}	Diode Forward Voltage	$V_{GS} = 0V, I_S = -1.0A$			-1.2	V
I_S	Maximum Body-Diode Continuous Current				-1.8	A
Dynamic Characteristics						
C_{iss}	Input Capacitance	$V_{DS} = -10V, V_{GS} = 0V$ $f = 1.0\text{MHz}$		290		pF
C_{oss}	Output Capacitance			100		pF
C_{rss}	Reverse Transfer Capacitance			34		pF
Switching Characteristics						
Q_g	Total Gate Charge	$V_{DS} = -10V, I_D = -1.8A$ $V_{GS} = -6V$		3.0		nC
Q_{gs}	Gate-Source Charge			0.5		nC
Q_{gd}	Gate-Drain Charge			0.8		nC
$t_{D(ON)}$	Turn-On Delay Time	$V_{DD} = -10V, I_D = -1A$ $V_{GS} = -6V$ $R_{GEN} = 6\text{ohm}$		9.5		ns
t_r	Turn-On Rise Time			4.9		ns
$t_{D(OFF)}$	Turn-Off Delay Time			21.5		ns
t_f	Turn-Off Fall Time			10		ns

Notes:

1. Repetitive Rating: Pulse width limited by maximum junction temperature.
2. Surface Mounted on FR4 Board, $t \leq 10$ sec.
3. Pulse Test: Pulse Width $\leq 300\mu s$, Duty Cycle $\leq 2\%$.
4. Guaranteed by design, not subject to production

AP4580

Full-bridge of MOSFET

Typical Electrical and Thermal Characteristics

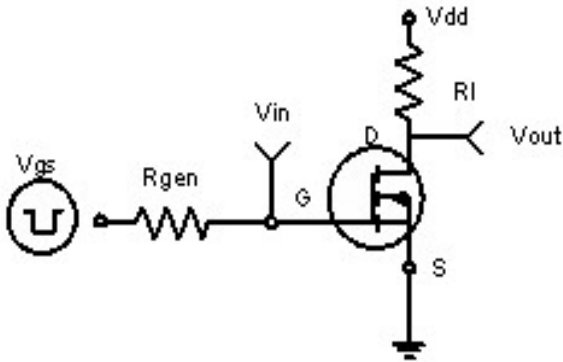


Figure 1: Switching Test Circuit

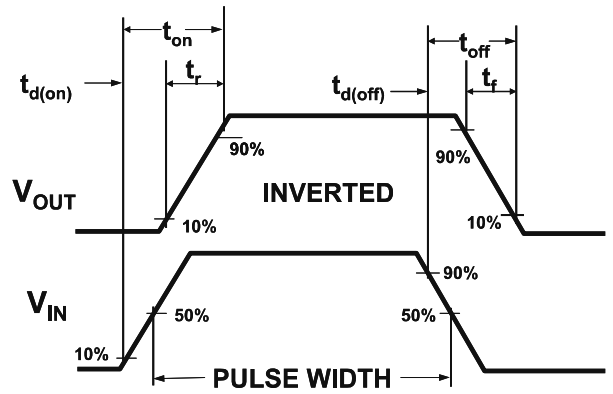


Figure 2: Switching Waveforms

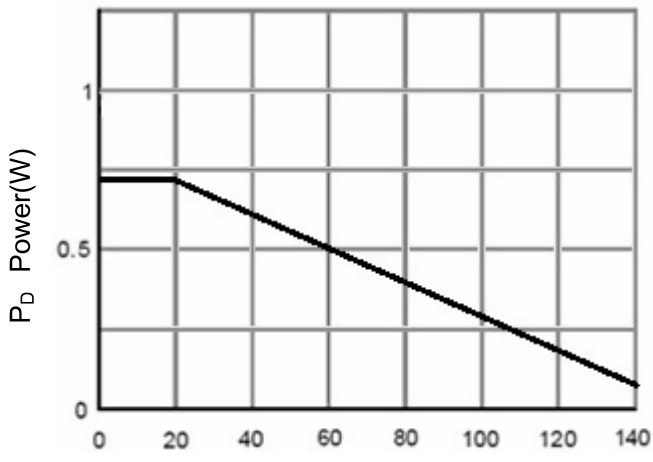


Figure 3 Power Dissipation

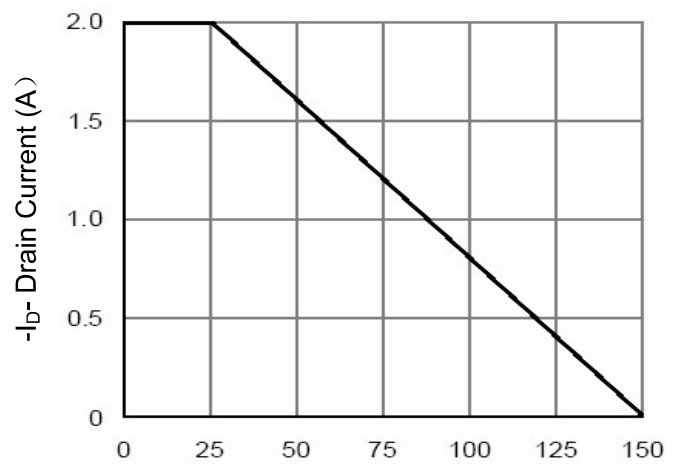


Figure 4 Drain Current

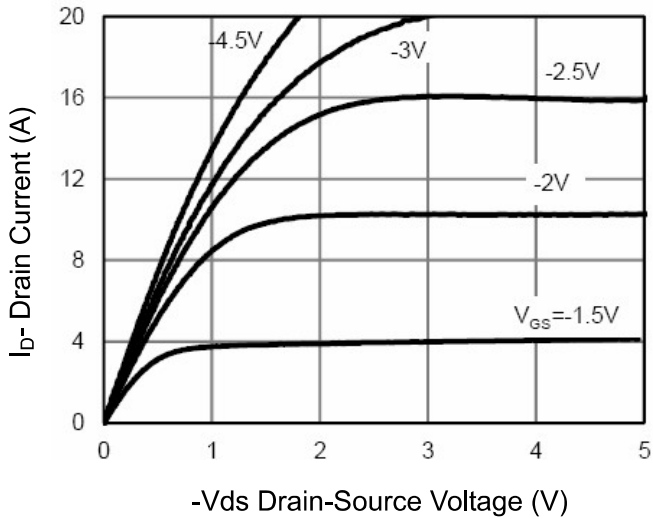


Figure 5 Output Characteristics

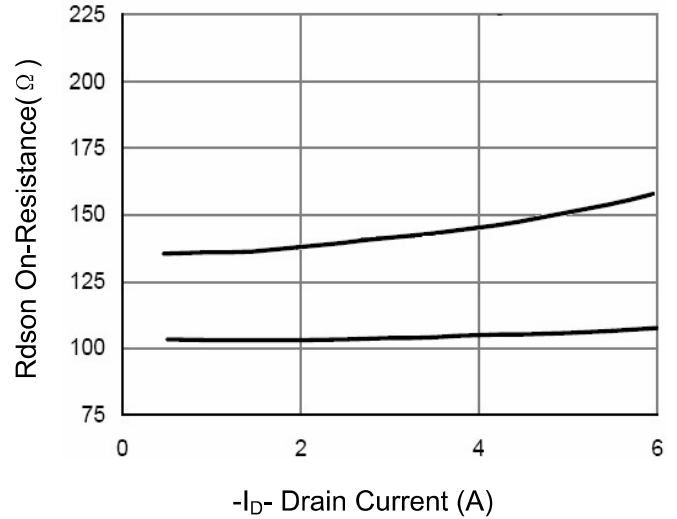


Figure 6 Drain-Source On-Resistance

AP4580

Full-bridge of MOSFET

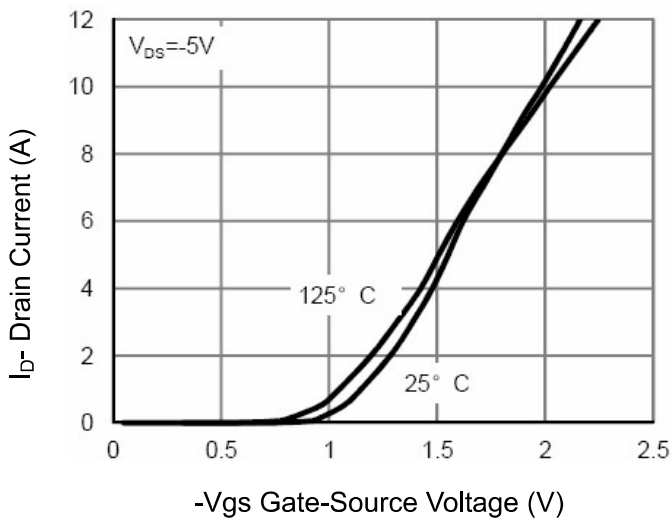


Figure 7 Transfer Characteristics

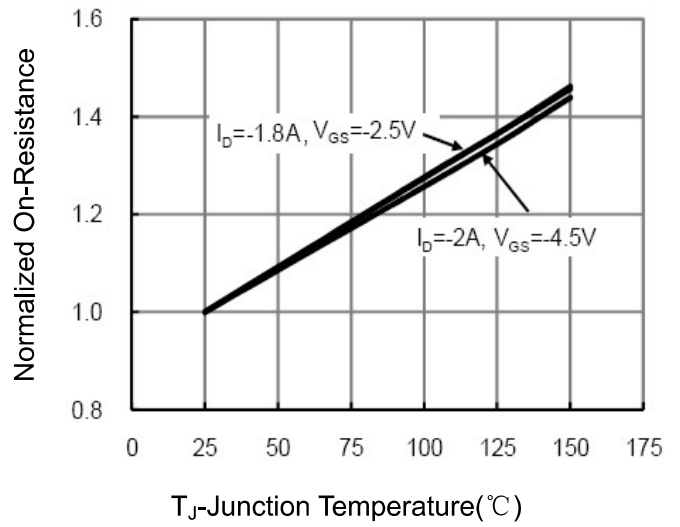


Figure 8 Drain-Source On-Resistance

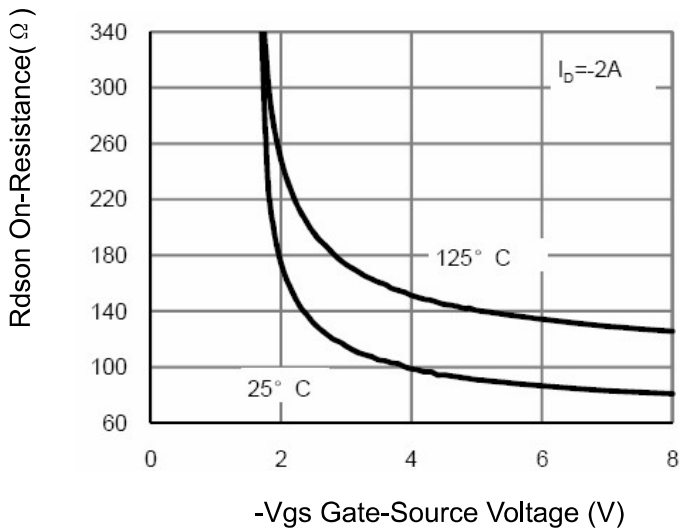


Figure 9 $R_{DS(on)}$ vs V_{GS}

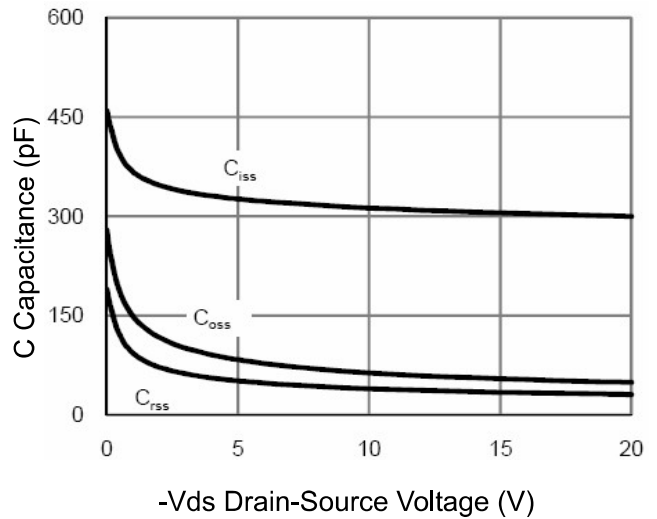


Figure 10 Capacitance vs V_{DS}

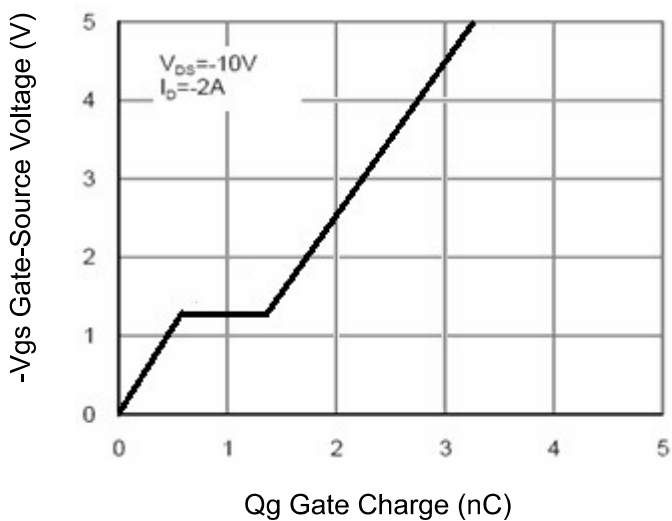


Figure 11 Gate Charge

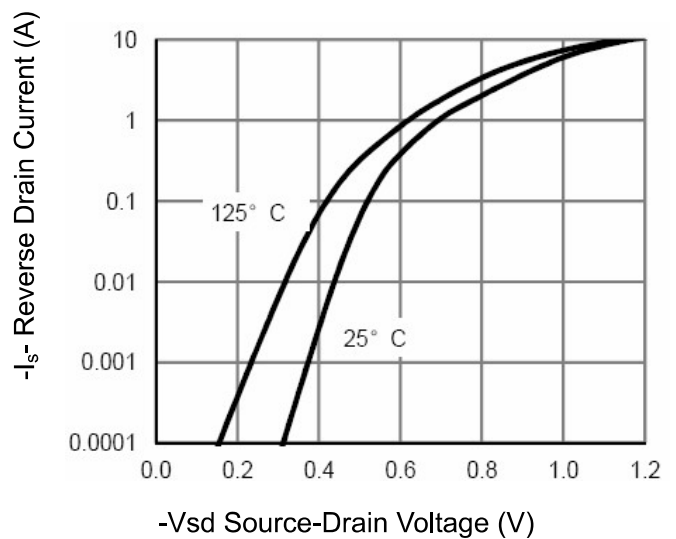
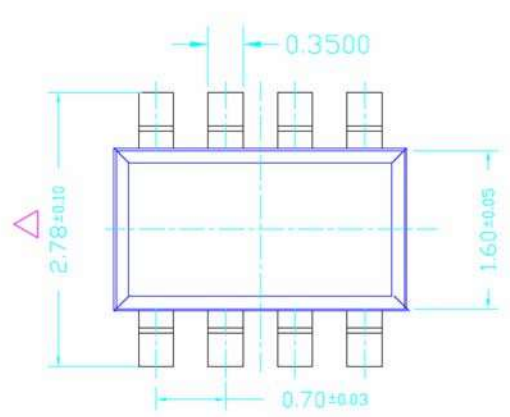
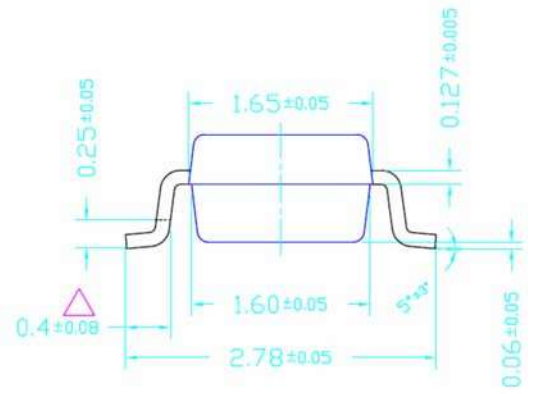
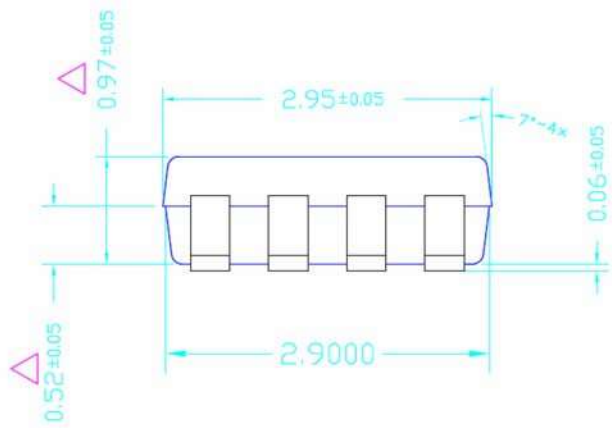


Figure 12 Source- Drain Diode Forward

AP4580

Full-bridge of MOSFET

SOT23-8L Package Outline



X-ON Electronics

Largest Supplier of Electrical and Electronic Components

Click to view similar products for [MOSFET](#) category:

Click to view products by [Quan Li](#) manufacturer:

Other Similar products are found below :

[614233C](#) [648584F](#) [MCH3443-TL-E](#) [MCH6422-TL-E](#) [FDPF9N50NZ](#) [NTNS3A92PZT5G](#) [IRFD120](#) [IRFF430](#) [JANTX2N5237](#) [2N7000](#)
[AOD464](#) [2SK2267\(Q\)](#) [2SK2545\(Q,T\)](#) [405094E](#) [423220D](#) [MIC4420CM-TR](#) [VN1206L](#) [614234A](#) [715780A](#) [SSM6J414TU,LF\(T](#) [751625C](#)
[IPS70R2K0CEAKMA1](#) [BSF024N03LT3 G](#) [PSMN4R2-30MLD](#) [TK31J60W5,S1VQ\(O](#) [2SK2614\(TE16L1,Q\)](#) [DMN1017UCP3-7](#)
[EFC2J004NUZTDG](#) [FCAB21350L1](#) [P85W28HP2F-7071](#) [DMN1053UCP4-7](#) [NTE2384](#) [NTE2969](#) [NTE6400A](#) [DMC2700UDMQ-7](#)
[DMN2080UCB4-7](#) [DMN61D9UWQ-13](#) [US6M2GTR](#) [DMN31D5UDJ-7](#) [SSM6P54TU,LF](#) [DMP22D4UFO-7B](#) [IPS60R3K4CEAKMA1](#)
[DMN1006UCA6-7](#) [DMN16M9UCA6-7](#) [STF5N65M6](#) [IRF40H233XTMA1](#) [IPSA70R950CEAKMA1](#) [IPSA70R2K0CEAKMA1](#) [STU5N65M6](#)
[C3M0021120D](#)