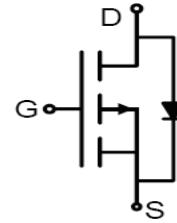


AP85P04G

P-Channel Enhancement Mosfet

Features

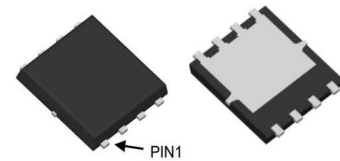
- -40V, -85A
 $R_{DS(ON)} < 5.3m\Omega @ V_{GS} = -10V$ TYP:4.3m Ω
 $R_{DS(ON)} < 7.6m\Omega @ V_{GS} = -4.5V$ TYP:5.9m Ω
- Advanced Trench Technology
- High Power and current handing capability
- Lead free product is acquired



Schematic Diagram

Applications

- Load Switch
- PWM Application
- Power management



PDFN5X6

Package Marking and Ordering Information

Device Marking	Device	Device Package	Reel Size	Tape width	Quantity (PCS)
85P04G	AP85P04G	PDFN5X6	13inch	-	5000

ABSOLUTE MAXIMUM RATINGS ($T_a = 25^\circ\text{C}$ unless otherwise noted)

Parameter	Symbol	Value	Unit
Drain-Source Voltage	V_{DS}	-40	V
Gate-Source Voltage	V_{GS}	± 20	V
Continuous Drain Current ($T_c = 25^\circ\text{C}$)	I_D	-85	A
Continuous Drain Current ($T_c = 100^\circ\text{C}$)	I_D	-60	A
Pulsed Drain Current ⁽¹⁾	I_{DM}	-340	A
Single Pulsed Avalanche Energy ⁽²⁾	E_{AS}	576	mJ
Drain Power Dissipation	P_D	70	W
Thermal Resistance from Junction to Case ⁽²⁾	$R_{\theta JC}$	2.15	$^\circ\text{C}/\text{W}$
Thermal Resistance from Junction to Ambient	$R_{\theta JA}$	60	$^\circ\text{C}/\text{W}$
Junction Temperature	T_J	150	$^\circ\text{C}$
Storage Temperature	T_{STG}	-55~ +150	$^\circ\text{C}$

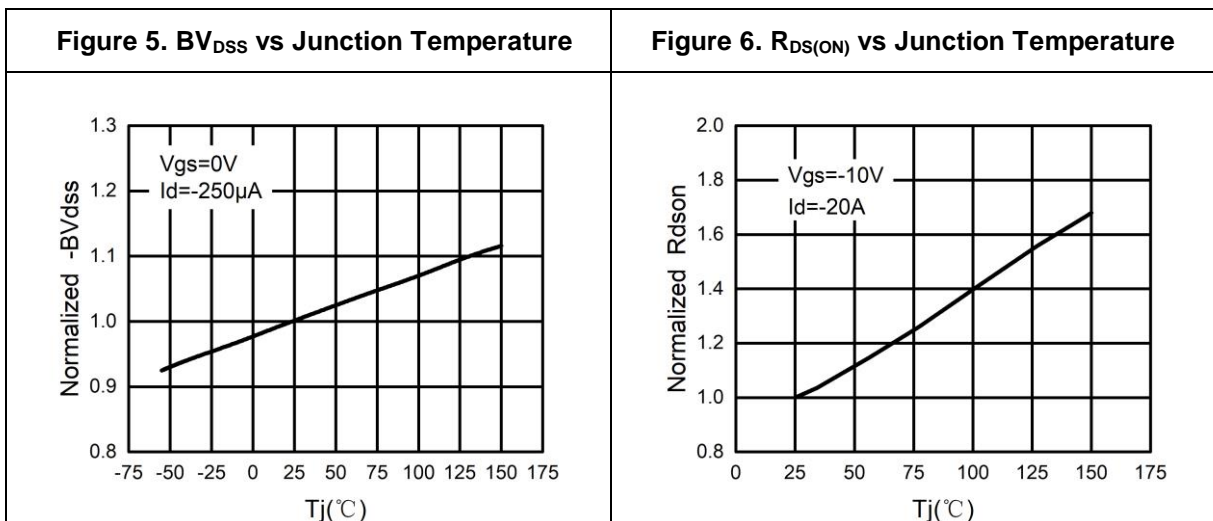
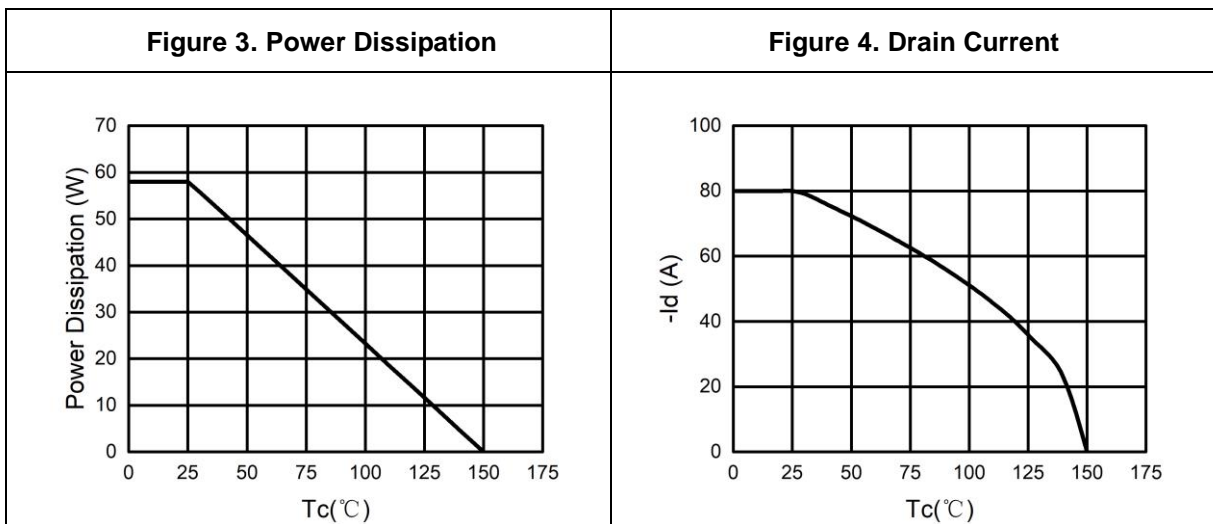
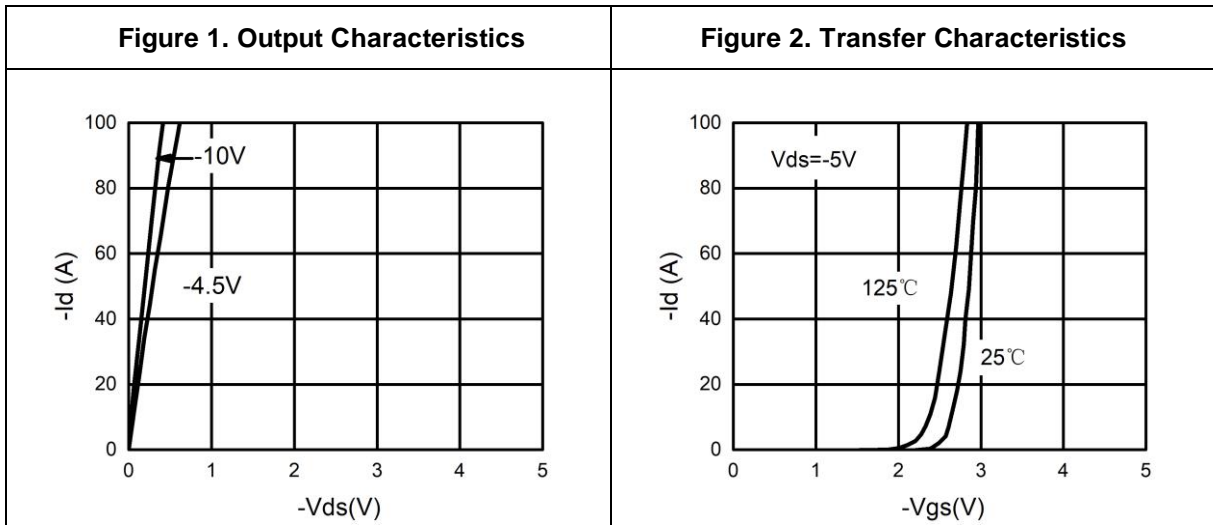
MOSFET ELECTRICAL CHARACTERISTICS(T_a=25°C unless otherwise noted)

Parameter	Symbol	Test Condition	Min	Type	Max	Unit
Static Characteristics						
Drain-source breakdown voltage	V _{(BR)DSS}	V _{GS} = 0V, I _D = -250μA	-40	-	-	V
Zero gate voltage drain current	I _{DSS}	V _{DS} = -40V, V _{GS} = 0V	-	-	-1	μA
Gate-body leakage current	I _{GSS}	V _{GS} = ±20V, V _{DS} = 0V	-	-	±100	nA
Gate threshold voltage	V _{GS(th)}	V _{DS} = V _{GS} , I _D = -250μA	-1.0	-1.7	-2.5	V
Drain-source on-resistance ⁽³⁾	R _{DS(on)}	V _{GS} = -10V, I _D = -20A	-	4.3	5.3	mΩ
		V _{GS} = -4.5V, I _D = -20A		5.9	7.6	mΩ
Dynamic characteristics						
Input Capacitance	C _{iSS}	V _{DS} = -20V, V _{GS} = 0V, f = 1.0MHz	-	6638	-	pF
Output Capacitance	C _{oss}		-	545	-	
Reverse Transfer Capacitance	C _{rSS}		-	345	-	
Gate resistance	R _g	V _{DS} = 0V, V _{GS} = 0V, f = 1.0MHz		2.2		Ω
Switching characteristics						
Turn-on delay time	t _{d(on)}	V _{DS} = -20V, I _D = -20A, R _G = 3Ω, V _G = -10V	-	16	-	ns
Turn-on rise time	t _r		-	17	-	
Turn-off delay time	t _{d(off)}		-	68	-	
Turn-off fall time	t _f		-	31	-	
Total Gate Charge	Q _g	V _{DS} = -20V, I _D = -20A, V _{GS} = -10V	-	118	-	nC
Gate-Source Charge	Q _{gs}		-	13	-	
Gate-Drain Charge	Q _{gd}		-	22	-	
Source-Drain Diode characteristics						
Diode Forward voltage ^(a)	V _{SD}	T _J = 25°C, V _{GS} = 0V, I _S = -20A	-	-	-1.2	V
Diode Forward current	I _S	T _C = 25°C	-	-	-85	A
Body Diode Reverse Recovery Time	t _{rr}	T _J = 25°C, I _F = -20A, di/dt = 100A/us		24		ns
Body Diode Reverse Recovery Charge	Q _{rr}	T _J = 25°C, I _F = -20A, di/dt = 100A/us		140		nc

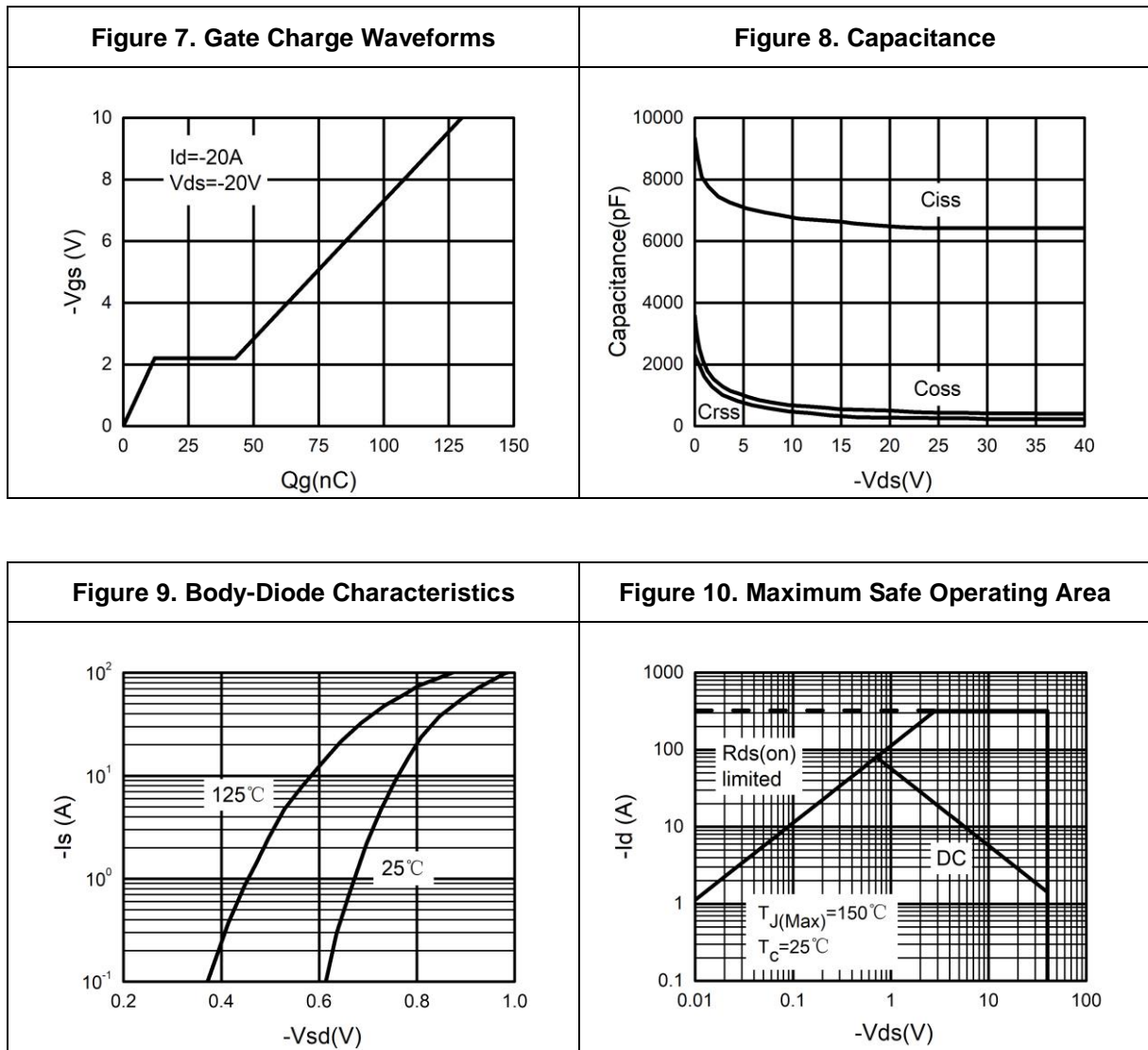
Notes:

- a) Repetitive Rating: Pulse Width Limited by Maximum Junction Temperature
- b) EAS condition: T_J = 25°C, V_{DD} = -15V, V_G = -10V, R_G = 25Ω, L = 0.5mH
- c) Pulse Test: Pulse Width ≤ 300μs, Duty Cycle ≤ 0.5%

Typical Electrical And Thermal Characteristics (Curves)

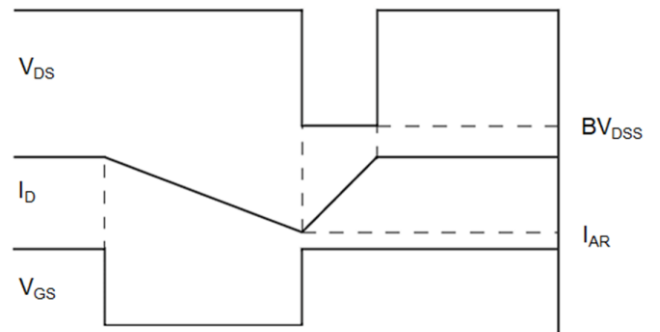
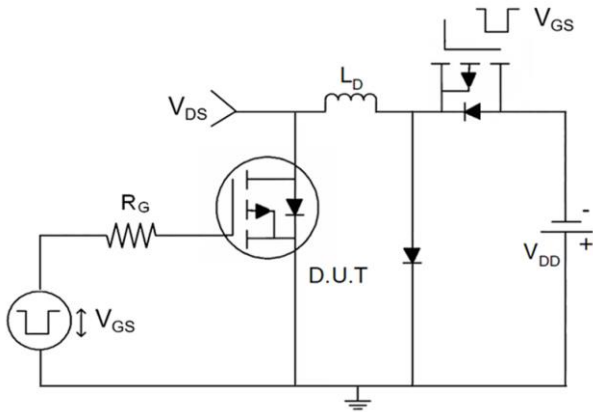


Typical Electrical And Thermal Characteristics (Curves)

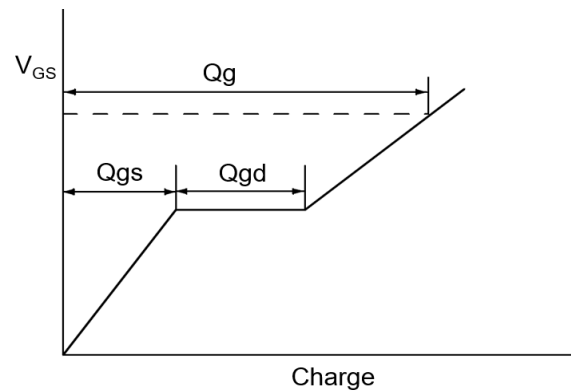
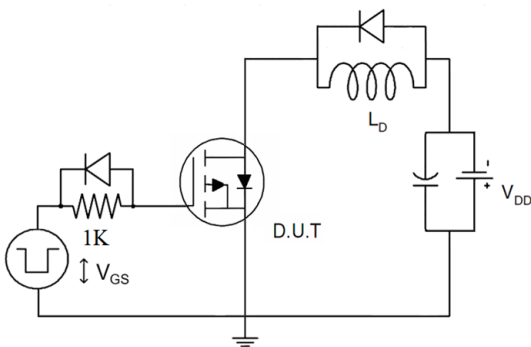


Test Circuit

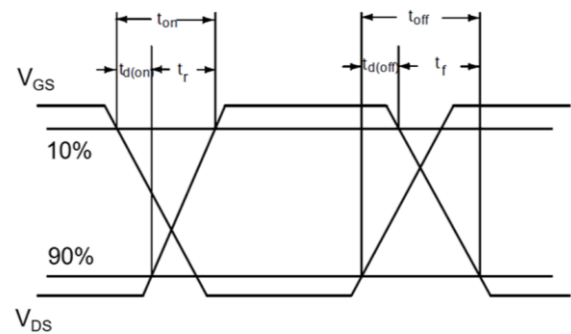
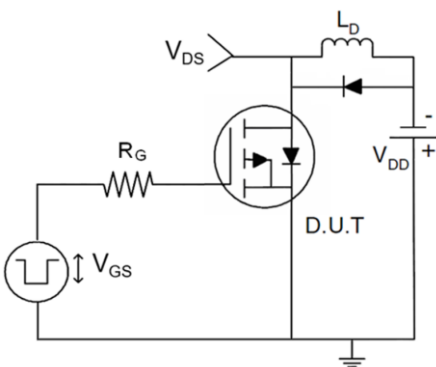
1) E_{AS} Test Circuits



2) Gate Charge Test Circuit

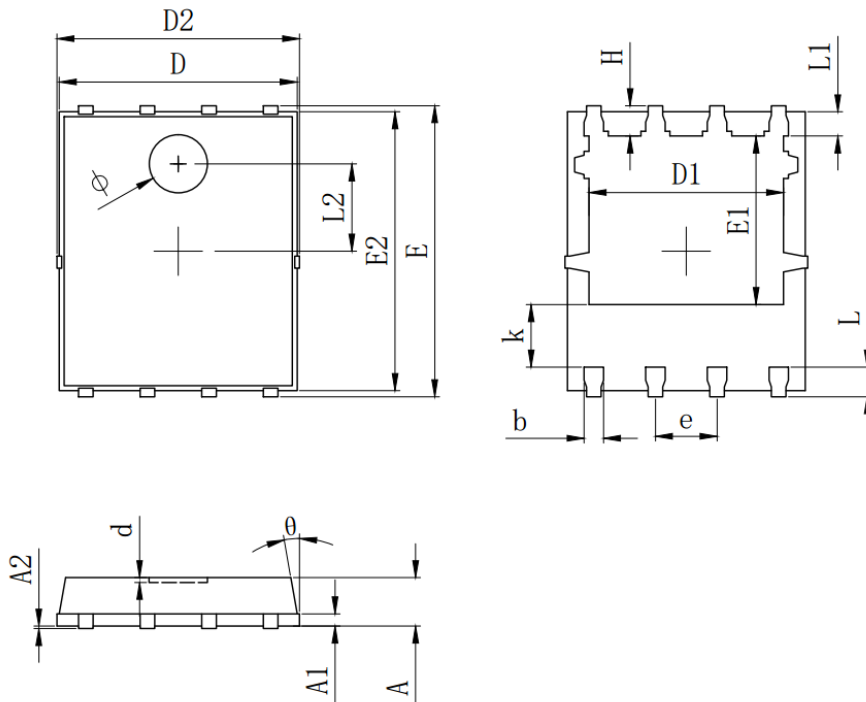


3) Switch Time Test Circuit



AP85P04G
P-Channel Enhancement Mosfet

PDFN5X6 Package Information



SYMBOL	MILLIMETER		
	MIN	Typ.	MAX
A	0.900	1.000	1.100
A1	0.254 REF.		
A2	0°0.05		
D	4.824	4.900	4.976
D1	3.910	4.010	4.110
D2	4.924	5.000	5.076
E	5.924	6.000	6.076
E1	3.375	3.475	3.575
E2	5.674	5.750	5.826
b	0.350	0.400	0.450
e	1.270 TYP.		
L	0.534	0.610	0.686
L1	0.424	0.500	0.576
L2	1.800 REF.		
k	1.190	1.290	1.390
H	0.549	0.625	0.701
θ	8°	10°	12°
Φ	1.100	1.200	1.300
d			0.100

X-ON Electronics

Largest Supplier of Electrical and Electronic Components

Click to view similar products for [MOSFET](#) category:

Click to view products by [Quan Li](#) manufacturer:

Other Similar products are found below :

[IRFD120](#) [JANTX2N5237](#) [2SK2267\(Q\)](#) [BUK455-60A/B](#) [TK100A10N1,S4X\(S](#) [MIC4420CM-TR](#) [VN1206L](#) [NDP4060](#) [SI4482DY](#)
[IRS2092STRPBF-EL](#) [IPS70R2K0CEAKMA1](#) [TK31J60W5,S1VQ\(O](#) [TK31J60W,S1VQ\(O](#) [TK16J60W,S1VQ\(O](#) [2SK2614\(TE16L1,Q\)](#)
[DMN1017UCP3-7](#) [EFC2J004NUZTDG](#) [P85W28HP2F-7071](#) [NTE2384](#) [DMC2700UDMQ-7](#) [DMN2080UCB4-7](#) [DMN61D9UWQ-13](#)
[US6M2GTR](#) [DMN31D5UDJ-7](#) [DMP22D4UFO-7B](#) [IPS60R3K4CEAKMA1](#) [DMN1006UCA6-7](#) [DMN16M9UCA6-7](#) [STF5N65M6](#)
[IRF40H233XTMA1](#) [STU5N65M6](#) [DMN6022SSD-13](#) [DMN13M9UCA6-7](#) [DMTH10H4M6SPS-13](#) [IPS60R360PFD7SAKMA1](#)
[DMN2990UFB-7B](#) [SSM3K35CT,L3F](#) [IPLK60R1K0PFD7ATMA1](#) [2N7002W-G](#) [MCAC30N06Y-TP](#) [IPWS65R035CFD7AXKSA1](#)
[MCQ7328-TP](#) [SSM3J143TU,LXHF](#) [DMN12M3UCA6-7](#) [PJMF280N65E1_T0_00201](#) [PJMF380N65E1_T0_00201](#)
[PJMF280N60E1_T0_00201](#) [PJMF600N65E1_T0_00201](#) [PJMF900N65E1_T0_00201](#) [PJMF900N60E1_T0_00201](#)