

Antenna

YC0008AA Datasheet

Antenna Services

Version: 1.0

Date: 2020-12-15

Status: Released



Our aim is to provide customers with timely and comprehensive service. For any assistance, please contact our company headquarters:

Quectel Wireless Solutions Co., Ltd.

Building 5, Shanghai Business Park Phase III (Area B), No.1016 Tianlin Road, Minhang District, Shanghai 200233, China

Tel: +86 21 5108 6236

Email: info@quectel.com

Or our local office. For more information, please visit:

<http://www.quectel.com/support/sales.htm>.

For technical support, or to report documentation errors, please visit:

<http://www.quectel.com/support/technical.htm>

Or email to support@quectel.com.

General Notes

Quectel offers the information as a service to its customers. The information provided is based upon customers' requirements. Quectel makes every effort to ensure the quality of the information it makes available. Quectel does not make any warranty as to the information contained herein, and does not accept any liability for any injury, loss or damage of any kind incurred by use of or reliance upon the information. All information supplied herein is subject to change without prior notice.

Disclaimer

While Quectel has made efforts to ensure that the functions and features under development are free from errors, it is possible that these functions and features could contain errors, inaccuracies and omissions. Unless otherwise provided by valid agreement, Quectel makes no warranties of any kind, implied or express, with respect to the use of features and functions under development. To the maximum extent permitted by law, Quectel excludes all liability for any loss or damage suffered in connection with the use of the functions and features under development, regardless of whether such loss or damage may have been foreseeable.

Duty of Confidentiality

The Receiving Party shall keep confidential all documentation and information provided by Quectel, except when the specific permission has been granted by Quectel. The Receiving Party shall not access or use Quectel's documentation and information for any purpose except as expressly provided herein. Furthermore, the Receiving Party shall not disclose any of the Quectel's documentation and information to any third party without the prior written consent by Quectel. For any noncompliance to the above requirements, unauthorized use, or other illegal or malicious use of the documentation and information, Quectel will reserve the right to take legal action.

Copyright

The information contained here is proprietary technical information of Quectel. Transmitting, reproducing, disseminating and editing this document as well as using the content without permission are forbidden. Offenders will be held liable for payment of damages. All rights are reserved in the event of a patent grant or registration of a utility model or design.

Copyright © Quectel Wireless Solutions Co., Ltd. 2020. All rights reserved.

About the Document

Revision History

Version	Date	Author	Note
-	2020-12-15	Kenny YIN	Creation of the document
1.0	2020-12-15	Kenny YIN	First official release

Contents

About the Document.....	3
Contents.....	4
1 Product Description.....	5
2 Product Features	5
3 Product Specifications.....	6
4 Overall Performance.....	7
4.1. Test Environment	7
4.2. VSWR.....	8
4.3. Efficiency	9
4.4. Gain.....	10
4.5. Radiation Patterns.....	11
4.6. Schematic symbol and Pin definition	12
4.7. Transmission Line	12
4.8. Reference PCB Design.....	13
5 Product Size	14
6 Reflow Profile	15
7 Package.....	16

1 Product Description

The antenna is designed for superior performance, and can be widely used for wireless applications.

We provide comprehensive antenna design support such as simulation, testing and manufacturing for custom antenna solutions to meet your specific application needs.

2 Product Features

- GNSS
- High efficiency
- Excellent performance



3 Product Specifications

Passive Electrical Specifications

Frequency Range	1173 MHz, 1575 MHz
Input Impedence	50 Ω
VSWR	≤ 2.5
Gain	≤ 2 dBi
Polarization Type	Linear

Mechanical Specifications

Antenna Size	30 (L) \times 5 (W) \times 5 (H) mm
Carrier	XHP-1002
Connector Type	SMD
Working Temperature	-45 $^{\circ}$ C to +80 $^{\circ}$ C
Radome Color	Black

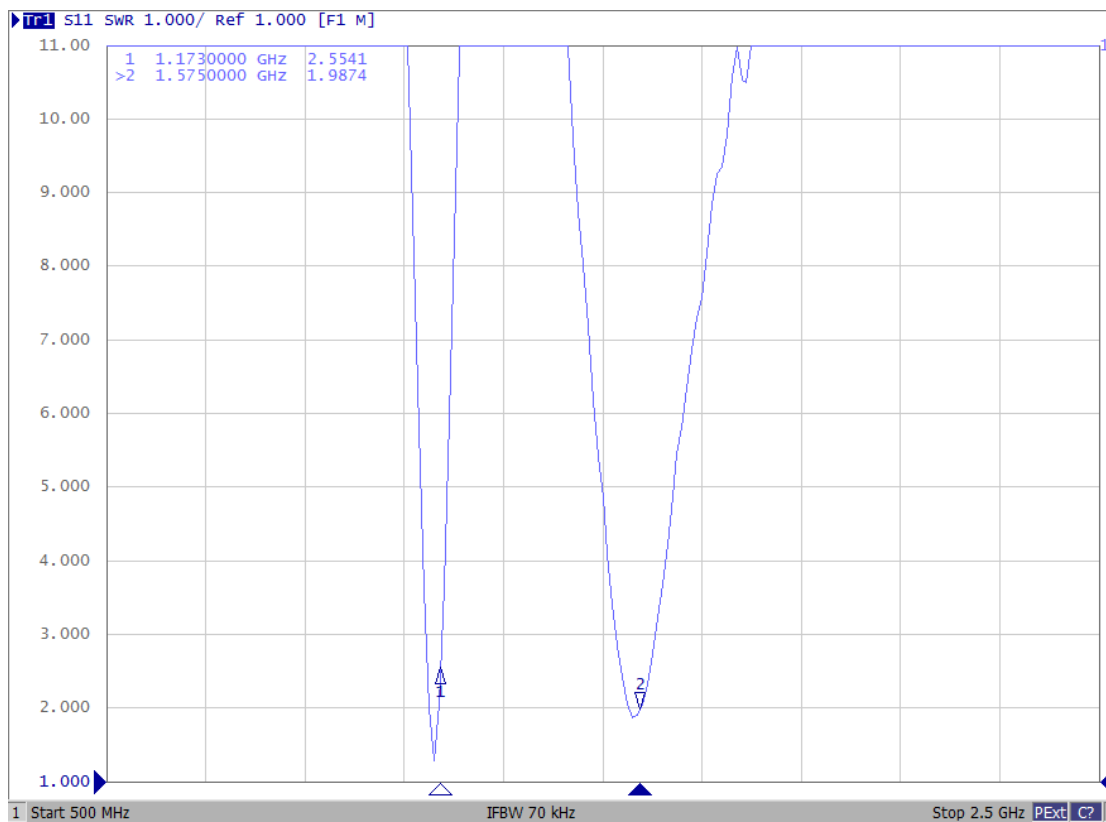
4 Overall Performance

4.1. Test Environment

- KEYSIGHT VNA Network Analyzer E5063A 100KHz-6.5GHz
- RayZone®2800 Chamber 5G(FR1) SISO/MIMO, 400MHz-6.0GHz

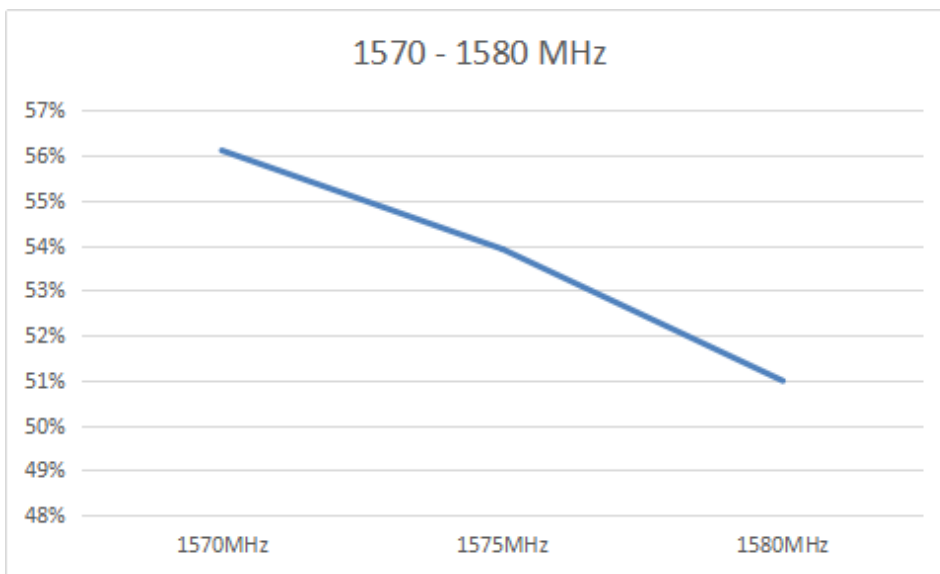
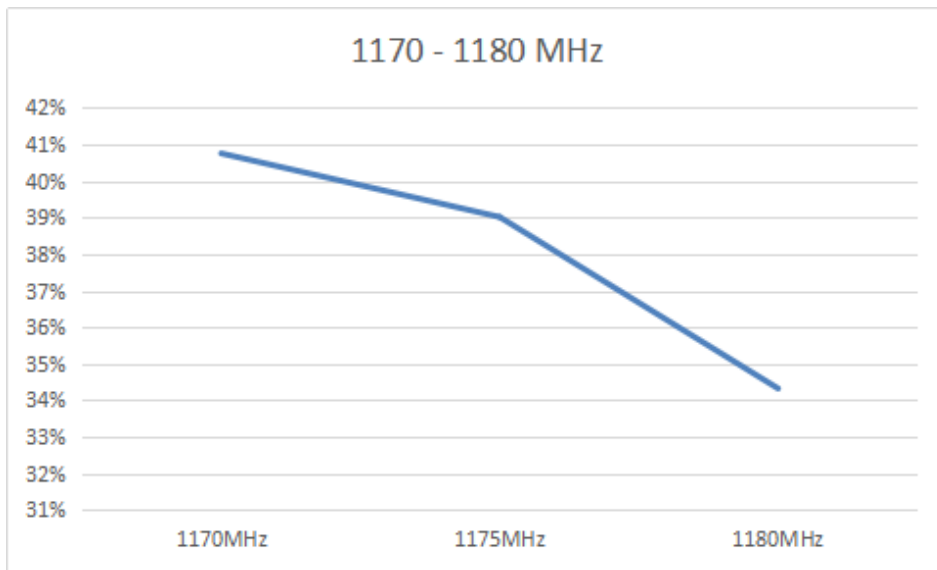


4.2. VSWR



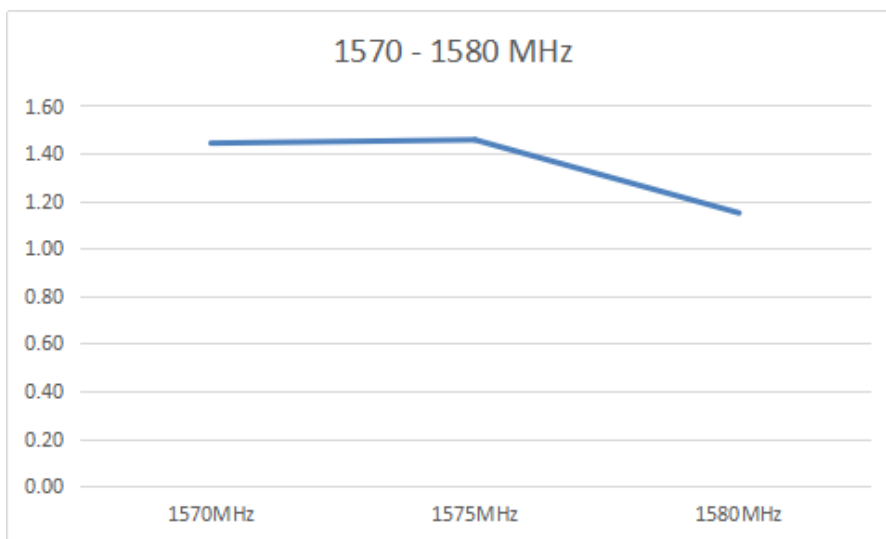
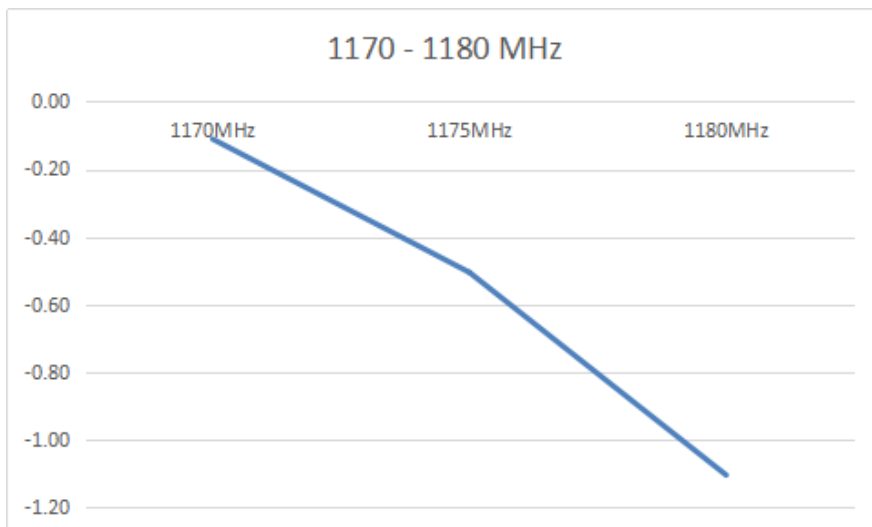
Frequency (MHz)	1173	1575
VSWR	2.5	1.9

4.3. Efficiency



Frequency (MHz)	1170	1175	1180	1570	1575	1580
Efficiency (%)	41%	39%	34%	56%	54%	51%

4.4. Gain



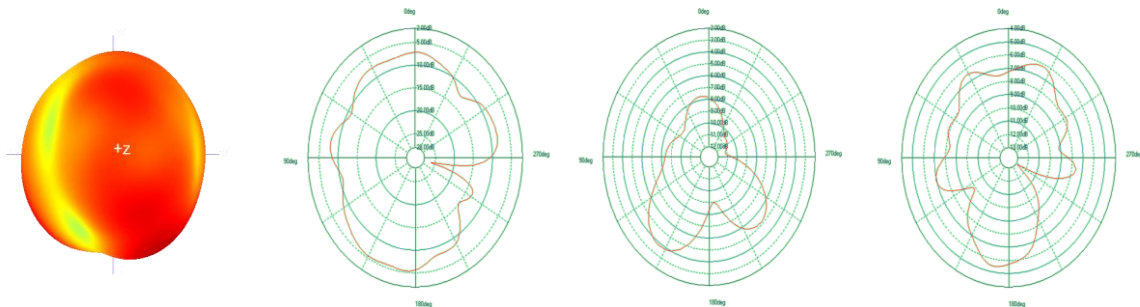
Frequency (MHz)	1170	1175	1180	1570	1575	1580
Gain (dBi)	-0.11	-0.51	-1.11	1.44	1.46	1.15

4.5. Radiation Patterns

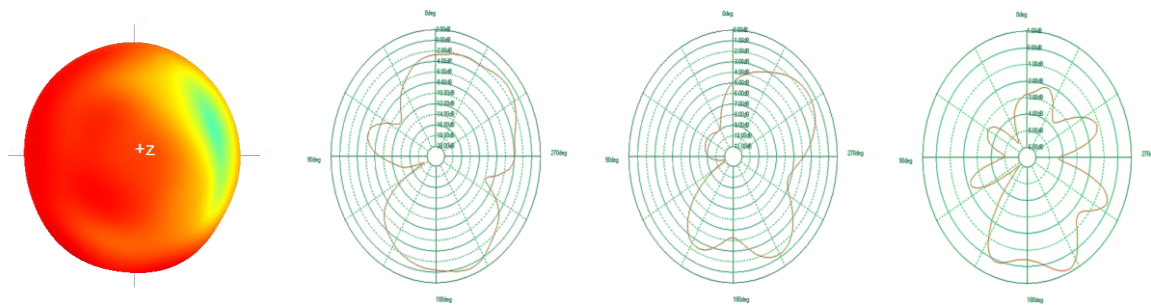
Board length 80 mm



1173MHz

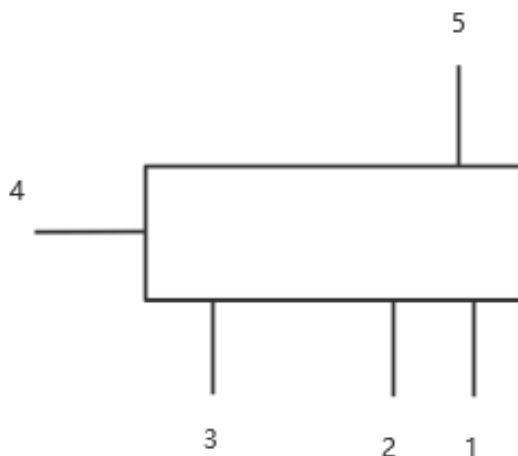


1575MHz



4.6. Schematic symbol and Pin definition

The pin assignment for the antenna are as follows. The antenna has 6 pins and only two work. All other pins are designed for mechanical strength.



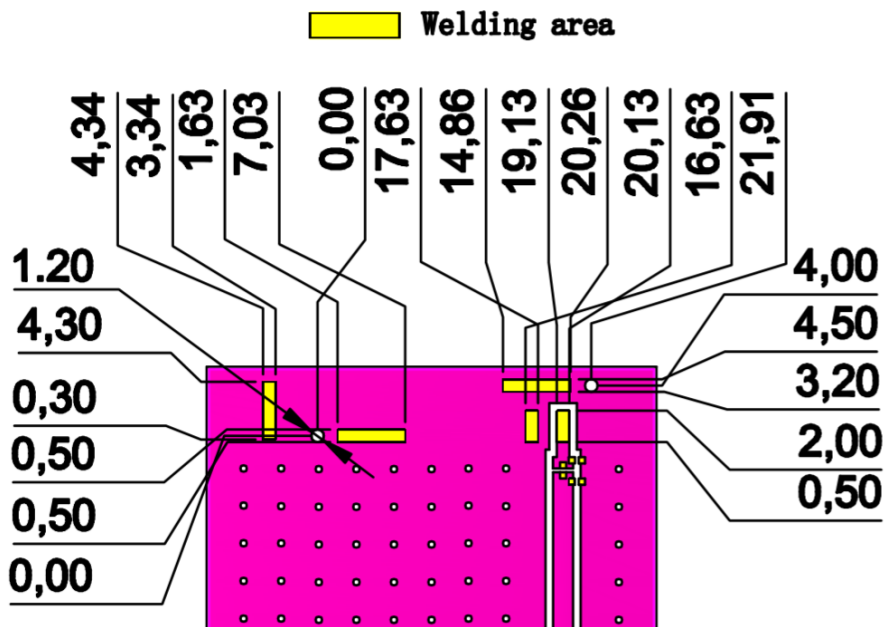
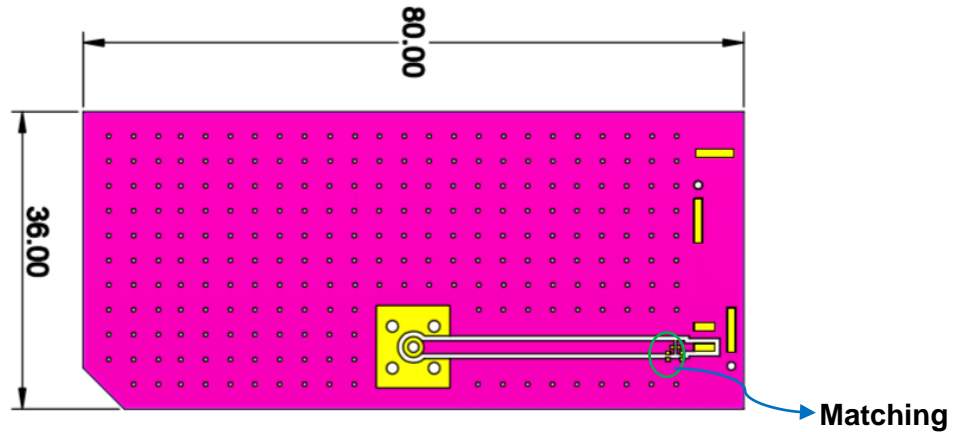
Pin No.	Description
1	Feed
2	Return/GND
3、4、5	Not used (Mechanical only)

4.7. Transmission Line

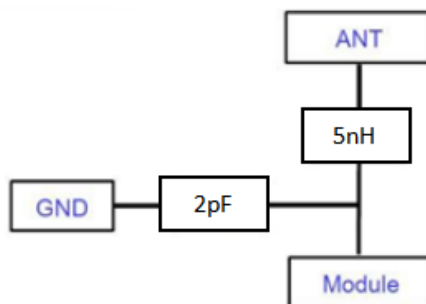
The characteristic impedance of all transmission lines shall be designed as 50 Ω .

- The length of the transmission lines should be kept to as short as possible
- Any other part of the RF system, such as transceiver, power amplifiers, etc., shall also be designed with an impedance of 50 Ω

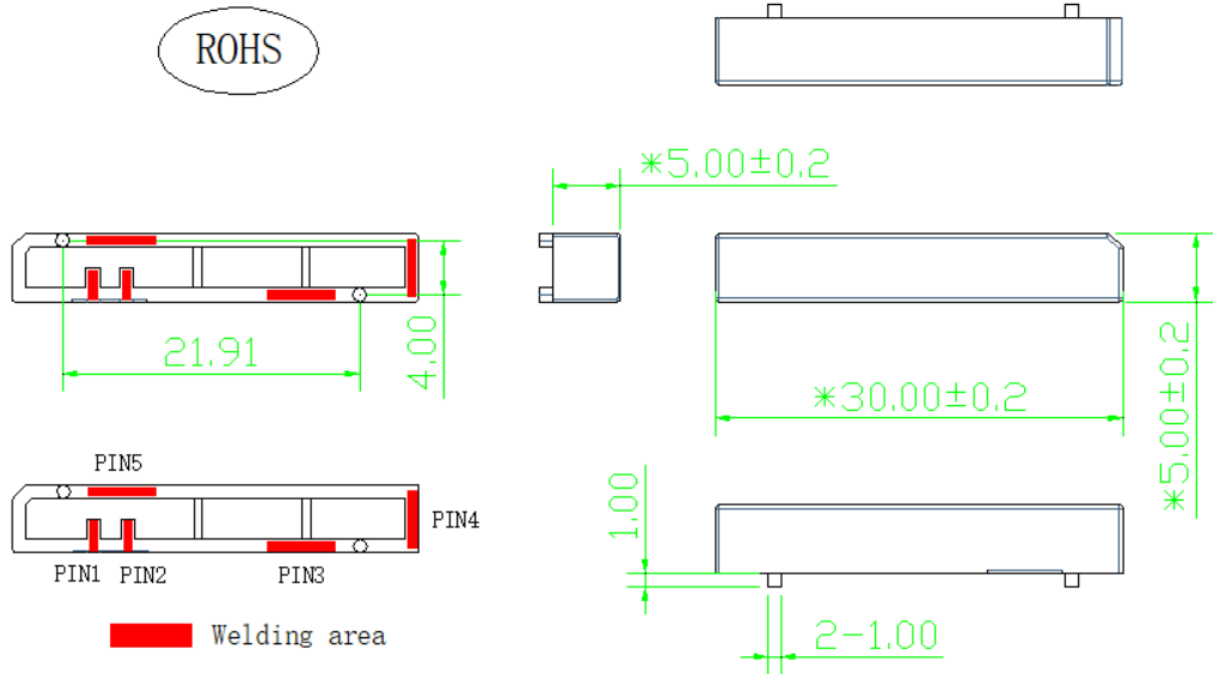
4.8. Reference PCB Design



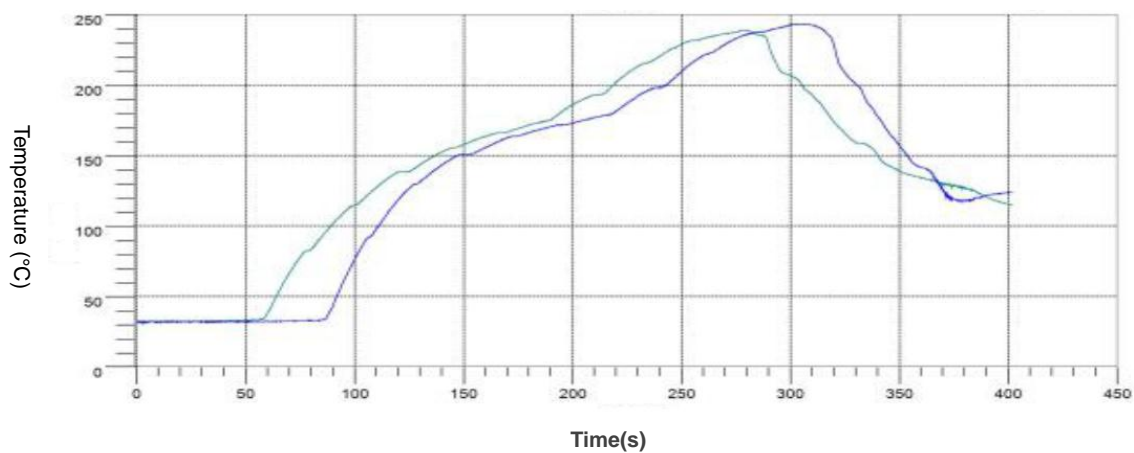
Matching circuit



5 Product Size



6 Reflow Profile

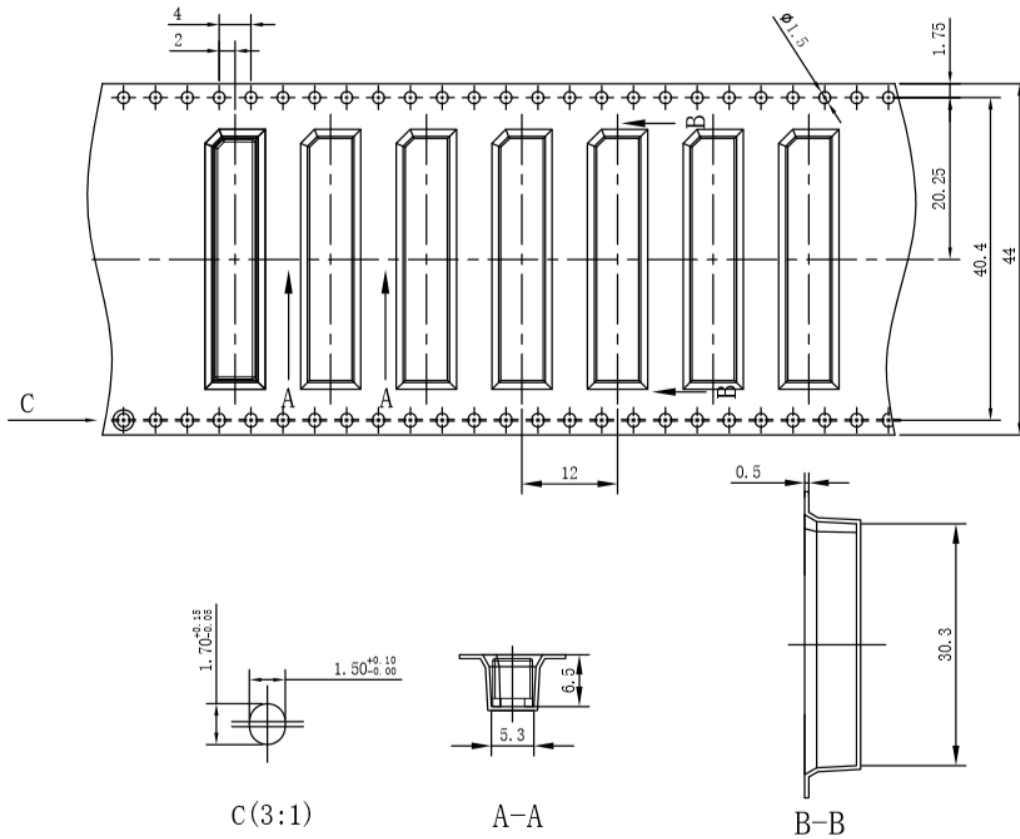


No	Probe name	150-190°C		>220°C	peak temperature°C
		60-110s	slope 0.0-3.0	40-90s	230-250°C
No.1	J1	67.9	0.59	52.4	239
No.2	J2	80.6	0.5	62.3	243.4

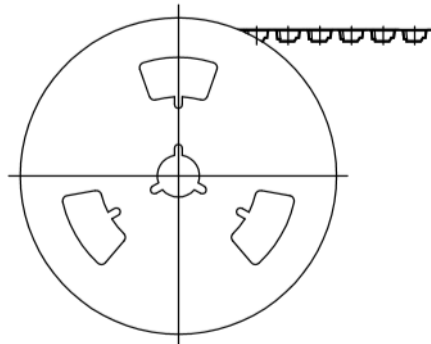
furnace parameter	1	2	3	4	5	6	7	8	9	10	11	12
Up Temperature zone	175.0	185.0	185.0	185.0	190.0	195.0	230.0	275.0	275.0	275.0		
Down Temperature zone	175.0	185.0	185.0	185.0	190.0	195.0	230.0	275.0	275.0	275.0		
Temperature zone length	0	0	0	0	0	0	0	0	0	0	0	0

7 Package

- Quantity/Reel: 800 pcs/reel
- Carrier tape dimensions



- Taping reel dimensions



330*100*44

X-ON Electronics

Largest Supplier of Electrical and Electronic Components

Click to view similar products for [Antennas](#) category:

Click to view products by [Quectel Wireless](#) manufacturer:

Other Similar products are found below :

[GAN30084EU](#) [930-033-R](#) [GW17.07.0250E](#) [1513563-1](#) [EXE902SM](#) [APAMPG-117](#) [MAF94383](#) [W3908B0100](#) [W6102B0100](#) [YE572113-30RSMM](#) [108-00014-50](#) [66089-2406](#) [A09-F8NF-M](#) [A09-F5NF-M](#) [RGFRA1903041A1T](#) [W3593B0100](#) [W3921B0100](#) [SIMNA-868](#) [SIMNA-915](#) [SIMNA-433](#) [W1044](#) [W1049B090](#) [WTL2449CQ1-FRSMM](#) [CPL9C](#) [EXB148BN](#) [0600-00060](#) [TRA9020S3PBN-001](#) [GD5W-28P-NF](#) [MA9-7N](#) [GD53-25](#) [GD5W-21P-NF](#) [EXB144SM](#) [C37](#) [MAF94051](#) [GD35-17P-NF](#) [P1744](#) [MA9-5N](#) [EXD420PL](#) [B1322NR](#) [QWFTB120](#) [MAF94271](#) [MAF94300](#) [GPSMB301](#) [FG4403](#) [AO-AGSM-OM54](#) [5200232](#) [MIKROE-2349](#) [WCM.01.0111](#) [MIKROE-2393](#) [MIKROE-2352](#)