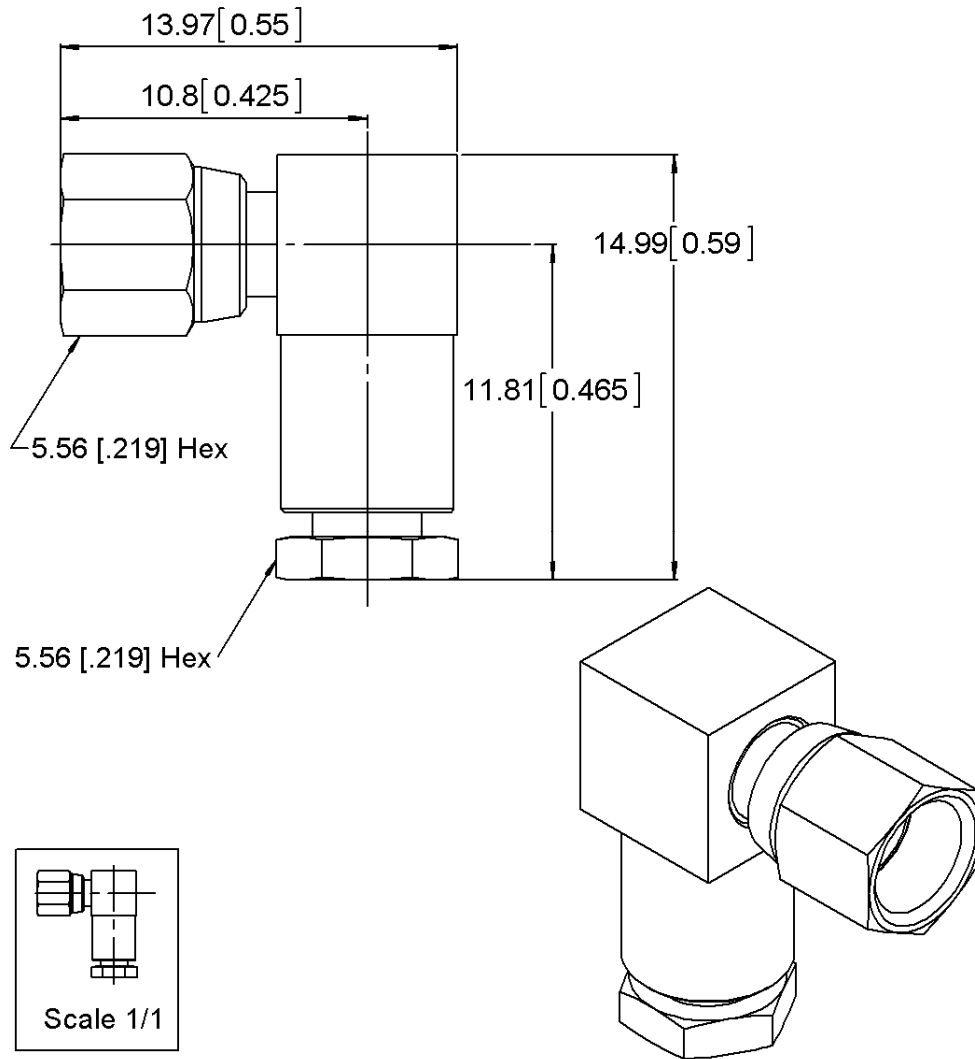
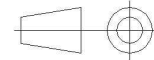


PAGE 1/2	ISSUE 01-06-15A	SERIES SMC	PART NUMBER 1005-1551-019
----------	-----------------	------------	---------------------------



All dimensions are in mm.



COMPONENTS	MATERIALS	PLATING (µm)
Body	BRASS	GOLD OVER NICKEL
Center contact	BERYLLIUM COPPER	GOLD OVER NICKEL
Outer contact		
Insulator	PTFE	
Gasket		
Others parts	BRASS	GOLD OVER NICKEL
-	-	-
-	-	-

PAGE 2/2	ISSUE 01-06-15A	SERIES SMC	PART NUMBER 1005-1551-019
----------	------------------------	-------------------	----------------------------------

PACKAGING

Standard 100	Unit Contact us	Other Contact us
------------------------	---------------------------	----------------------------

ELECTRICAL CHARACTERISTICS

Impedance	50	Ω
Frequency	0-10	GHz
VSWR	1.30 + 0.4000	x F(GHz) Maxi
Insertion loss	.25	√F(GHz) dB Maxi
RF leakage	- (-60)	- F(GHz) dB Maxi
Voltage rating	335	Veff Maxi
Dielectric withstanding voltage	1000	Veff mini
Insulation resistance	1000	MΩ mini

MECHANICAL CHARACTERISTICS

Center contact retention			
Axial force – Mating End	17.7	N mini	
Axial force – Opposite end	17.7	N mini	
Torque			N.cm mini
Recommended torque			
Mating	NA	N.cm	
Panel nut	NA	N.cm	
Clamp nut	24.7	N.cm	
A/F clamp nut	0.0000	mm	
Mating life	500	Cycles mini	
Weight	3.7400	g	

ENVIRONMENTAL

Operating temperature	-65/165	°C
Hermetic seal	NA	Atm.cm3/s
Panel leakage	NA	

SPECIFICATION

CABLE ASSEMBLY

Stripping	a	b	c	d	e	f
mm	2	0	7.6	0	5.6	0

Assembly instruction:

Recommended cable(s)

Characteristics indicated on this data sheet are those that can be achieved with the highest performance cable. Intrinsic limitations of the cable may diminish the performance of the assembly

Cable retention

- pull off	N mini
- torque	N.cm

TOOLING

Part Number	Description	Hexagon
.	.	.

OTHER CHARACTERISTICS

X-ON Electronics

Largest Supplier of Electrical and Electronic Components

Click to view similar products for [RF Connectors / Coaxial Connectors](#) category:

Click to view products by [Radiall](#) manufacturer:

Other Similar products are found below :

[8915-1511-000](#) [89674-0827](#) [6001-7071-019](#) [6002-7051-003](#) [6002-7551-202](#) [6059674-1](#) [619550-1](#) [630059-000](#) [M39030/3-01N](#) [6500-7071-046](#) [6769](#) [CX050L2AQ](#) [7002-1541-010](#) [7002-1542-011](#) [7004-1512-000](#) [7009-1511-004](#) [7010-1511-000](#) [7029-1511-060](#) [7101-1541-010](#) [7101-1571-002](#) [7145-1521-002](#) [7203-1571-003](#) [7209-1511-011](#) [7210-1511-015](#) [7210-1511-019](#) [73137-5015](#) [73216-2241](#) [73404-2300](#) [7405-1521-005](#) [7405-1521-802](#) [8527](#) [8547](#) [FS11V](#) [877931](#) [8808-1511-001](#) [9074-9513-000](#) [9101-9573-002](#) [910A205F](#) [9130-9573-002](#) [PL11SC-026](#) [PL375-33](#) [PL40-5](#) [PL74C-221](#) [PL75MC-217](#) [PL803-7](#) [1200690078](#) [1-201144-1](#) [R107003010W](#) [R110A172100](#) [R112186000](#)