

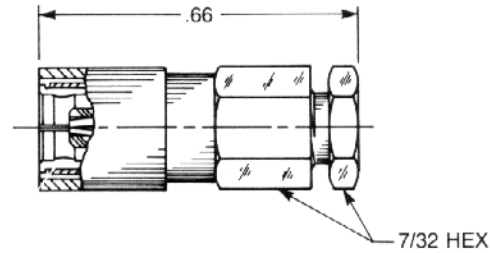
**STRAIGHT AND RIGHT ANGLE**

**Straight Female Cable Plug**

Clamp type for flexible cable:  
**2002-1551-0XX** (Gold plated)  
**2002-7551-0XX** (Nickel plated)

Solder-clamp for semi-rigid cable:  
**2002-1541-0XX** (Gold plated)  
**2002-7541-0XX** (Nickel plated)

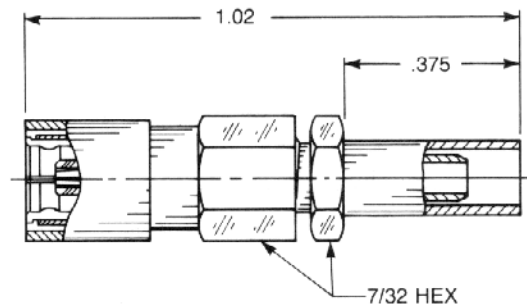
QPL version available (M39012/67)



**Straight Female Cable Plug**

Crimp type for flexible cable:  
**2002-1571-0XX** (Gold plated)  
**2002-7571-0XX** (Nickel plated)

QPL version available (M39012/67)

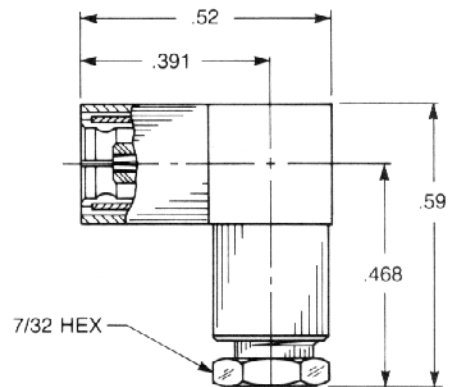


**Right Angle Female Cable Plug**

Clamp type for flexible cable:  
**2005-1551-0XX** (Gold plated)  
**2005-7551-0XX** (Nickel plated)

Solder-clamp for semi-rigid cable:  
**2005-1541-0XX** (Gold plated)  
**2005-7541-0XX** (Nickel plated)

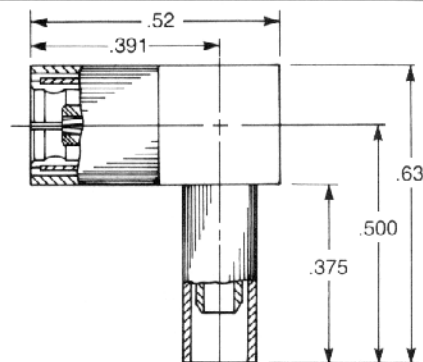
QPL version available (M39012/69)



**Right Angle Female Cable Plug**

Crimp type for flexible cable:  
**2105-1521-0XX** (Gold plated)  
**2105-7521-0XX** (Nickel plated)

QPL version available (M39012/69)



Substitute the appropriate cable group for 'XX':			
02	RG178, RG196, M17/93, M17/169	09	.141" semi-rigid, RG402, M17/130
03	RG174, RG179, RG316, M17/113, M17/119, M17/172, M17/173	10	.085" semi-rigid, RG405, M17/133
05	RG178DS, RG196DS	19	RG174DS, RG316DS, M17/152, Times RD316

## X-ON Electronics

Largest Supplier of Electrical and Electronic Components

*Click to view similar products for [RF Connectors / Coaxial Connectors](#) category:*

*Click to view products by [Radiall](#) manufacturer:*

Other Similar products are found below :

[8915-1511-000](#) [89674-0827](#) [6001-7071-019](#) [6002-7051-003](#) [6002-7551-202](#) [6059674-1](#) [619550-1](#) [630059-000](#) [M39030/3-01N](#) [6500-7071-046](#) [6769](#) [CX050L2AQ](#) [7002-1541-010](#) [7002-1542-011](#) [7004-1512-000](#) [7009-1511-004](#) [7010-1511-000](#) [7029-1511-060](#) [7101-1541-010](#) [7101-1571-002](#) [7145-1521-002](#) [7203-1571-003](#) [7209-1511-011](#) [7210-1511-015](#) [7210-1511-019](#) [73137-5015](#) [73216-2241](#) [73404-2300](#) [7405-1521-005](#) [7405-1521-802](#) [8527](#) [8547](#) [FS11V](#) [877931](#) [8808-1511-001](#) [9049-9513-000](#) [9074-9513-000](#) [9101-9573-002](#) [910A205F](#) [9130-9573-002](#) [PL11SC-026](#) [PL375-33](#) [PL40-5](#) [PL74C-221](#) [PL75MC-217](#) [PL803-7](#) [1200690078](#) [1-201144-1](#) [R107003010W](#) [R110A172100](#)