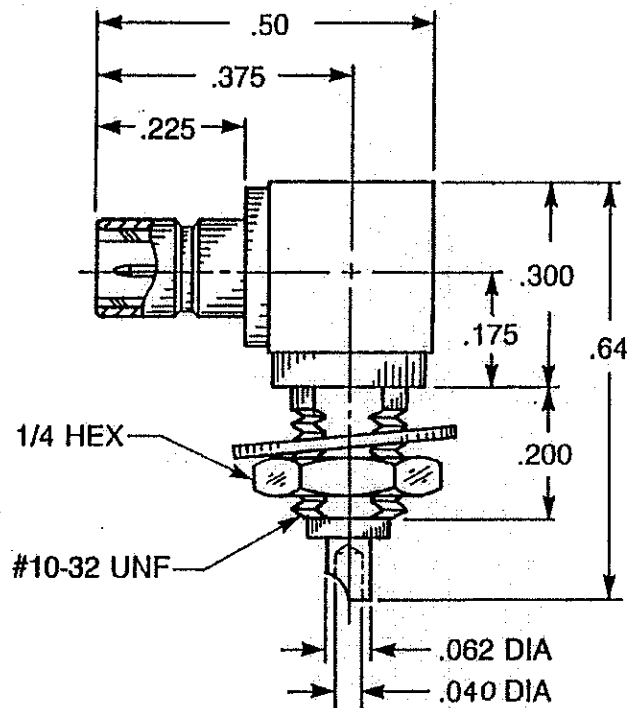


DESIGN SUBJECT TO CHANGE BY A. E. P.



NOTES: CONFORMS TO MIL-C-39012 SMB SERIES.

**MATERIAL:**

1. INSULATORS = TEFLON VIRGIN WHITE PER ASTM-D-1710.
2. LOCKWASHER = PHOSPHOR BRONZE PER QQ-B-750.
3. ALL OTHER METAL PARTS = BRASS 1/2 HARD PER QQ-B-626 ALLOY 360.

**FINISHES:**

1. CONTACTS = GOLD PLATE PER MIL-G-45204 TYPE II, CLASS I, GRADE C, OVER COPPER STRIKE PER MIL-C-14550.
2. ALL OTHER METAL PARTS = GOLD PLATE PER MIL-G-45204 TYPE II, CLASS 0, GRADE C, OVER COPPER STRIKE PER MIL-C-14550.

PROPRIETARY INFORMATION  
NOT TO BE RELEASED  
WITHOUT WRITTEN PERMISSION  
FROM AN AUTHORIZED  
REPRESENTATIVE OF  
APPLIED ENGINEERING PRODUCTS.

MALE SNAP-ON RIGHT ANGLE  
BULKHEAD CONNECTOR

APPLIED ENGINEERING PRODUCTS

104 John W. Murphy Drive, P.O. Box 510  
New Haven, CT 06513

CODE IDENT. **19505**

2012-1511-000

## X-ON Electronics

Largest Supplier of Electrical and Electronic Components

*Click to view similar products for [RF Connectors / Coaxial Connectors](#) category:*

*Click to view products by [Radiall](#) manufacturer:*

Other Similar products are found below :

[8915-1511-000](#) [89674-0827](#) [6001-7071-019](#) [6002-7051-003](#) [6002-7551-202](#) [6059674-1](#) [619550-1](#) [630059-000](#) [M39030/3-01N](#) [6500-7071-046](#) [6769](#) [CX050L2AQ](#) [7002-1541-010](#) [7002-1542-011](#) [7004-1512-000](#) [7009-1511-004](#) [7010-1511-000](#) [7029-1511-060](#) [7101-1541-010](#) [7101-1571-002](#) [7105-1521-002](#) [7145-1521-002](#) [7203-1571-003](#) [7209-1511-011](#) [7210-1511-015](#) [7210-1511-019](#) [73137-5015](#) [73216-2241](#) [73404-2300](#) [7405-1521-005](#) [7405-1521-802](#) [8527](#) [8547](#) [FS11V](#) [877931](#) [8808-1511-001](#) [9074-9513-000](#) [9101-9573-002](#) [910A205F](#) [9130-9573-002](#) [PL11SC-026](#) [PL375-33](#) [PL40-5](#) [PL74C-221](#) [PL75MC-217](#) [PL803-7](#) [1200690078](#) [1-201144-1](#) [R107003010W](#) [R110A172100](#)