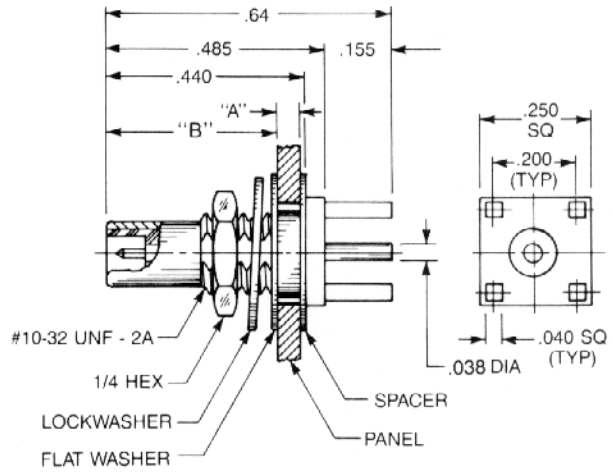




FLOAT MOUNT / BLIND MATE

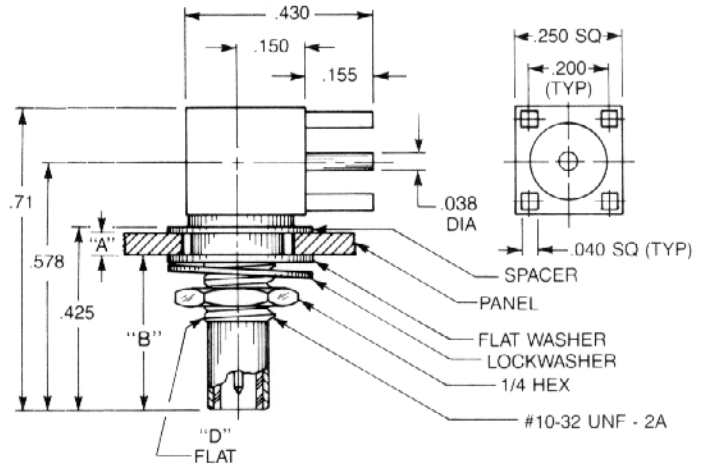
**Float Mount
Straight Male Jack
P.C. Board Receptacle**

Dim. A	Dim. B	Part Number	Plating
.031	.380	3109-1511-500	(Gold plated)
		3109-7511-500	(Nickel plated)
.062	.349	3109-1511-600	(Gold plated)
		3109-7511-600	(Nickel plated)
.093	.318	3109-1511-700	(Gold plated)
		3109-7511-700	(Nickel plated)



**Float Mount
Right Angle Male Jack
P.C. Board Receptacle**

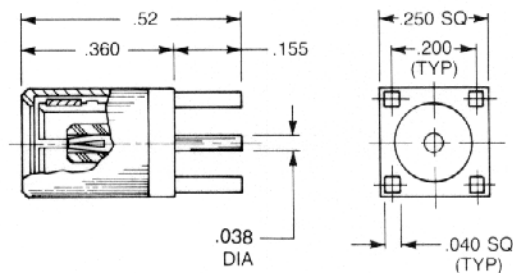
Dim. A	Dim. B	Part Number	Plating
.031	.365	3110-1511-500	(Gold plated)
		3110-7511-500	(Nickel plated)
.062	.334	3110-1511-600	(Gold plated)
		3110-7511-600	(Nickel plated)
.093	.303	3110-1511-700	(Gold plated)
		3110-7511-700	(Nickel plated)



**Straight Female Plug
P.C. Board Receptacle**

- Closed-entry mating end hood

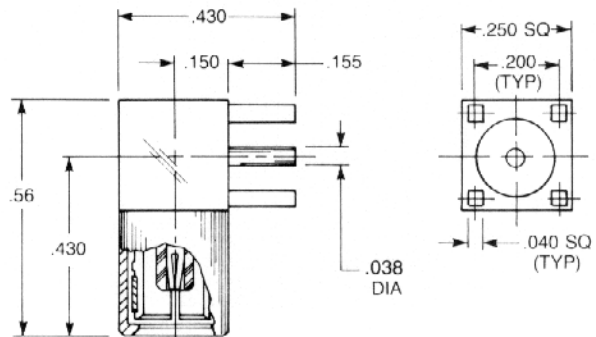
3025-1511-005 (Gold plated)
3025-7511-005 (Nickel plated)



**Right Angle Female Plug
P.C. Board Receptacle**

- Closed-entry mating end hood

3042-1511-006 (Gold plated)
3042-7511-006 (Nickel plated)



X-ON Electronics

Largest Supplier of Electrical and Electronic Components

Click to view similar products for [RF Connectors / Coaxial Connectors](#) category:

Click to view products by [Radiall](#) manufacturer:

Other Similar products are found below :

[8915-1511-000](#) [89674-0827](#) [6001-7071-019](#) [6002-7051-003](#) [6002-7551-202](#) [6059674-1](#) [619550-1](#) [630059-000](#) [M39030/3-01N](#) [6500-7071-046](#) [6769](#) [CX050L2AQ](#) [7002-1541-010](#) [7002-1542-011](#) [7004-1512-000](#) [7009-1511-004](#) [7010-1511-000](#) [7029-1511-060](#) [7101-1541-010](#) [7101-1571-002](#) [7145-1521-002](#) [7203-1571-003](#) [7209-1511-011](#) [7210-1511-015](#) [7210-1511-019](#) [73137-5015](#) [73216-2241](#) [73404-2300](#) [7405-1521-005](#) [7405-1521-802](#) [8527](#) [8547](#) [FS11V](#) [877931](#) [8808-1511-001](#) [9049-9513-000](#) [9074-9513-000](#) [9101-9573-002](#) [910A205F](#) [9130-9573-002](#) [PL11SC-026](#) [PL375-33](#) [PL40-5](#) [PL74C-221](#) [PL75MC-217](#) [PL803-7](#) [980-8666-005](#) [1200690078](#) [1-201144-1](#) [R107003010W](#)