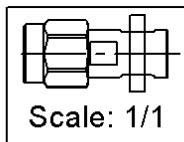
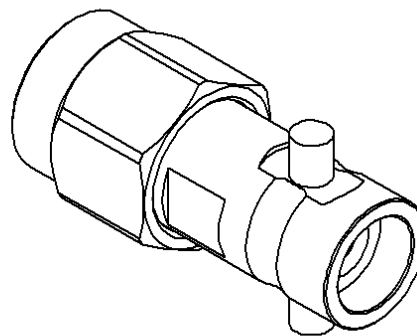
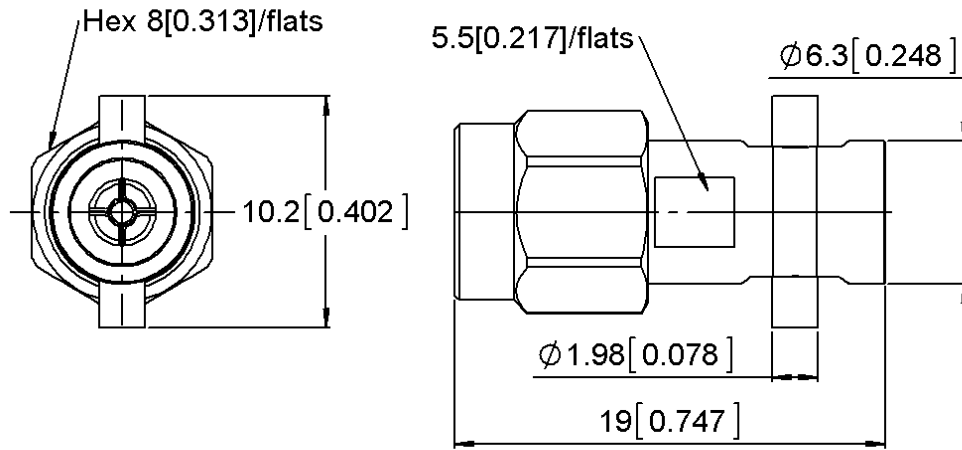
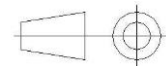


PAGE 1/2	ISSUE 07-05-18C	SERIES ADAPTER	PART NUMBER 5914-9503-000
----------	-----------------	----------------	---------------------------



All dimensions are in mm. Tolerances according ISO 2768 m-H



COMPONENTS	MATERIALS	PLATING (μm)
Body	STAINLESS STEEL	PASSIVATED
Center contact	BERYLLIUM COPPER	NPGR
Outer contact	BRASS	GOLD 0.2 OVER NICKEL 2
Insulator	KAPTON	
Gasket	SILICONE RUBBER	
Others parts	STAINLESS STEEL, BRASS	PASSIVATED , NICKEL 2
-	-	-
-	-	-

PAGE 2/2	ISSUE 07-05-18C	SERIES ADAPTER	PART NUMBER 5914-9503-000
-----------------	------------------------	--------------------------	----------------------------------

PACKAGING

Standard	Unit	Other
1	Contact us	Contact us

ELECTRICAL CHARACTERISTICS

Impedance		50	Ω
Frequency		0-26	GHz
VSWR	1.1 +	0.0000	x F(GHz) Maxi
Insertion loss		0.06	\sqrt{F} (GHz) dB Maxi
RF leakage	- (60	- F(GHz)) dB Maxi
Voltage rating		500	Veff Maxi
Dielectric withstanding voltage		1000	Veff mini
Insulation resistance		5000	M Ω mini

ENVIRONMENTAL

Operating	-65/+165	$^{\circ}\text{C}$
Hermetic seal	N/A	Atm.cm3/s
Panel leakage	N/A	

MECHANICAL CHARACTERISTICS

Center contact retention			
Axial force – Mating End		27	N mini
Axial force – Opposite end		27	N mini
Torque		N/A	N.cm mini
Recommended torque			
Mating	SMA	100	N.cm
	QCD	0	N.cm
		0	N.cm
Panel nut		N/A	N.cm
Mating life		5000	Cycles mini
Weight		4.2470	g

SPECIFICATION

OTHER CHARACTERISTICS

X-ON Electronics

Largest Supplier of Electrical and Electronic Components

Click to view similar products for [RF Adapters - In Series](#) category:

Click to view products by [Radiall](#) manufacturer:

Other Similar products are found below :

[5916-1103-603](#) [5919-1503-000](#) [651A505](#) [82-5552](#) [9030-9523-502](#) [PN2C](#) [A0407000](#) [R114703000W](#) [R125771001](#) [R141710000W](#)
[R141723161](#) [R141730000](#) [R143730700](#) [R143770000](#) [R161703000W](#) [R161753000W](#) [R161791530W](#) [R201705000](#) [R222705200](#)
[R222M40010W](#) [R223703180](#) [R316754000](#) [R405006000](#) [R443162000](#) [AD78TL](#) [HRM-513S](#) [1996352-2](#) [2157155-1](#) [252169-75](#) [AD158](#)
[2101130-1](#) [252186](#) [R114704000W](#) [R114720000W](#) [R125705001](#) [R125705701](#) [R125771000](#) [R125771001W](#) [R127704001](#) [R127.870.001](#)
[R127872001](#) [R141717000](#) [R142710000](#) [R142723000](#) [R143703000](#) [R143704000](#) [R143705700](#) [R161715000W](#) [R161771000W](#) [R176754000](#)