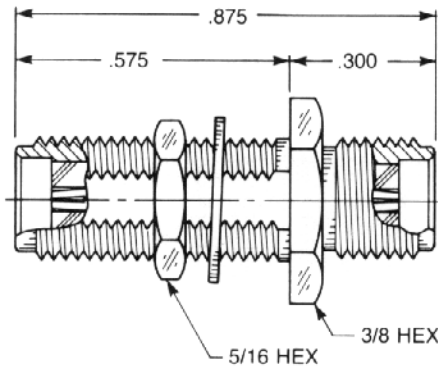


### Straight Jack To Jack Adapter

- Connects two plugs

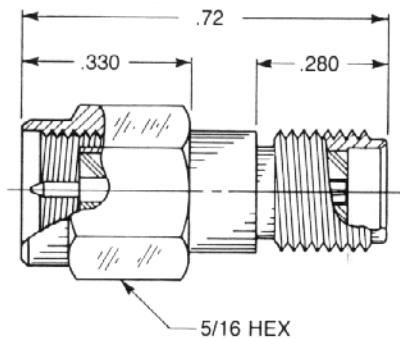
Captive contact:  
5917-1103-000 (Gold plated)  
5917-9103-000 (Passivated)



### Straight Bulkhead Mounted Jack To Jack Adapter

- Connects two plugs

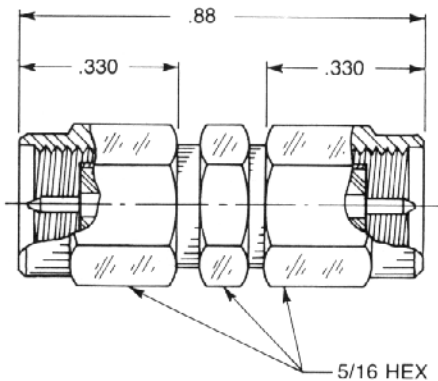
Captive contact:  
5909-1103-000 (Gold plated)  
5909-9103-000 (Passivated)



### Straight Jack To Plug Adapter

- Prevents damage to equipment-mounted jacks during frequent mating and unmating

Captive contact:  
5916-1103-603 (Gold plated)  
5916-9103-603 (Passivated)



### Straight Plug To Plug Adapter

- Connects two jacks

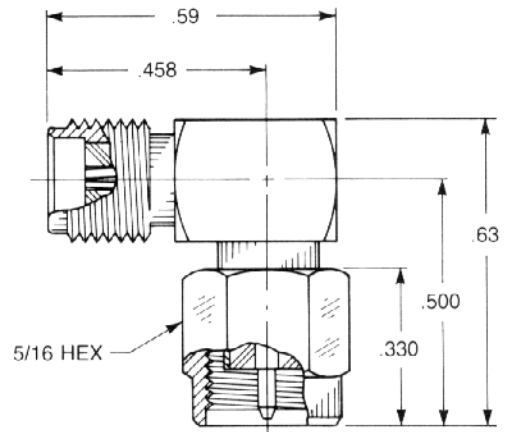
Captive contact:  
5918-1103-000 (Gold plated)  
5918-9103-000 (Passivated)

### Right Angle Jack To Plug Adapter

- Connects one jack and one plug

5919-1503-000 (Gold plated)

5919-9503-000 (Passivated)

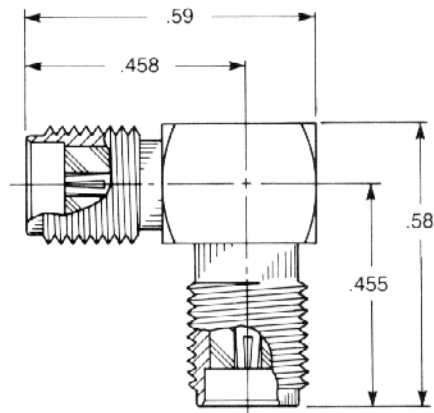


### Right Angle Jack To Jack Adapter

- Connects two plugs

5919-1503-003 (Gold plated)

5919-9503-003 (Passivated)

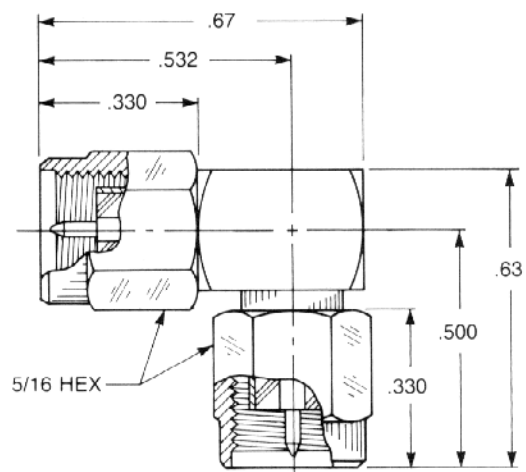


### Right Angle Plug To Plug Adapter

- Connects two jacks

5919-1503-001 (Gold plated)

5919-9503-001 (Passivated)



## X-ON Electronics

Largest Supplier of Electrical and Electronic Components

*Click to view similar products for [RF Adapters - In Series](#) category:*

*Click to view products by [Radiall](#) manufacturer:*

Other Similar products are found below :

[5916-1103-603](#) [5918-1103-000](#) [5919-1503-000](#) [651A505](#) [9030-9523-502](#) [PN2C](#) [A0407000](#) [R114703000W](#) [R125704000](#) [R125771001](#)  
[R141710000W](#) [R141723161](#) [R141730000](#) [R143730700](#) [R143770000](#) [R161703000W](#) [R161753000W](#) [R161791530W](#) [R201705000](#)  
[R222705200](#) [R222M40010W](#) [R316754000](#) [R405006000](#) [R443162000](#) [AD78TL](#) [HRM-513S](#) [1996352-2](#) [2157155-1](#) [252169-75](#) [AD158](#)  
[2101130-1](#) [252186](#) [R114704000W](#) [R114720000W](#) [R125705001](#) [R125705701](#) [R125771000](#) [R125771001W](#) [R127704001](#) [R127.870.001](#)  
[R127872001](#) [R141717000](#) [R142710000](#) [R142723000](#) [R143703000](#) [R143704000](#) [R143705700](#) [R161715000W](#) [R161771000W](#) [R176754000](#)