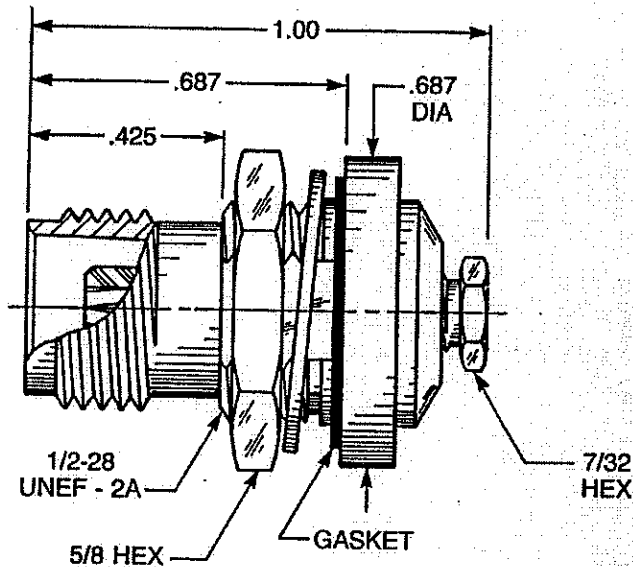


DESIGN SUBJECT TO CHANGE BY A. E. P.



NOTES: CONFORMS TO MIL-C-39012 TNC SERIES

MATERIAL:

1. INSULATORS = TEFLON VIRGIN WHITE PER ASTM-D-1710.
2. CONTACT = BERYLLIUM COPPER PER QQ-C530.
3. GASKET = SILICON RUBBER PER ZZ-R-765 CLASS 2B, GRADE 65-75.
4. LOCKWASHER = PHOSPHOR BRONZE QQ-B-750.
5. CONTACT ADAPTER & ALL OTHER METAL PARTS = BRASS 1/2 HARD PER QQ-B-626, ALLOY 360.

FINISHES:

1. CONTACTS = GOLD PLATE PER MIL-G-45204 TYPE II, CLASS I, GRADE C, OVER COPPER STRIKE PER MIL-C-14550.
2. ALL OTHER METAL PARTS = NICKEL PLATE PER QQ-N-290 CLASS I, GRADE G, OVER COPPER FLASH PER MIL-C-14550.

PROPRIETARY INFORMATION  
NOT TO BE RELEASED  
WITHOUT WRITTEN PERMISSION  
FROM AN AUTHORIZED  
REPRESENTATIVE OF  
APPLIED ENGINEERING PRODUCTS.

TNC FEMALE  
BULKHEAD MOUNT  
REAR MOUNT  
FOR USE WITH RG316, 188, 179 CABLES

APPLIED ENGINEERING PRODUCTS

104 John W. Murphy Drive, P.O. Box 510  
New Haven, CT 06513

CODE IDENT. **19505**

6001-7051-003

## X-ON Electronics

Largest Supplier of Electrical and Electronic Components

*Click to view similar products for [RF Connectors / Coaxial Connectors](#) category:*

*Click to view products by [Radiall](#) manufacturer:*

Other Similar products are found below :

[8915-1511-000](#) [89674-0827](#) [6001-7071-019](#) [6002-7051-003](#) [6002-7551-202](#) [6059674-1](#) [619550-1](#) [630059-000](#) [M39030/3-01N](#) [6500-7071-046](#) [6769](#) [CX050L2AQ](#) [7002-1541-010](#) [7002-1542-011](#) [7004-1512-000](#) [7009-1511-004](#) [7010-1511-000](#) [7029-1511-060](#) [7101-1541-010](#) [7101-1571-002](#) [7105-1521-002](#) [7145-1521-002](#) [7203-1571-003](#) [7209-1511-011](#) [7210-1511-015](#) [7210-1511-019](#) [73137-5015](#) [73216-2241](#) [73404-2300](#) [7405-1521-005](#) [7405-1521-802](#) [8527](#) [8547](#) [FS11V](#) [877931](#) [8808-1511-001](#) [9074-9513-000](#) [9101-9573-002](#) [910A205F](#) [9130-9573-002](#) [PL11SC-026](#) [PL375-33](#) [PL40-5](#) [PL74C-221](#) [PL75MC-217](#) [PL803-7](#) [1200690078](#) [1-201144-1](#) [R107003010W](#) [R110A172100](#)