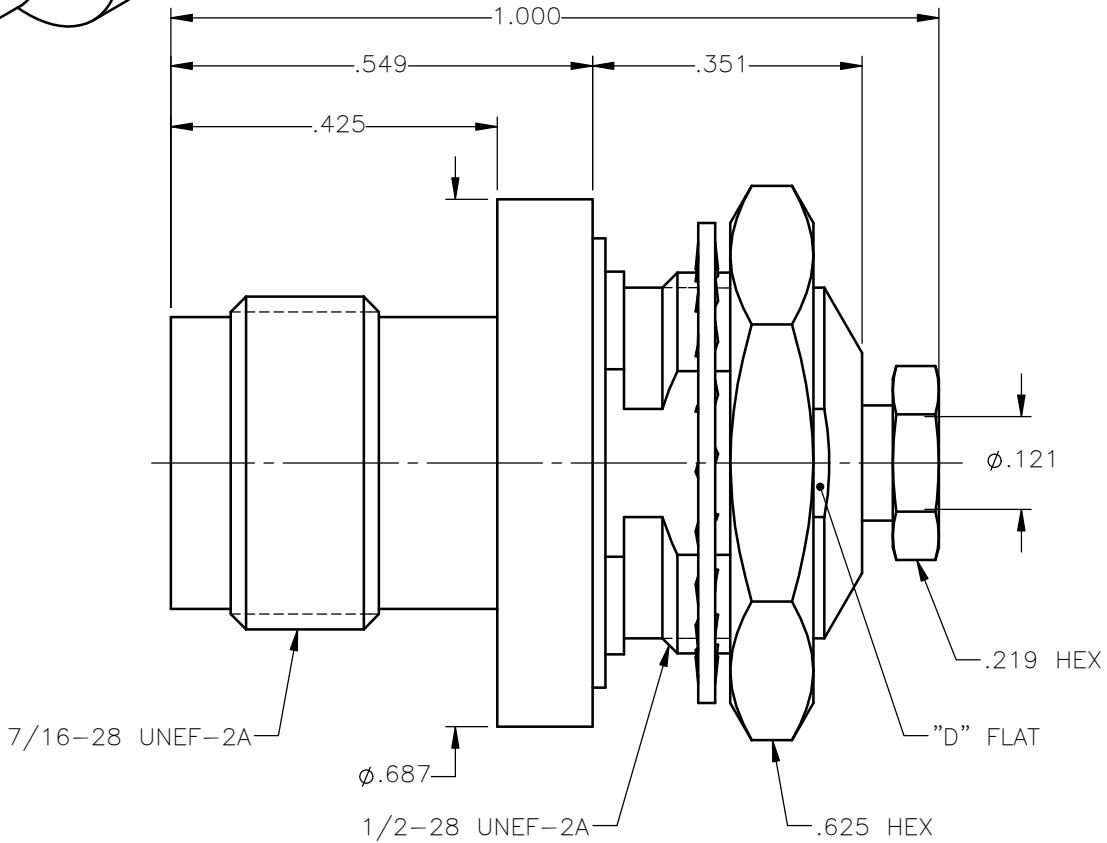


| REVISIONS |                 |          |          |
|-----------|-----------------|----------|----------|
| REV.      | DESCRIPTION     | DATE     | APPROVED |
| A         | INITIAL RELEASE | 04/15/14 | D.N.     |





NOTES:

MATERIALS:

1. CONTACT = BERYLLIUM COPPER PER ASTM B196, ALLOY C17300, TEMPER TD04.
2. INSULATORS = VIRGIN WHITE TEFLON PER ASTM D1710, GRADE 1, TYPE I, CLASS "B".
3. LOCKWASHER = PHOSPHOR BRONZE PER ASTM B139, COPPER ALLOY C53400, TEMPER H04.
4. GASKET = SILICONE RUBBER 45-55 DUROMETER DOW CORNING SILASTIC 250.
5. ALL OTHER METAL PARTS = BRASS PER ASTM B16, ALLOY C36000, TEMPER H02.

FINISHES:

1. SOLDER FITTING = GOLD PLATE PER ASTM B488-01, TYPE II, 30 $\mu$ in MIN, GRADE C, OVER 100 TO 200 $\mu$ in COPPER STRIKE PER MIL-C-14550.
2. CONTACT & WIRE ADAPTER = GOLD PLATE PER ASTM B488-01, TYPE II, 50 $\mu$ in MIN, GRADE C, OVER 100 TO 200 $\mu$ in STRESS FREE SULFAMATE NICKEL PER QQ-N-290.
3. ALL OTHER METAL PARTS = NICKEL PLATE PER QQ-N-290, 50 $\mu$ in MIN, GRADE G, EXCEPT 100 TO 200 $\mu$ in THICK OVER 50 TO 100 $\mu$ in THICK COPPER PER MIL-C-14550.

|   |                       |          |  |   |               |              |
|---|-----------------------|----------|--|---|---------------|--------------|
| UNLESS OTHERWISE SPECIFIED<br>DIMENSIONS ARE IN INCHES<br>TOLERANCES ON | DWN:                  | DATE     |  <b>Property of Radiall</b><br>This document cannot be reproduced or<br>communicated to a third party without prior<br>written permission of RADIALL. |                                      |               |              |
|   | D.N.                  | 04/15/14 |  |   |               |              |
| DECIMAL   | ANGLE                 | CHKD:    | DATE   | <b>TNC STRAIGHT JACK BULKHEAD<br/>         FRONT MOUNT CLAMP SOLDER TYPE<br/>         FOR .085 S/R AND SIMILAR CABLES</b> |               |              |
|   |                       | J.S.     | 04/15/14   |   |               |              |
|   |                       | APVD:    | DATE   |   |               |              |
|   |                       | J.M.     | 04/15/14   |   |               |              |
| REFERENCE:  | MATERIALS & FINISHES: |          | SIZE   | FSCM NO.  | DWG NO.       | REV          |
| ORIGINATED: D.N.<br>DATE: 04/15/14                                      | SEE NOTES             |          | A  | 19505   | 6002-7041-010 | A            |
|   |                       |          | SCALE 4:1  | THIRD ANGLE PROJECTION  |               | SHEET 1 OF 1 |

6002-7041-010

## X-ON Electronics

Largest Supplier of Electrical and Electronic Components

*Click to view similar products for [RF Adapters - In Series category:](#)*

*Click to view products by [Radiall manufacturer:](#)*

Other Similar products are found below :

[5916-1103-603](#) [5918-1103-000](#) [5919-1503-000](#) [651A505](#) [82-5552](#) [9030-9523-502](#) [PN2C](#) [A0407000](#) [R114703000W](#) [R125771001](#)  
[R141710000W](#) [R141723161](#) [R141730000](#) [R143730700](#) [R143770000](#) [R161703000W](#) [R161753000W](#) [R161791530W](#) [R201705000](#)  
[R222705200](#) [R222M40010W](#) [R223703180](#) [R316754000](#) [R405006000](#) [R443162000](#) [AD78TL](#) [HRM-513S](#) [1996352-2](#) [2157155-1](#) [252169-75](#)  
[AD158](#) [2101130-1](#) [252186](#) [R114704000W](#) [R114720000W](#) [R125705001](#) [R125705701](#) [R125771000](#) [R125771001W](#) [R127704001](#)  
[R127.870.001](#) [R127872001](#) [R141717000](#) [R142710000](#) [R142723000](#) [R143703000](#) [R143704000](#) [R143705700](#) [R161715000W](#) [R161771000W](#)